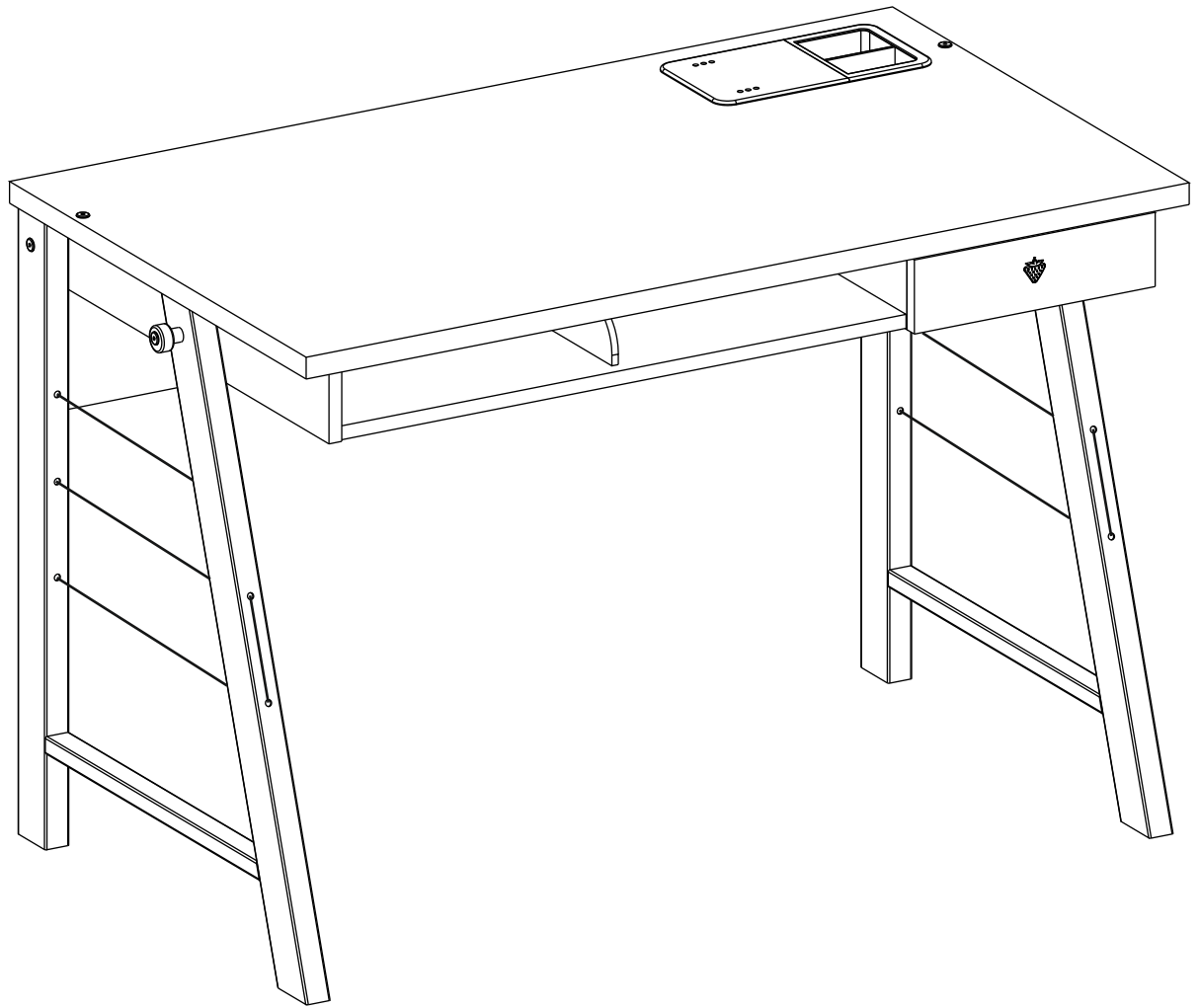
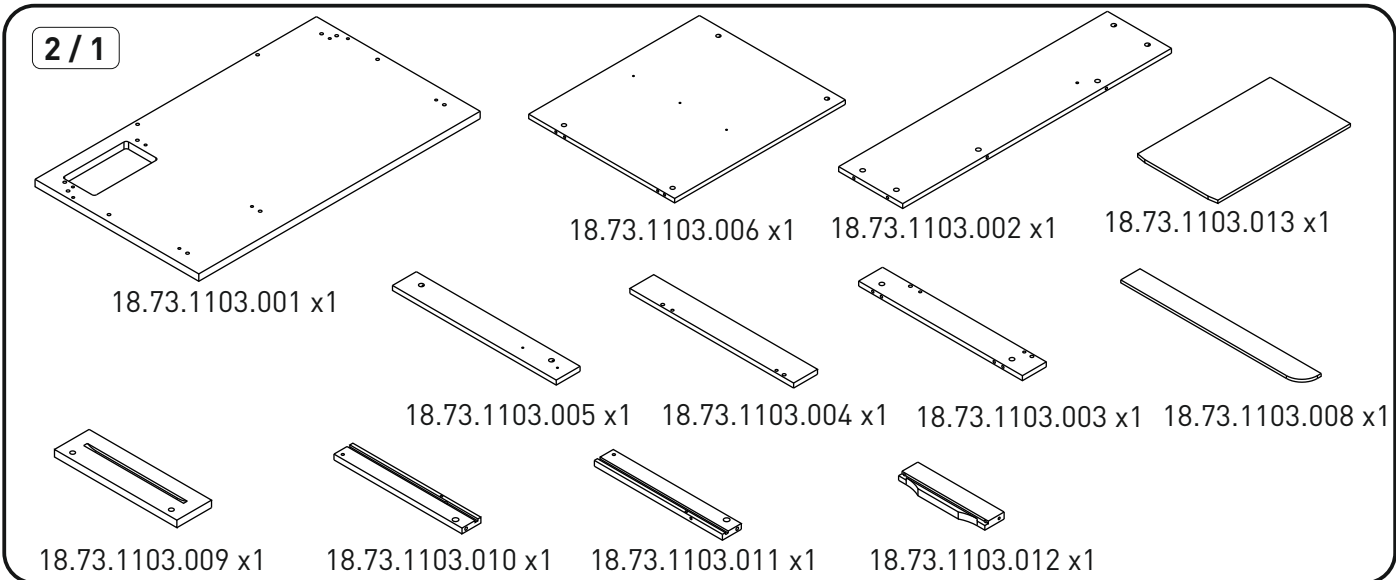
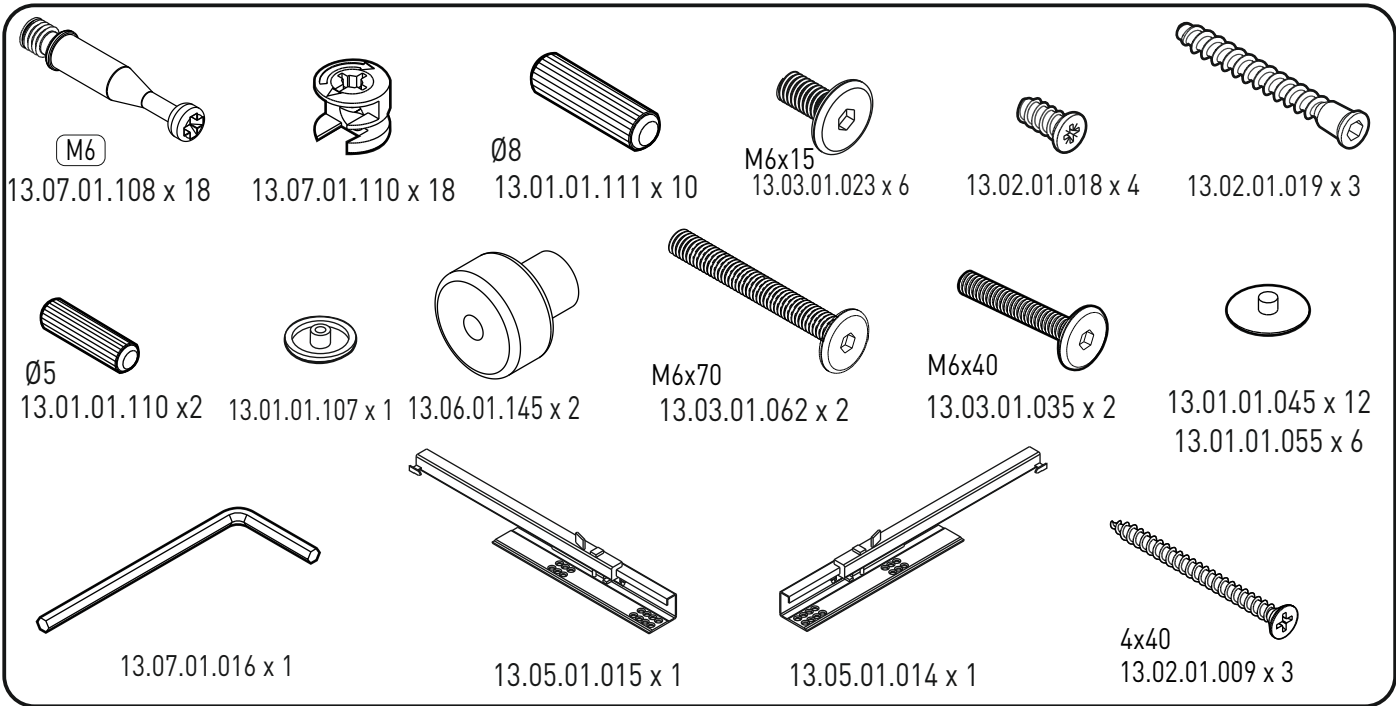
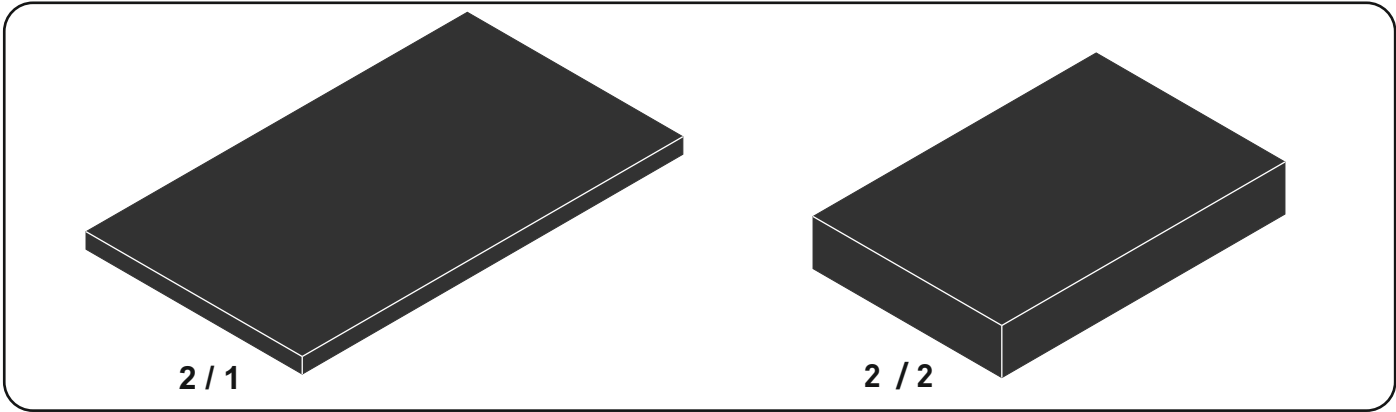
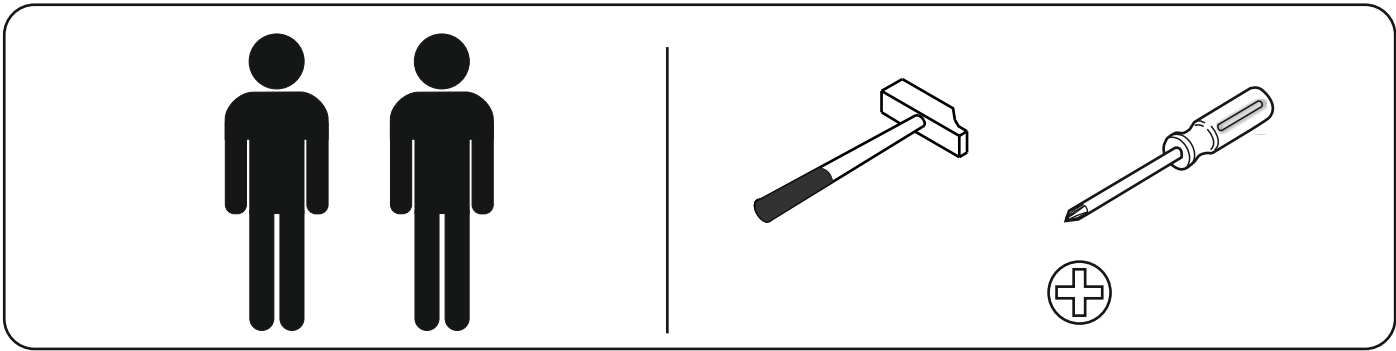
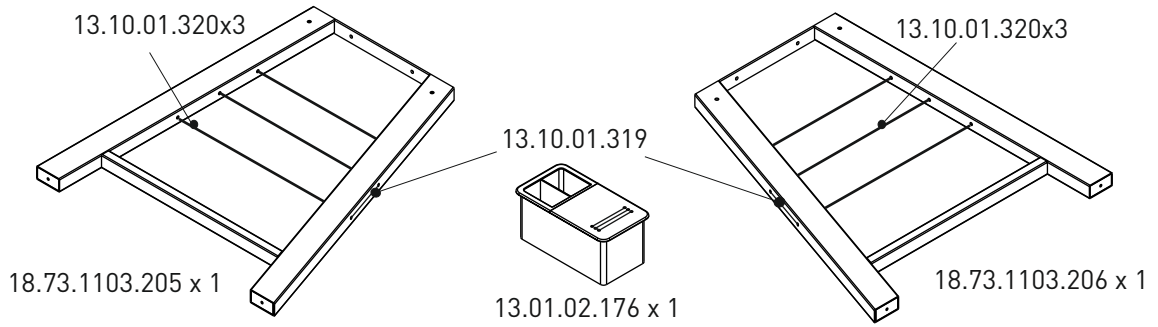


20.73.1103.00

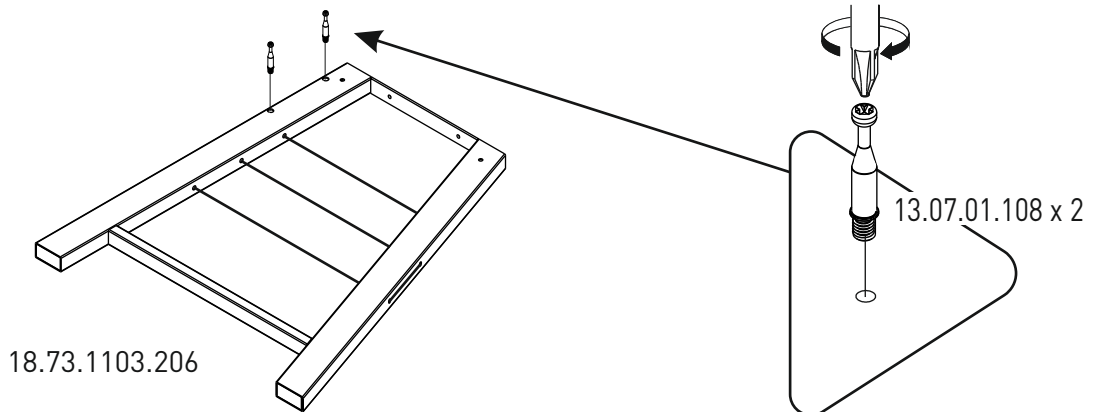




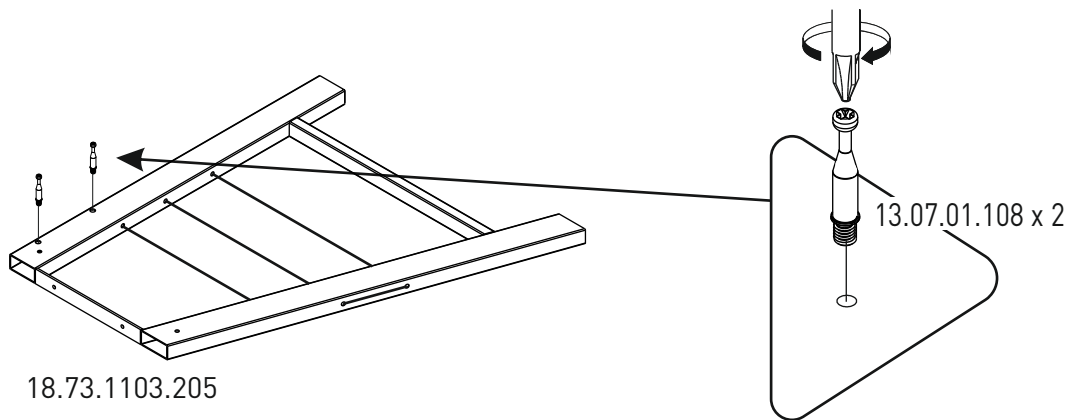
2/2



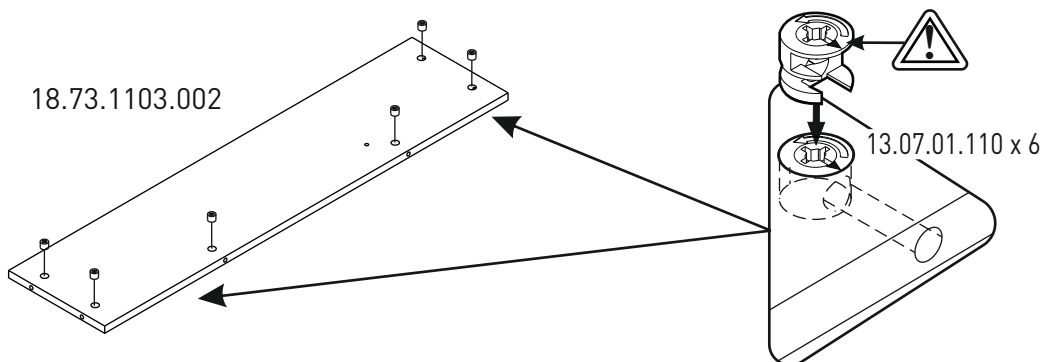
1

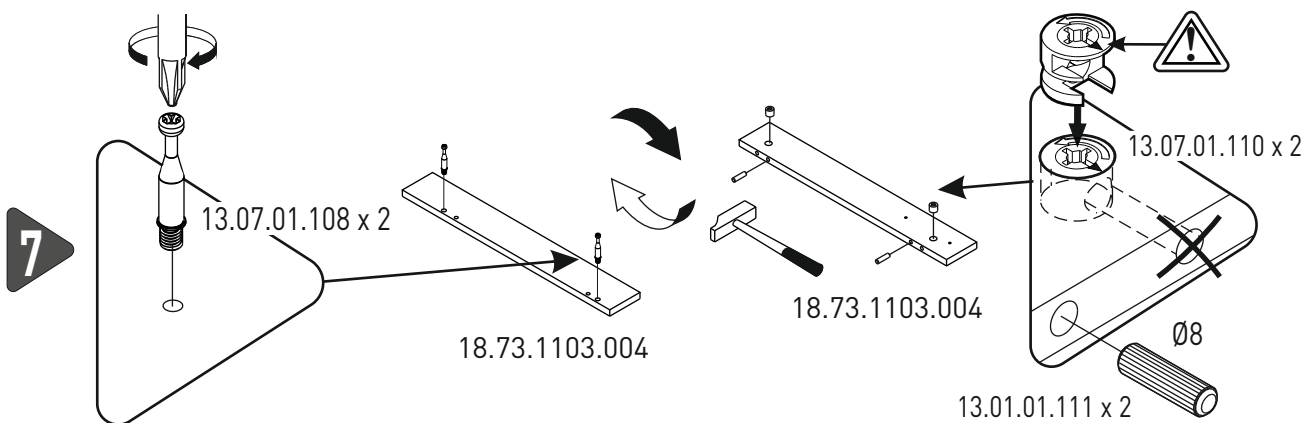
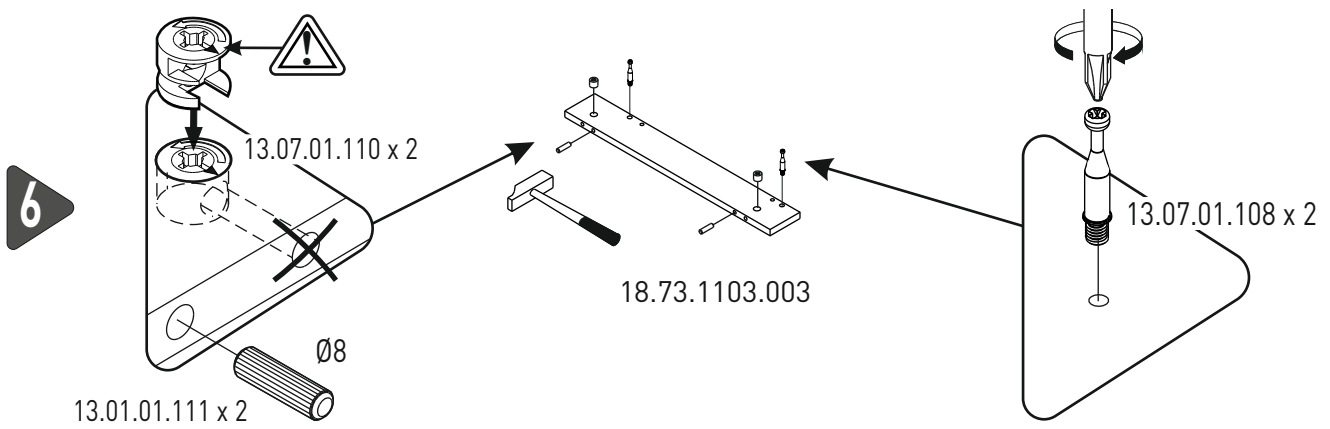
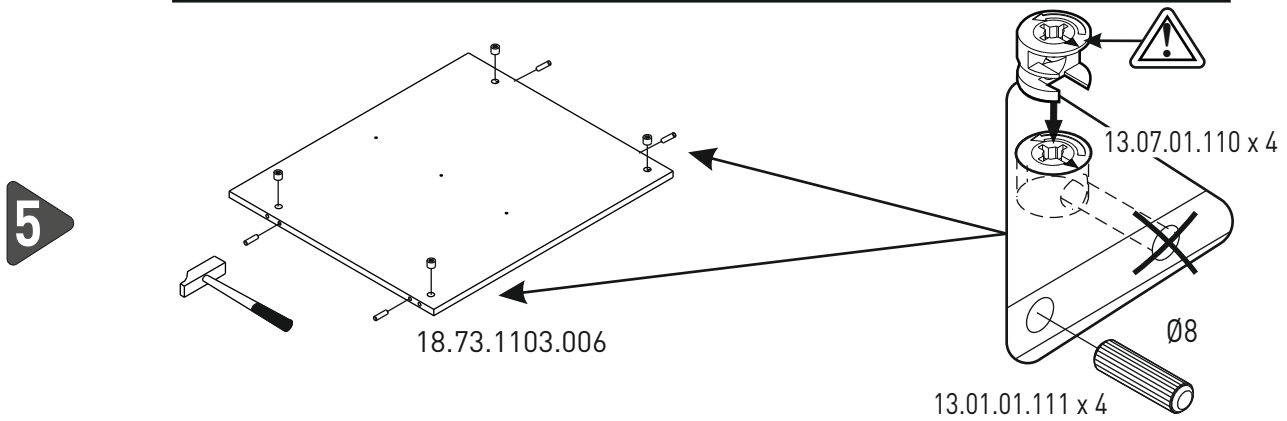
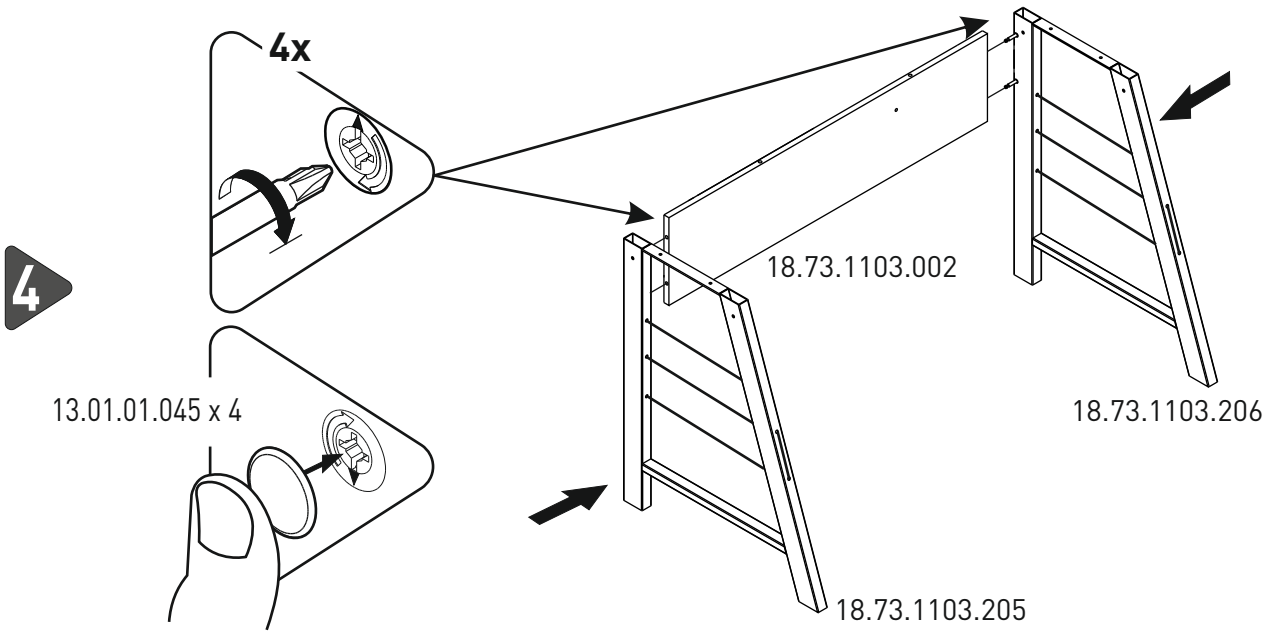


2

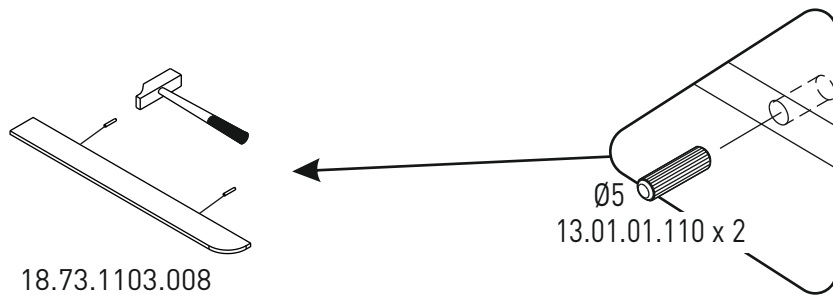


3

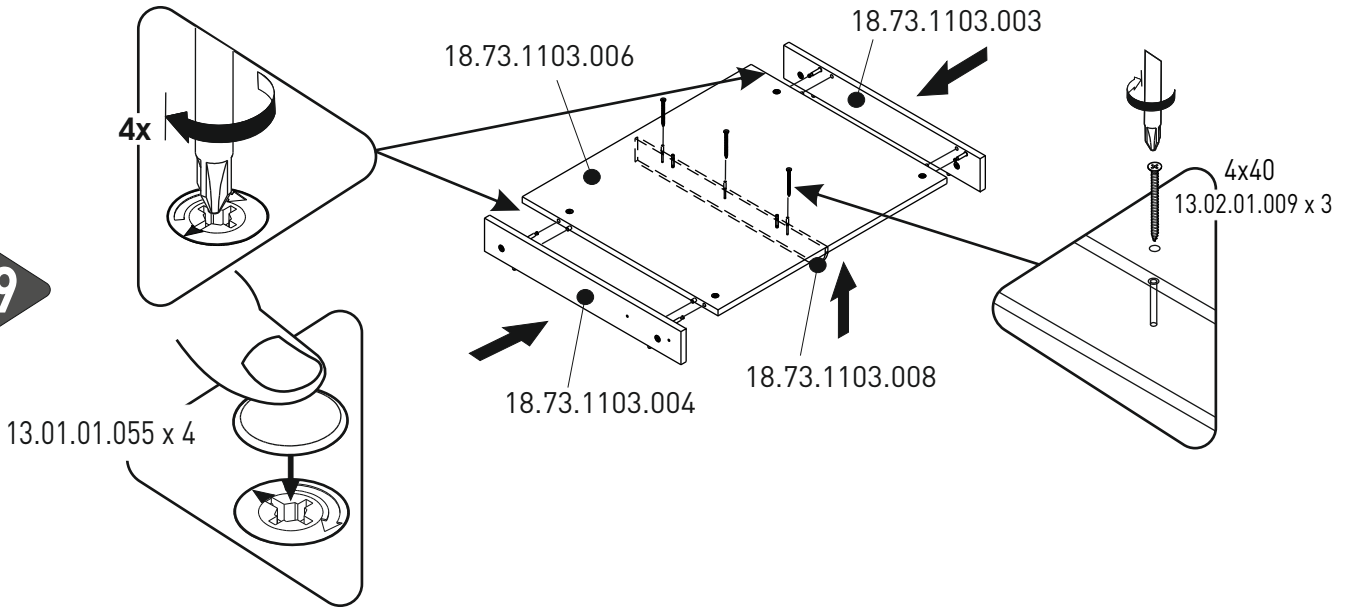




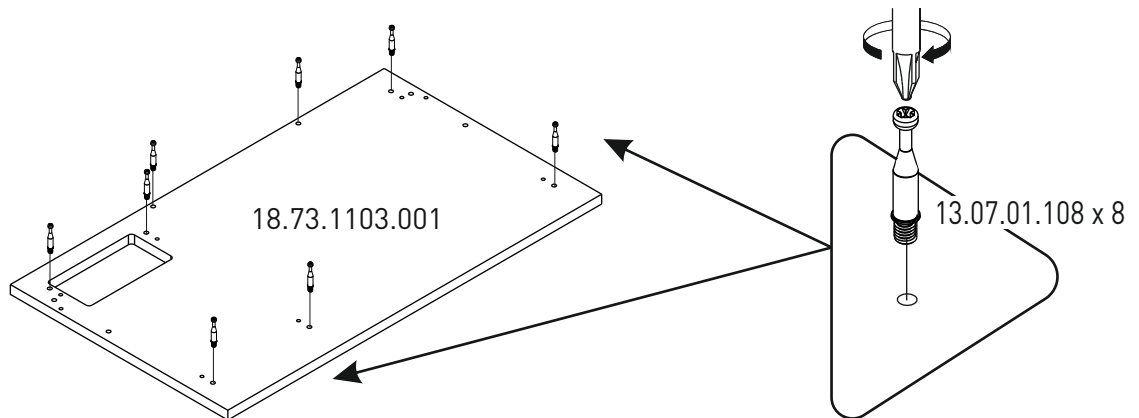
8



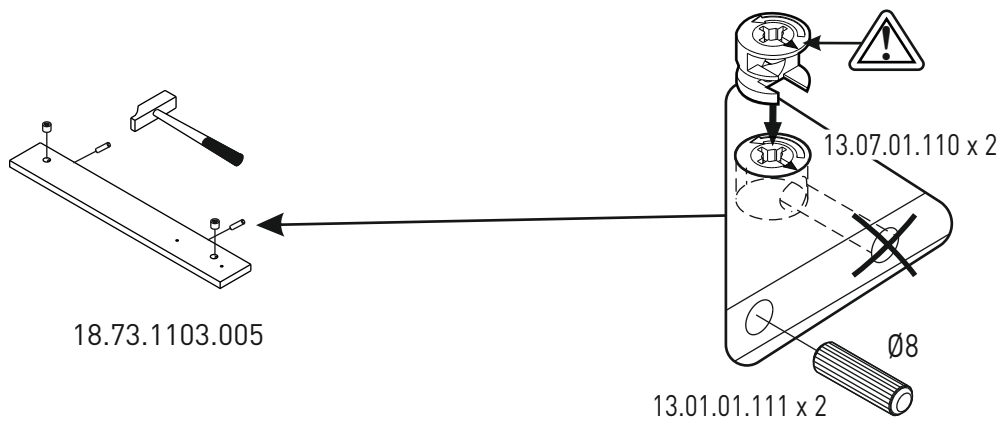
9



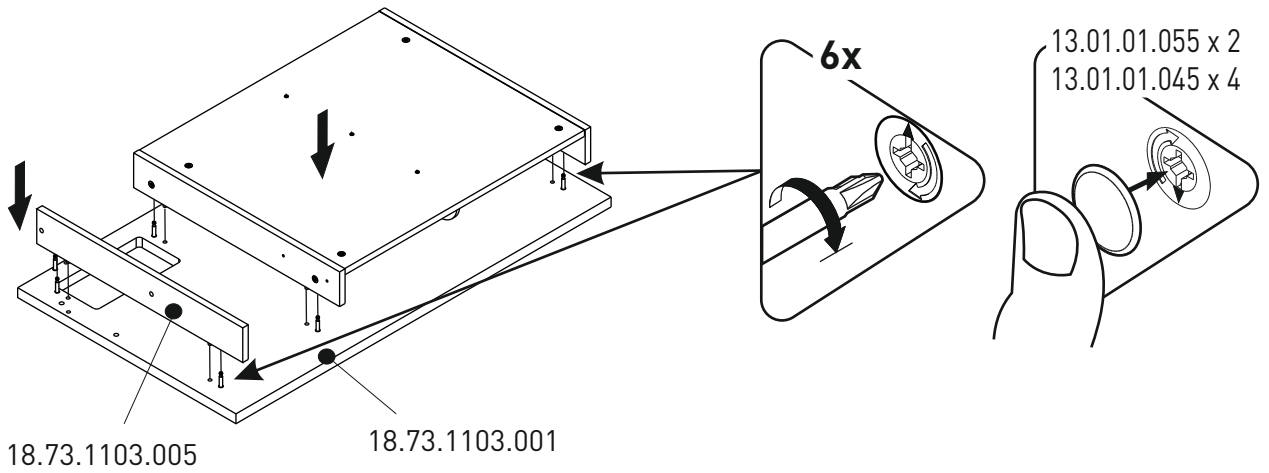
10



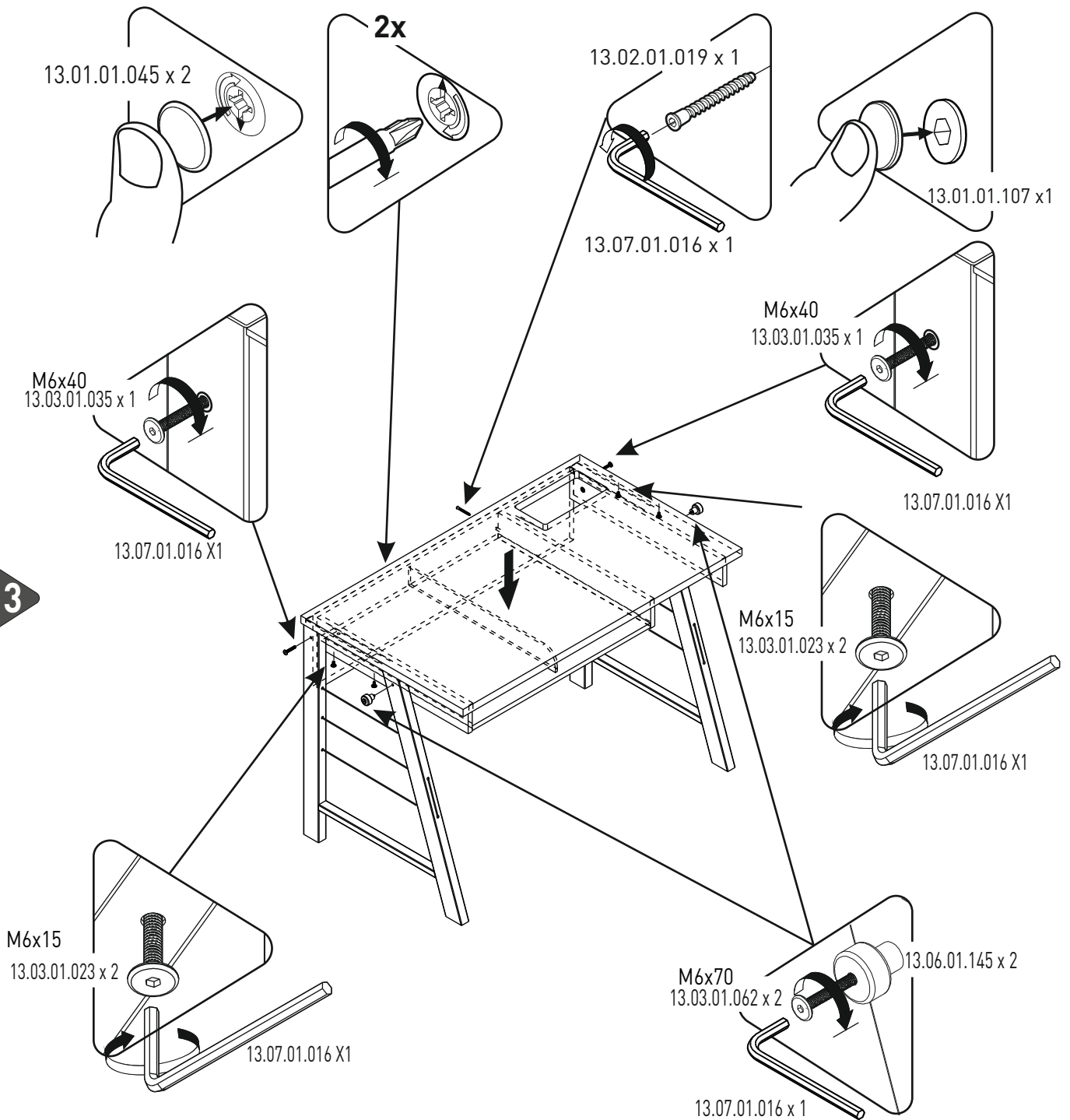
11



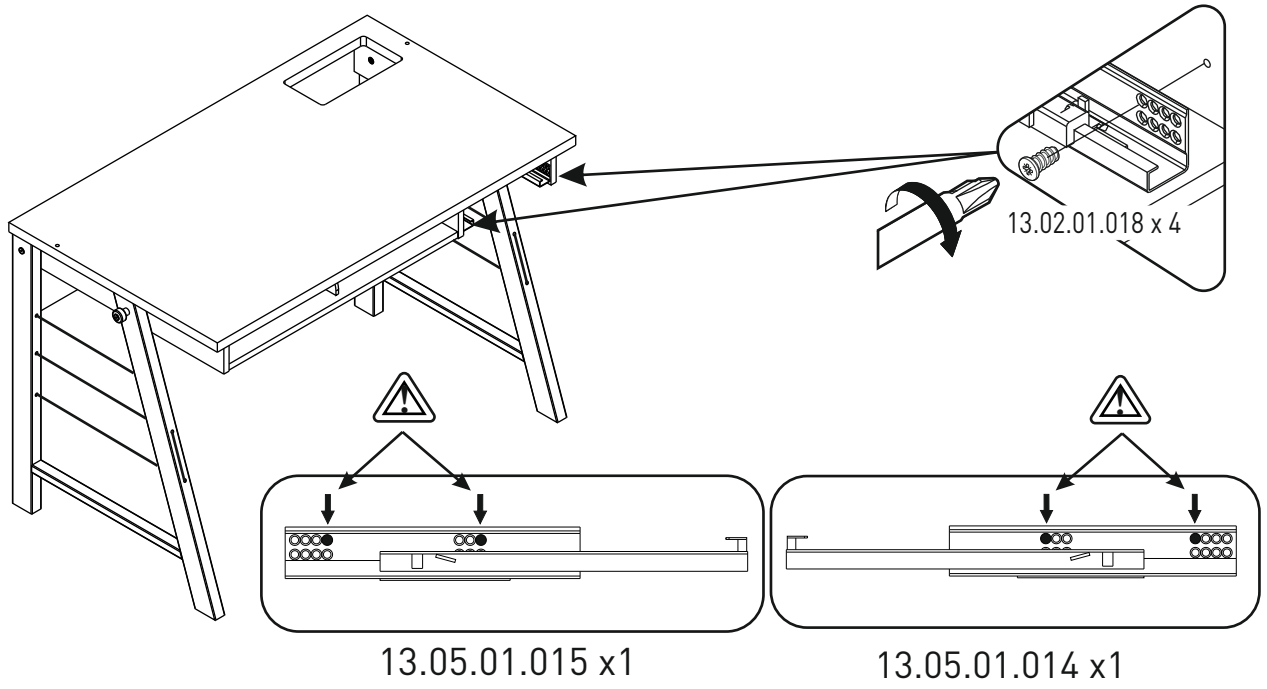
12



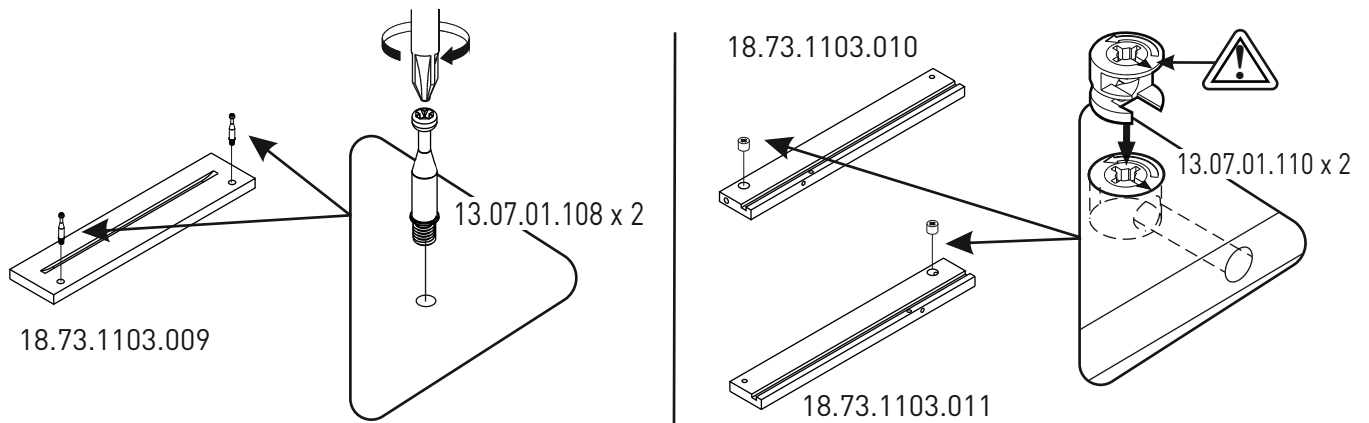
13



14



15



16

