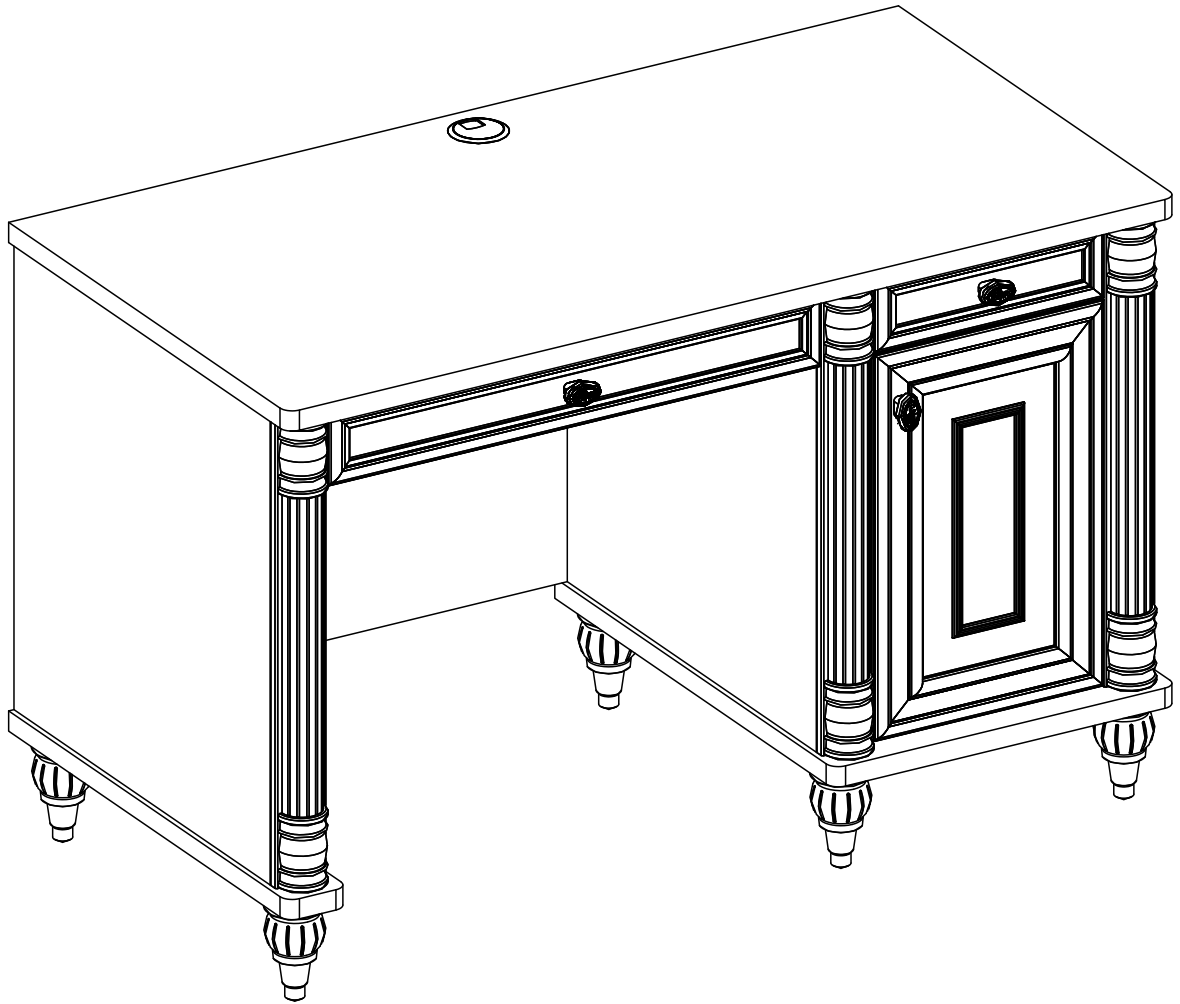
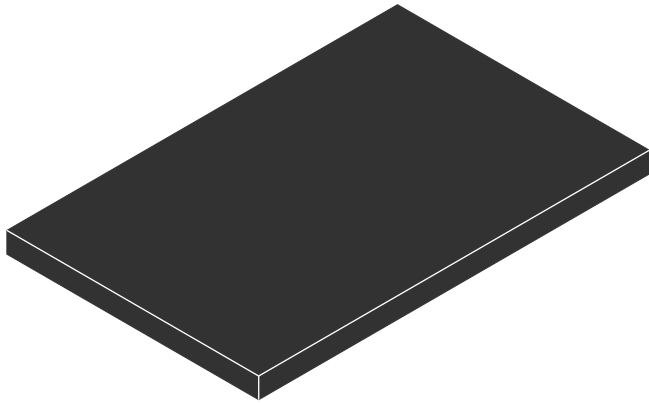
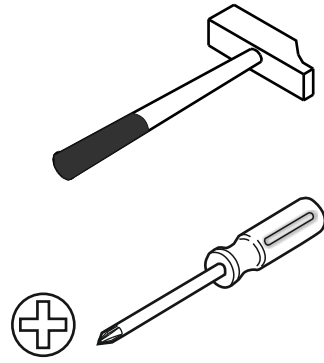
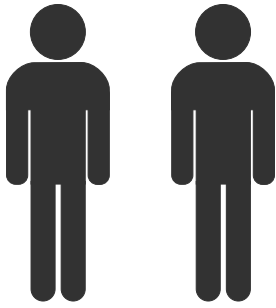
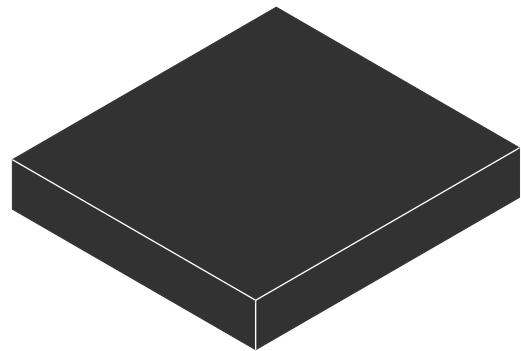


**20.21.1105.00**

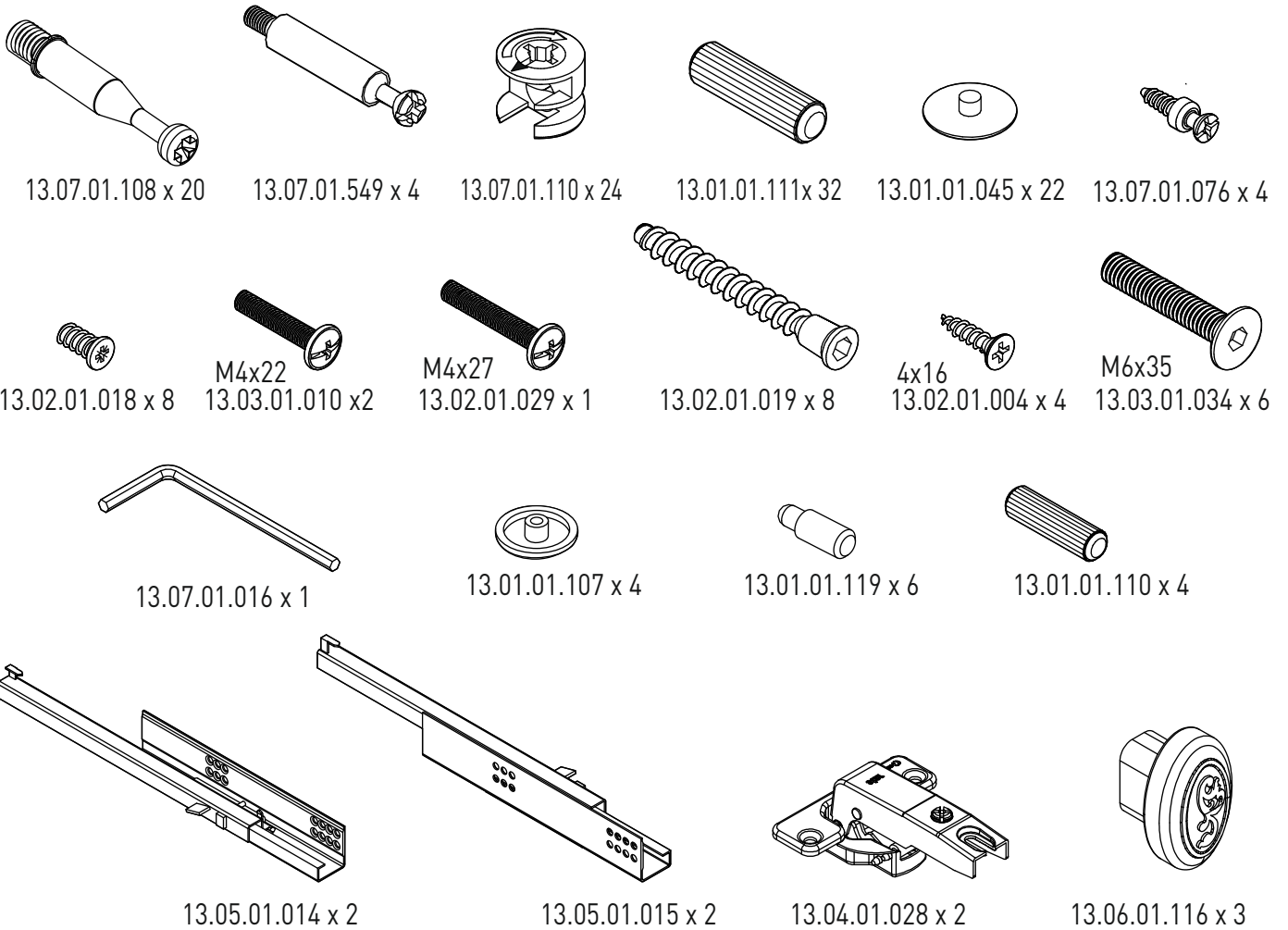




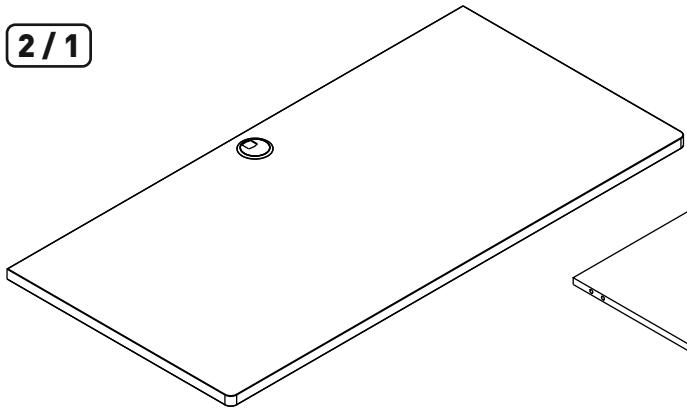
2 / 1



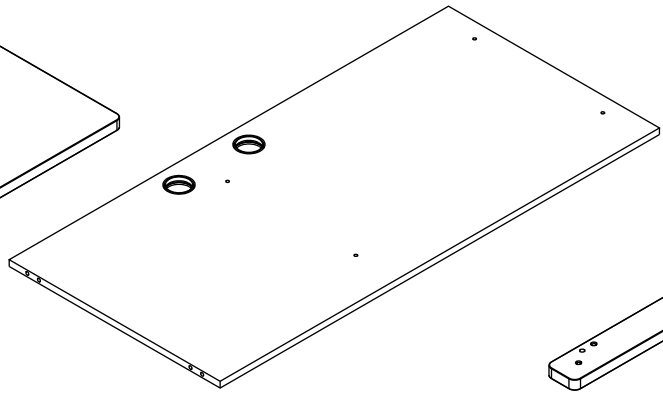
2 / 2



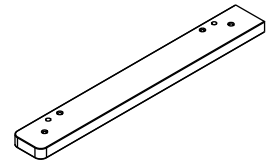
2/1



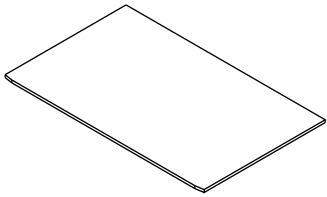
18.21.1105.011 x 1



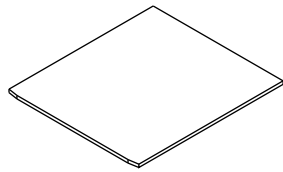
18.21.1105.005 x 1



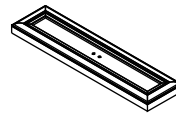
18.21.1105.029 x 1



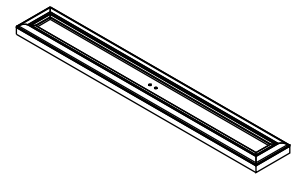
18.21.1105.028 x 1



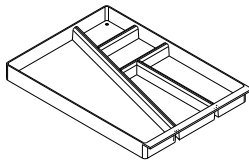
18.21.1105.023 x 1



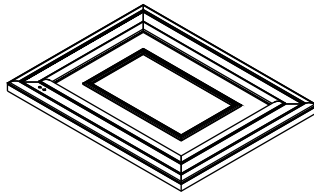
18.21.1105.017 x 1



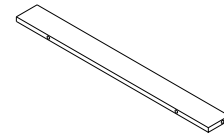
18.21.1105.024 x 1



13.01.01.287 x 1

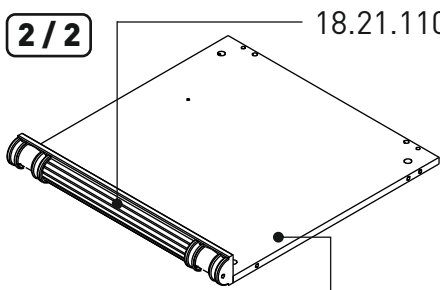


18.21.1105.012 x 1

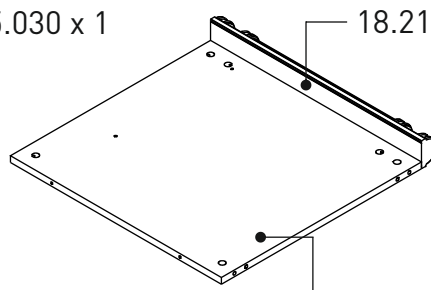


18.21.1105.026 x 1

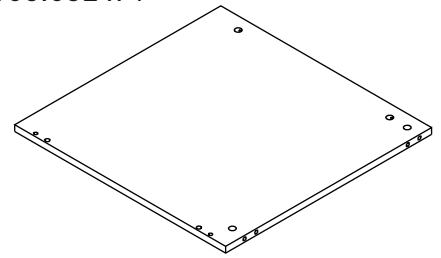
2/2



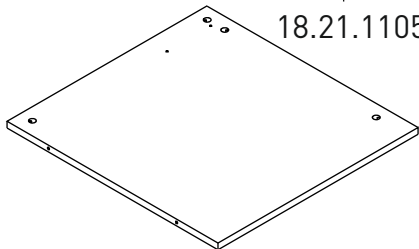
18.21.1105.030 x 1



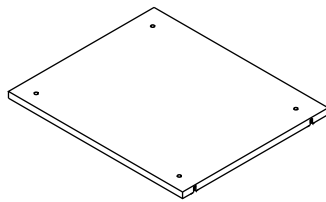
18.21.1105.032 x 1



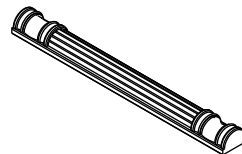
18.21.1105.007 x 1



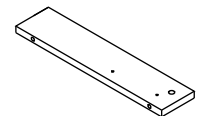
18.21.1105.003 x 1



18.21.1105.002 x 1



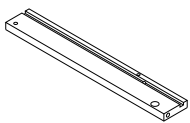
18.21.1105.031 x 1



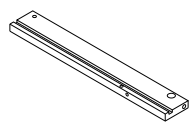
18.21.1105.010 x 1

18.21.1105.006 x 1

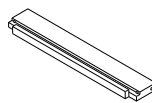
18.21.1105.008 x 1



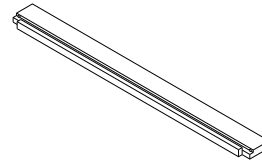
18.21.1105.020 x 2



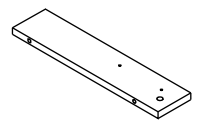
18.21.1105.021 x 2



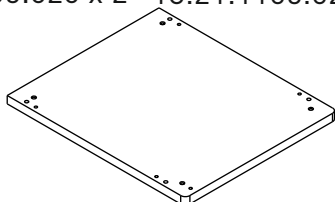
18.21.1105.022 x 1



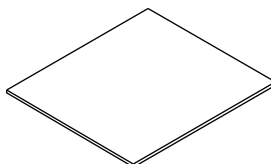
18.21.1105.027 x 1



18.21.1105.009 x 1



18.21.1105.001 x 1

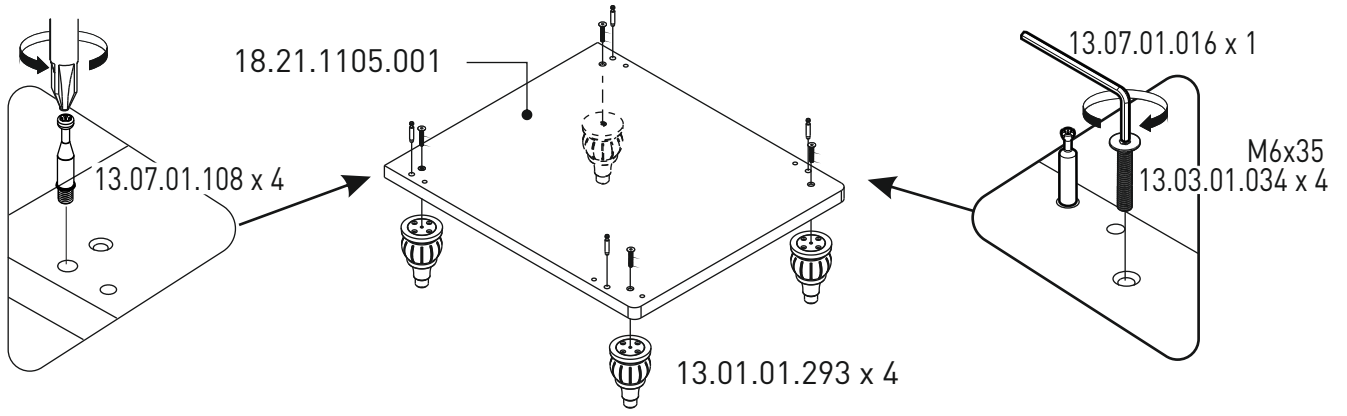


18.21.1105.004 x 1

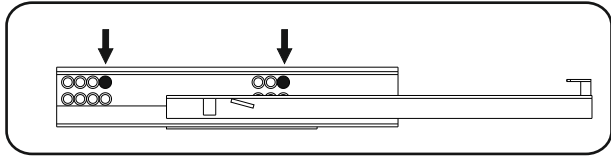
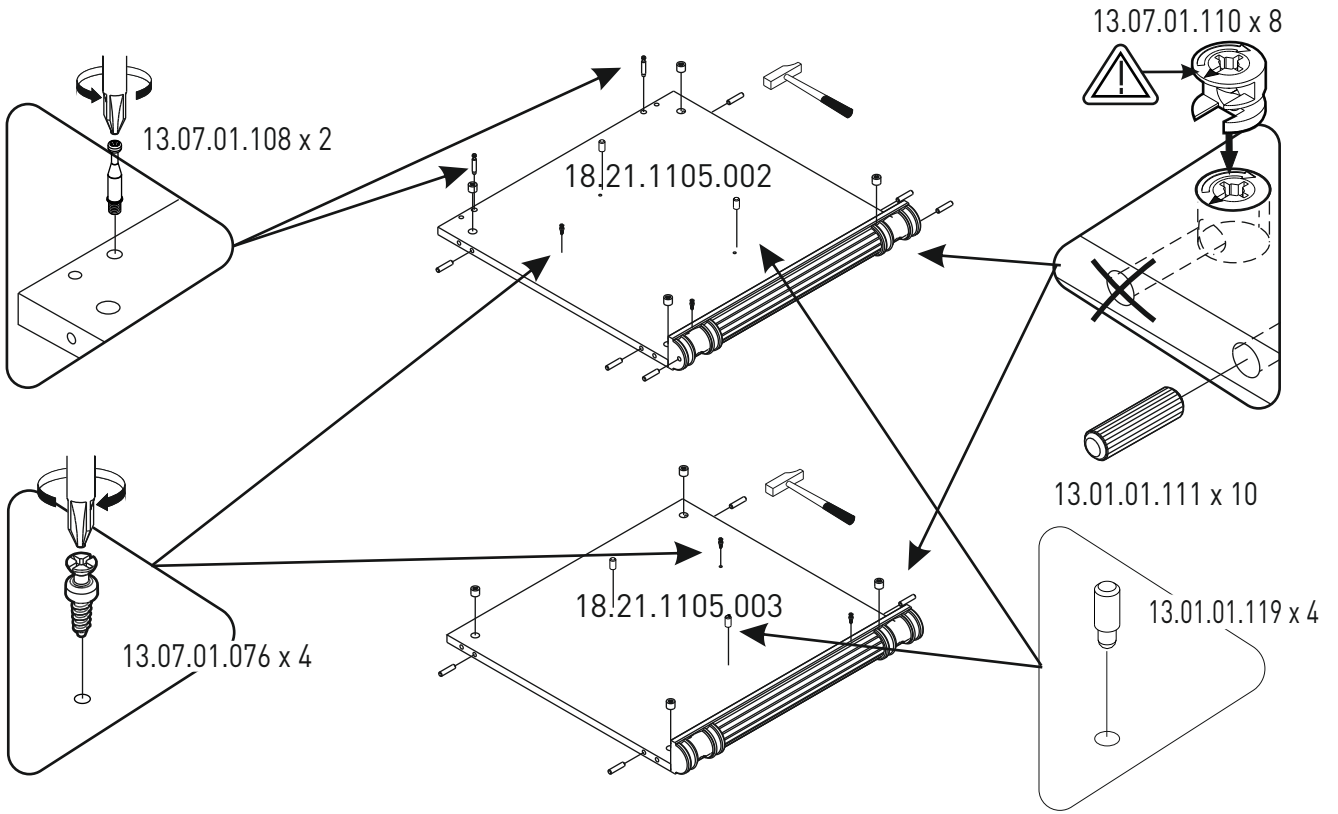


13.01.01.293 x 6

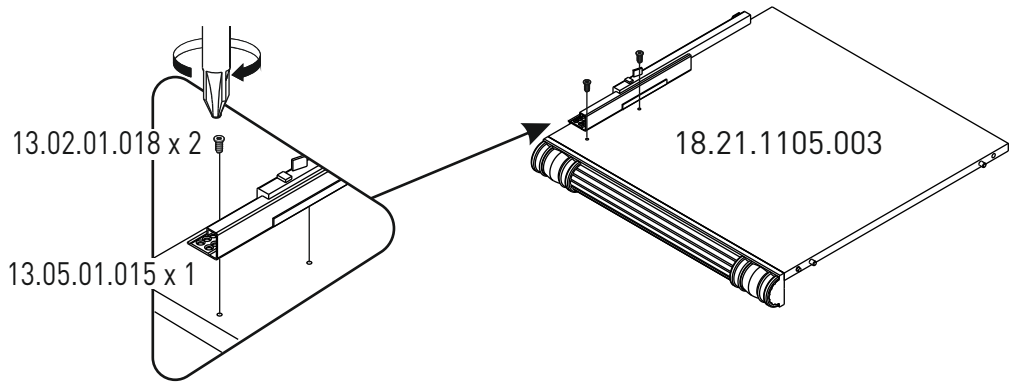
1



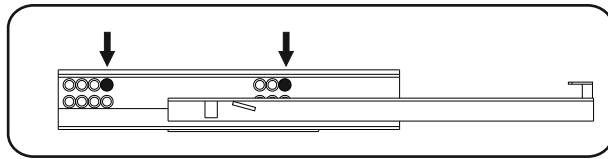
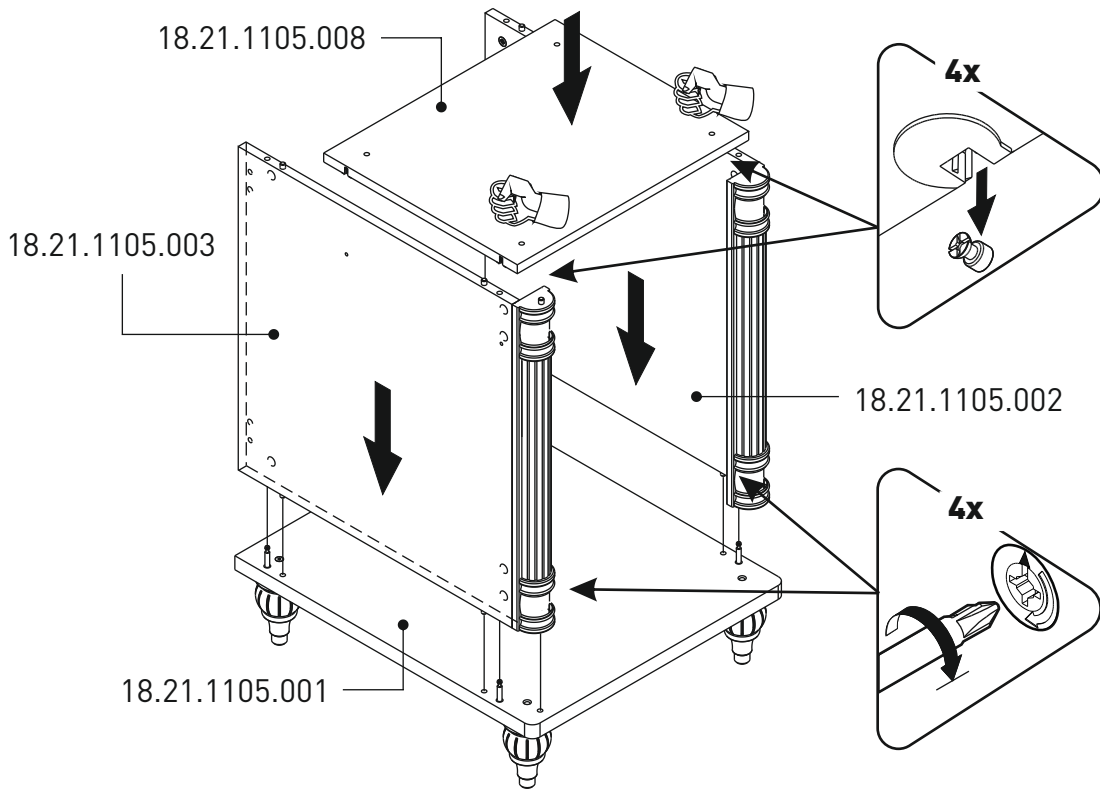
2



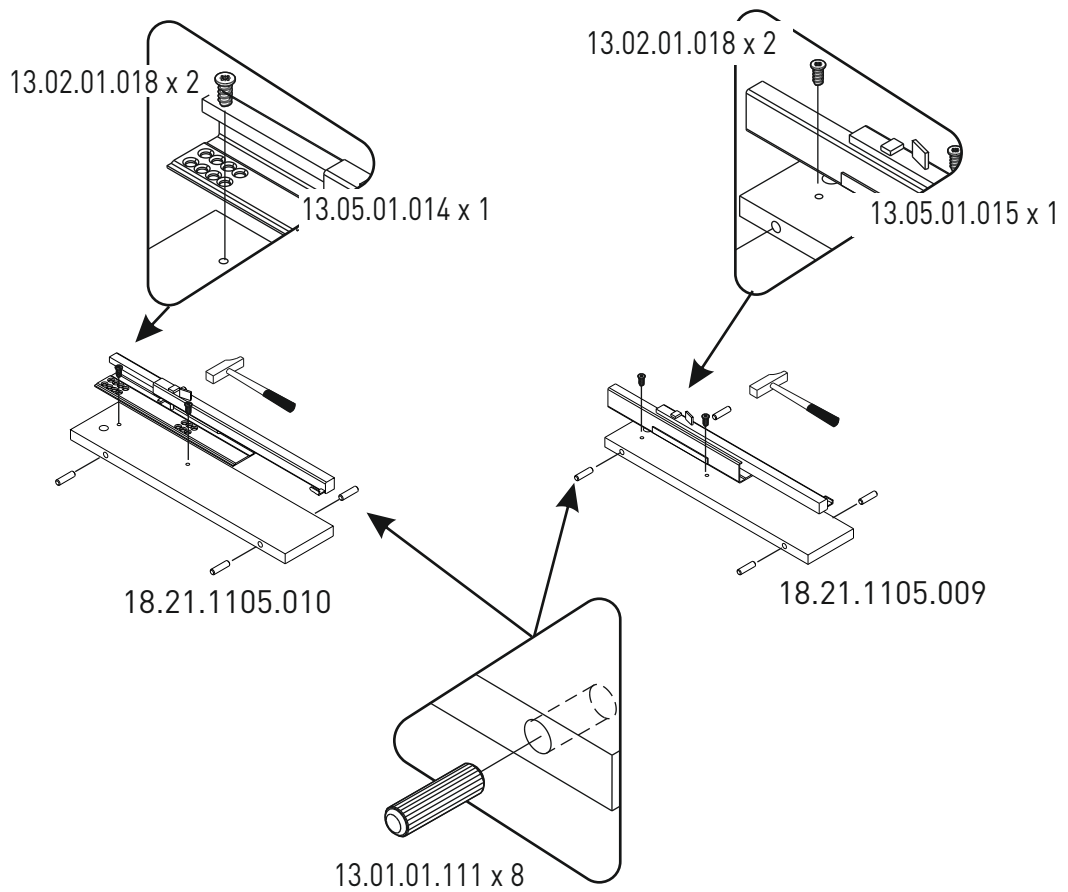
3



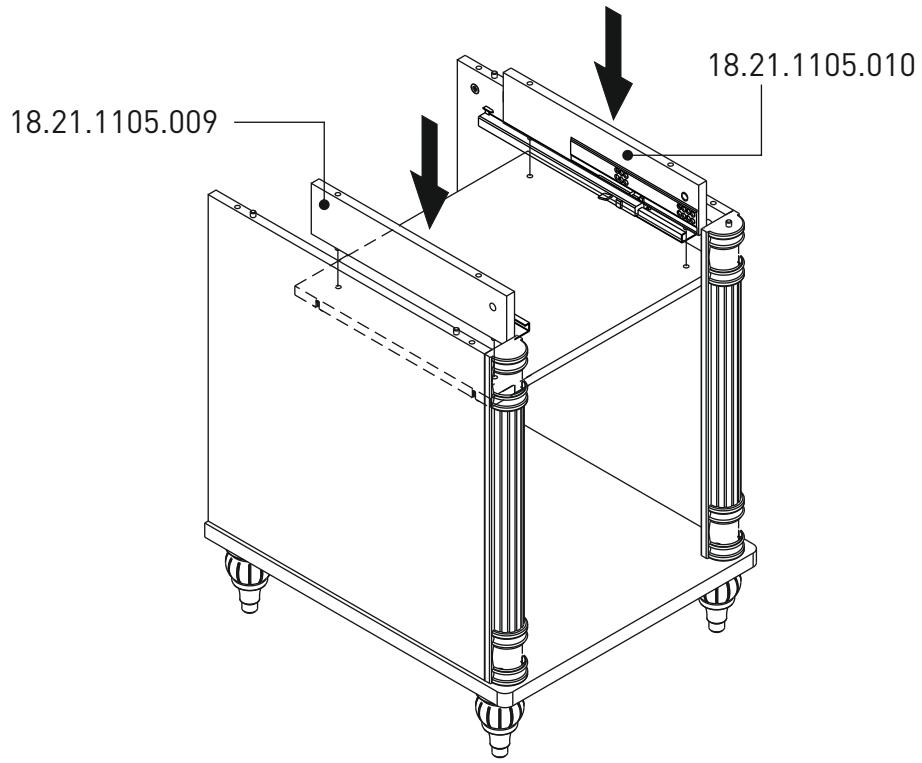
4



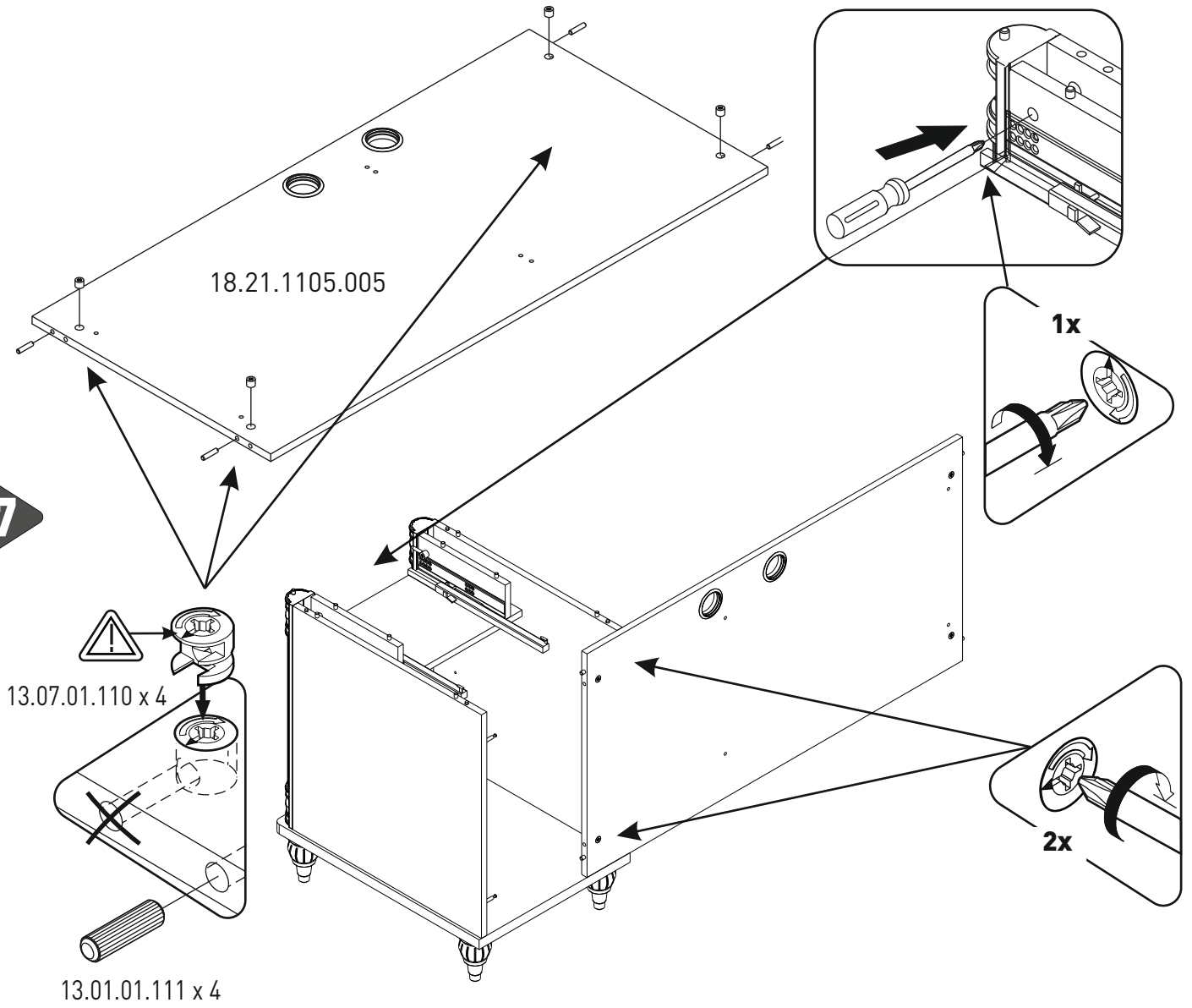
5

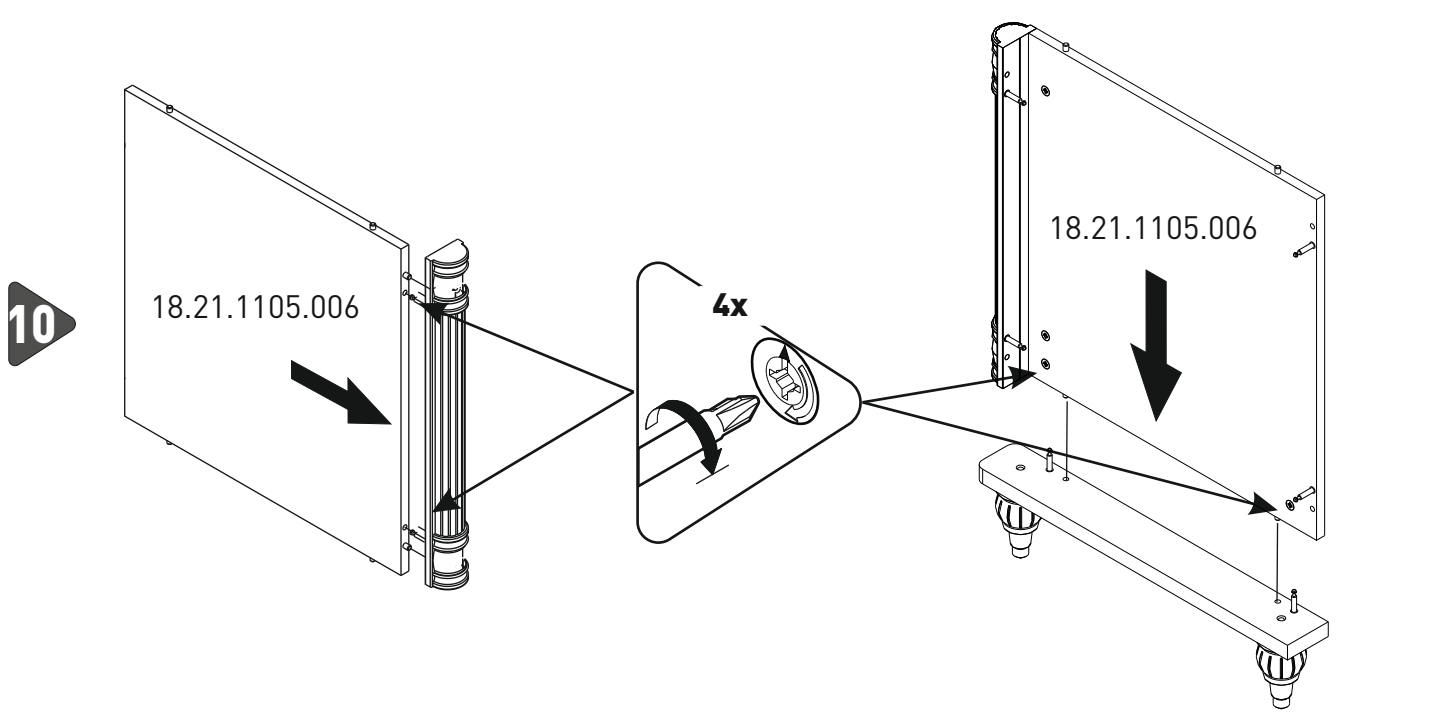
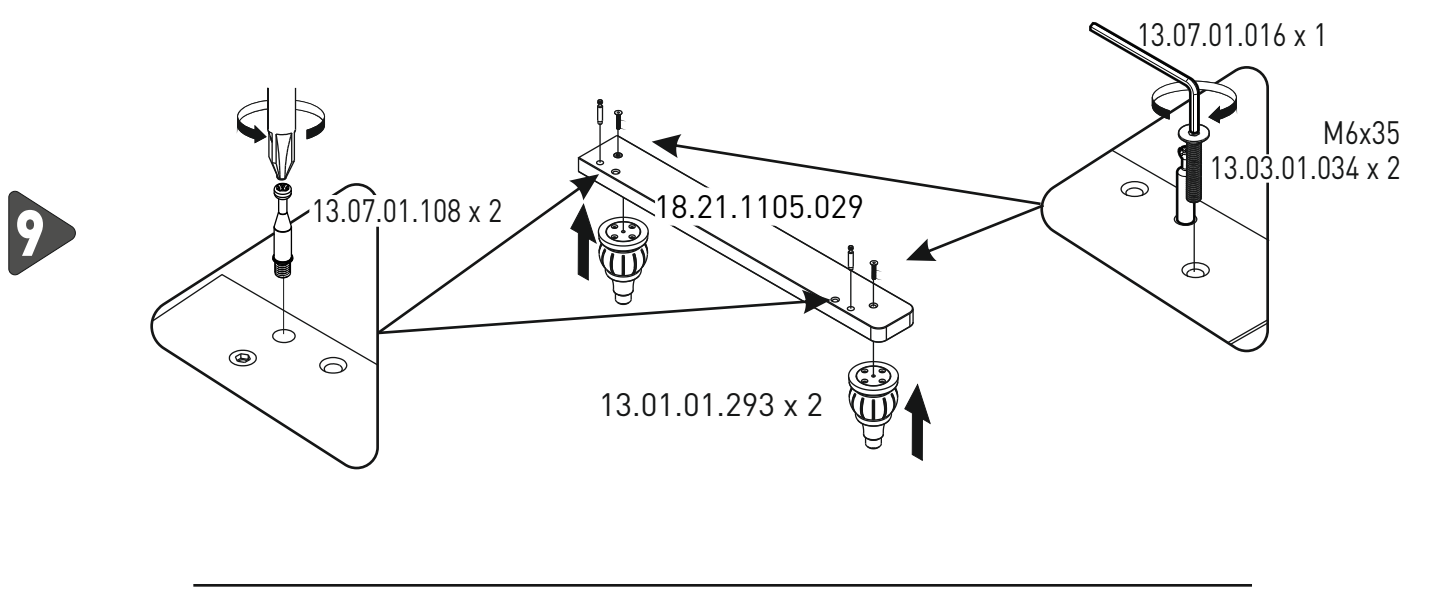
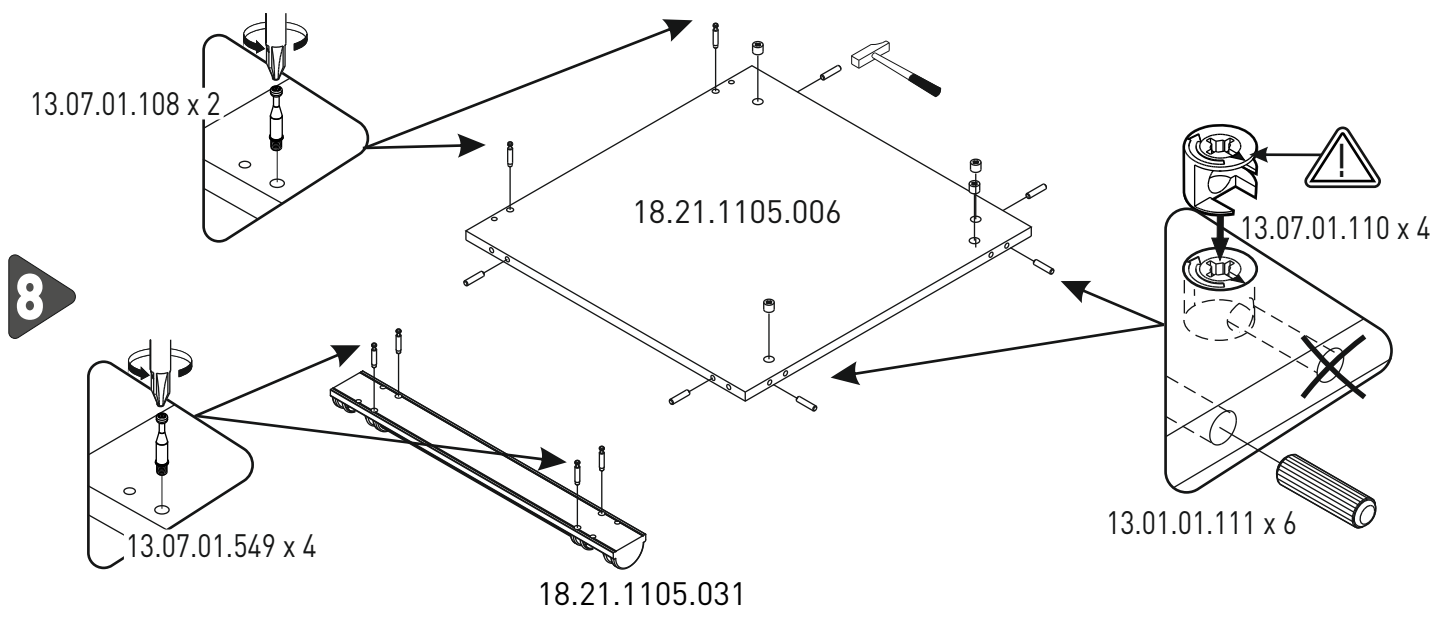


6

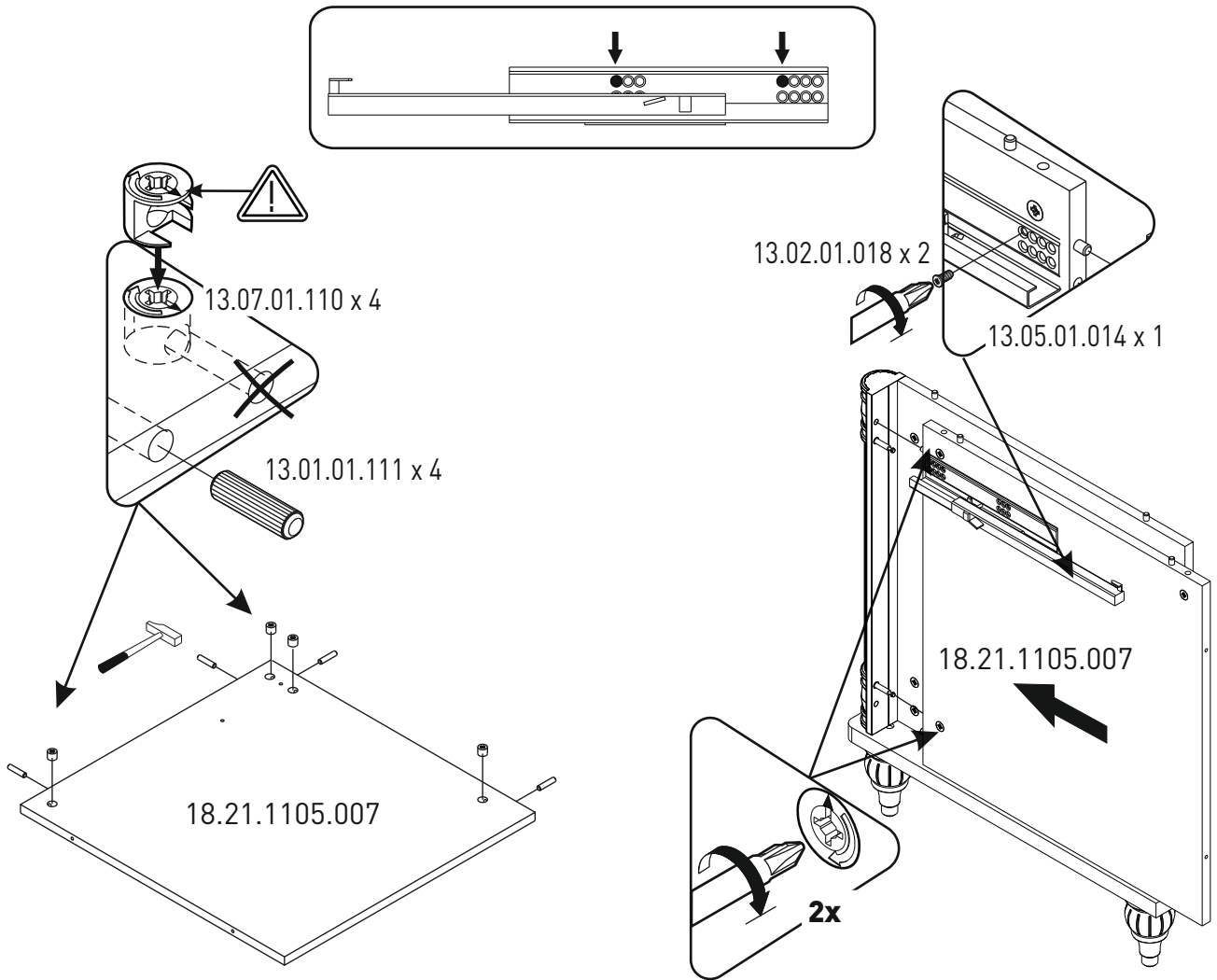


7

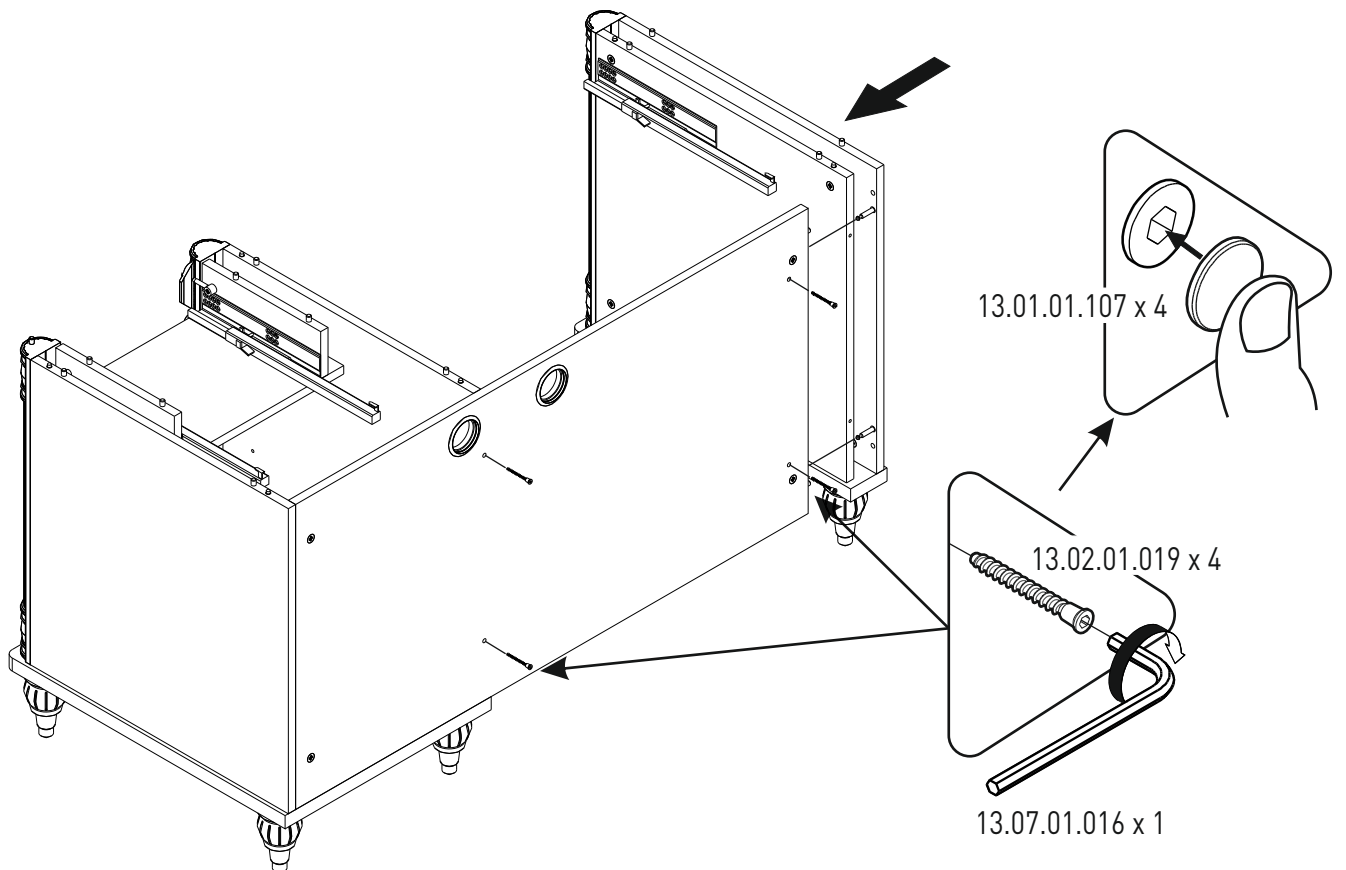




11

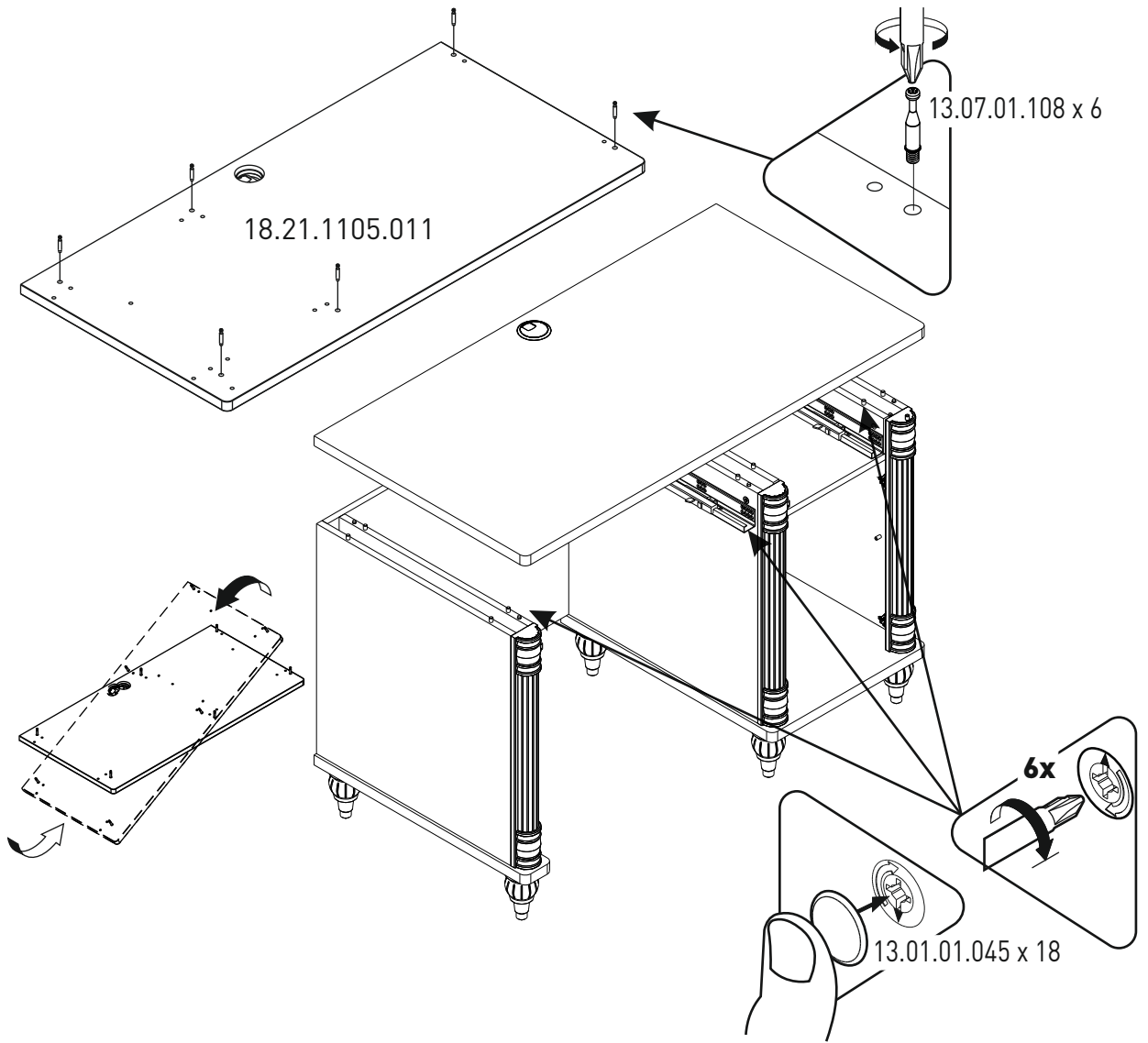


12

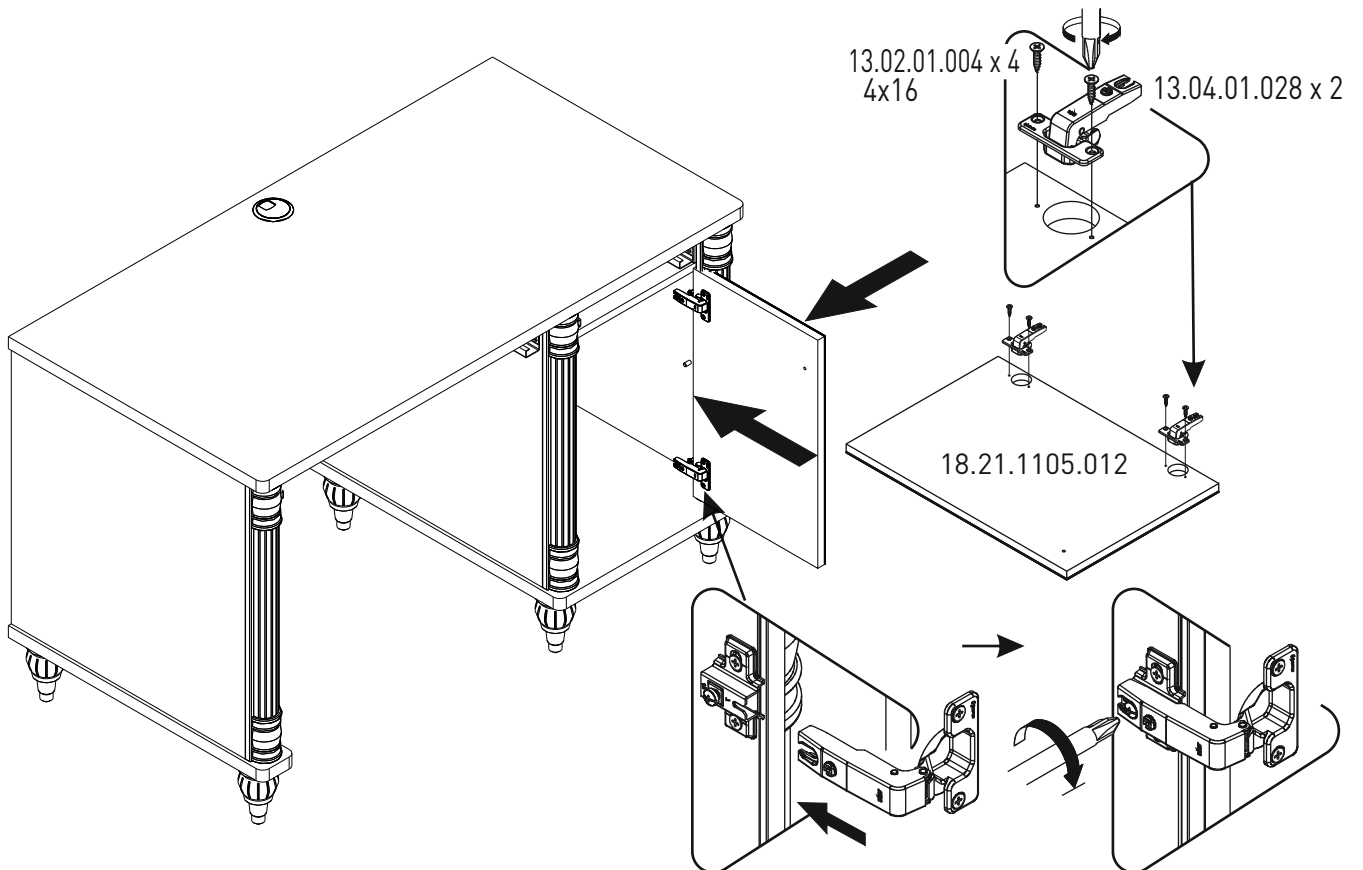




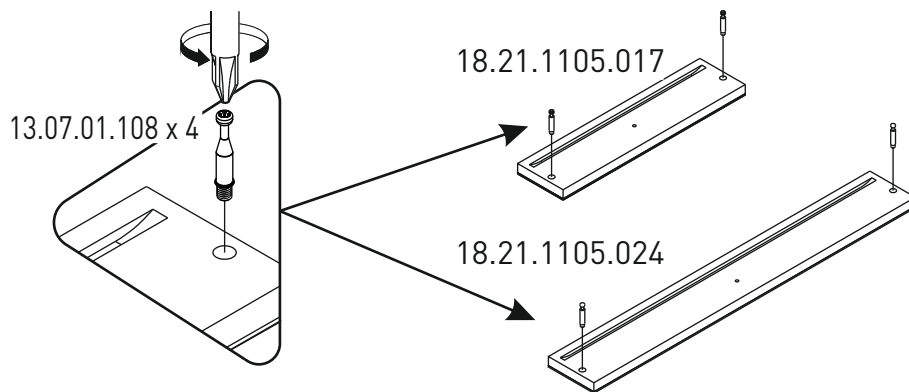
13



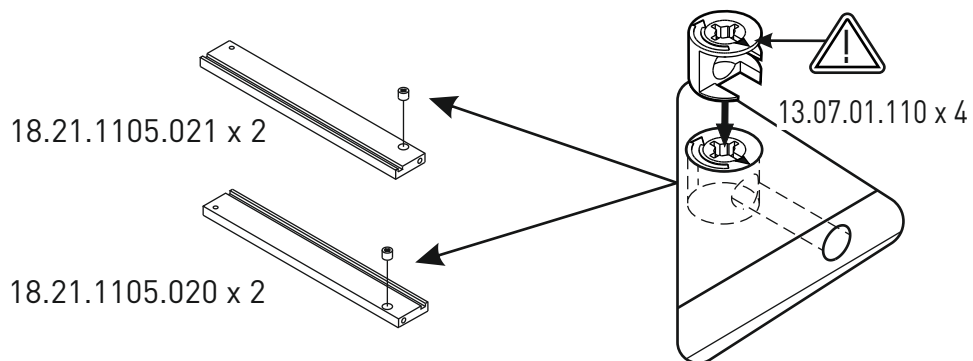
14



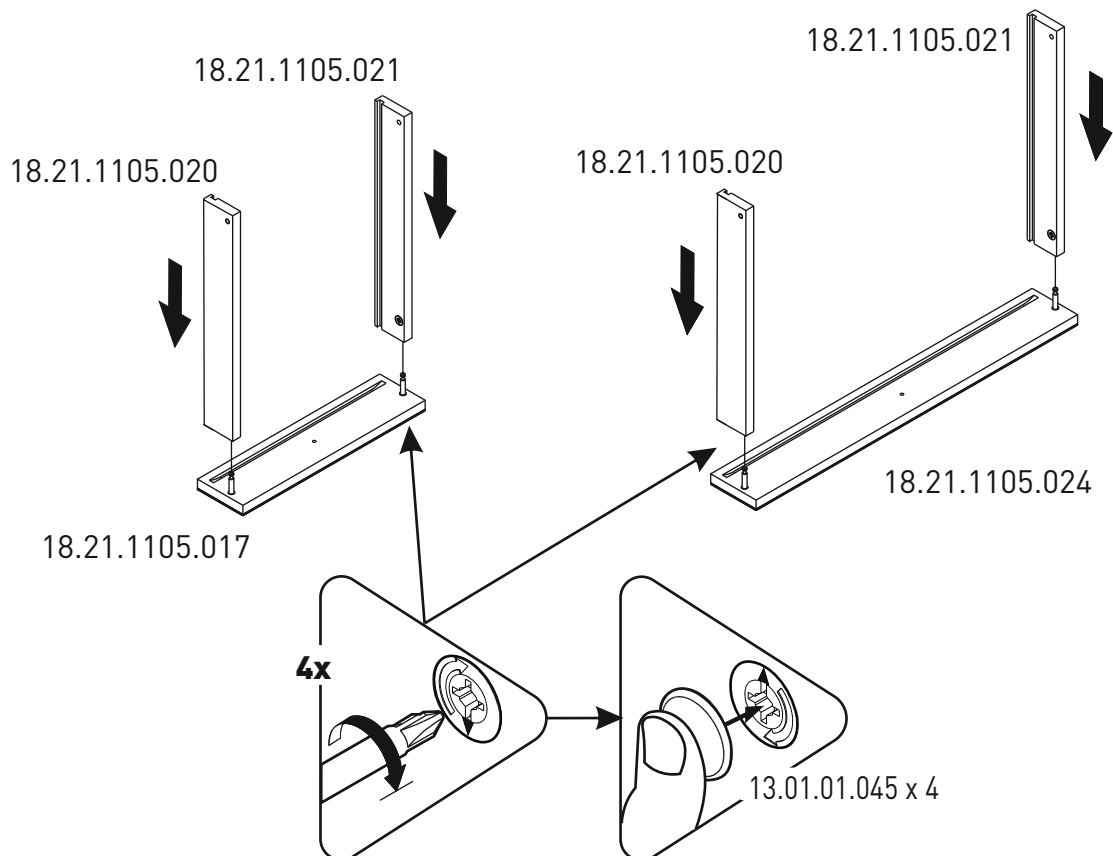
15

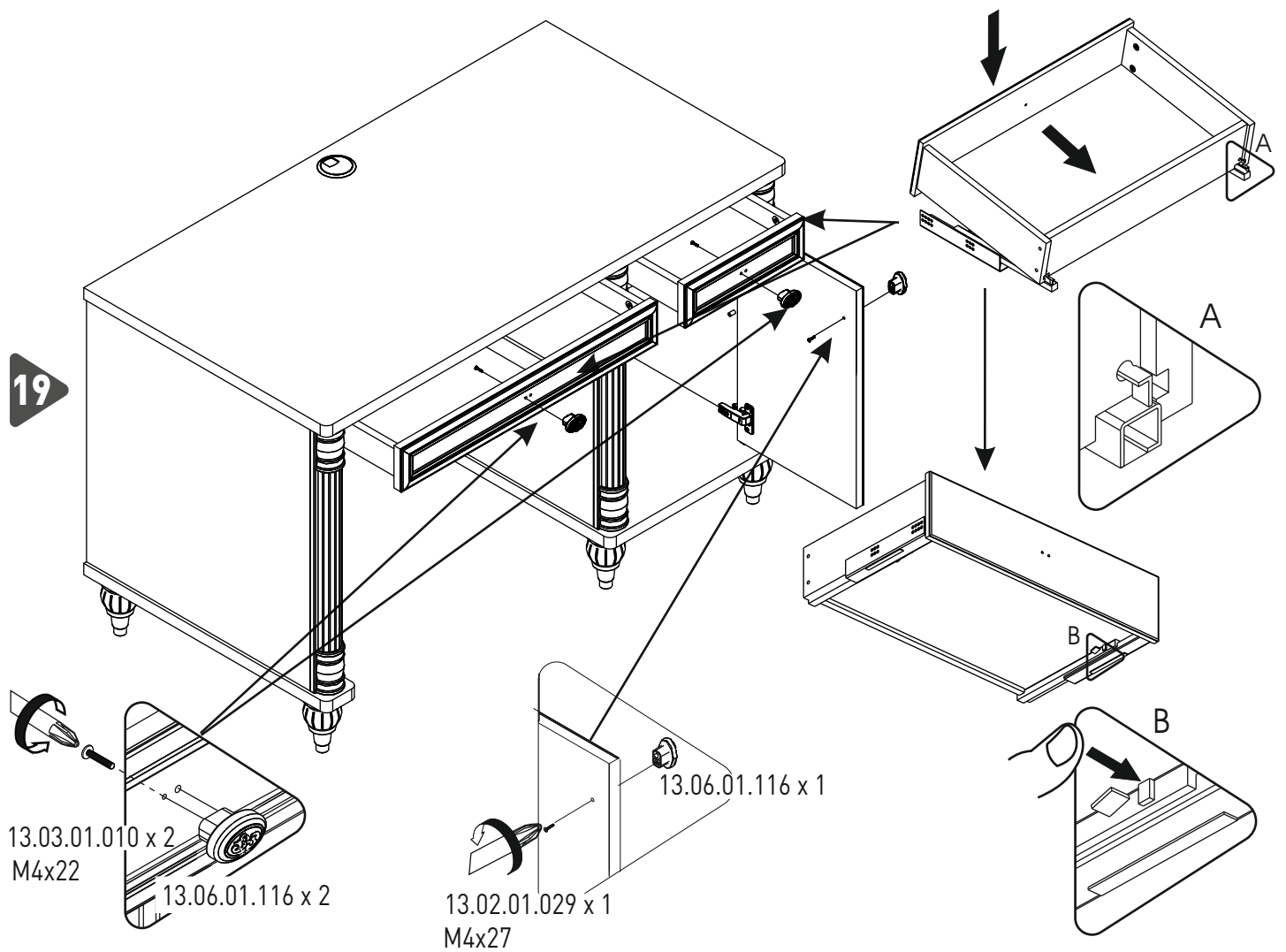
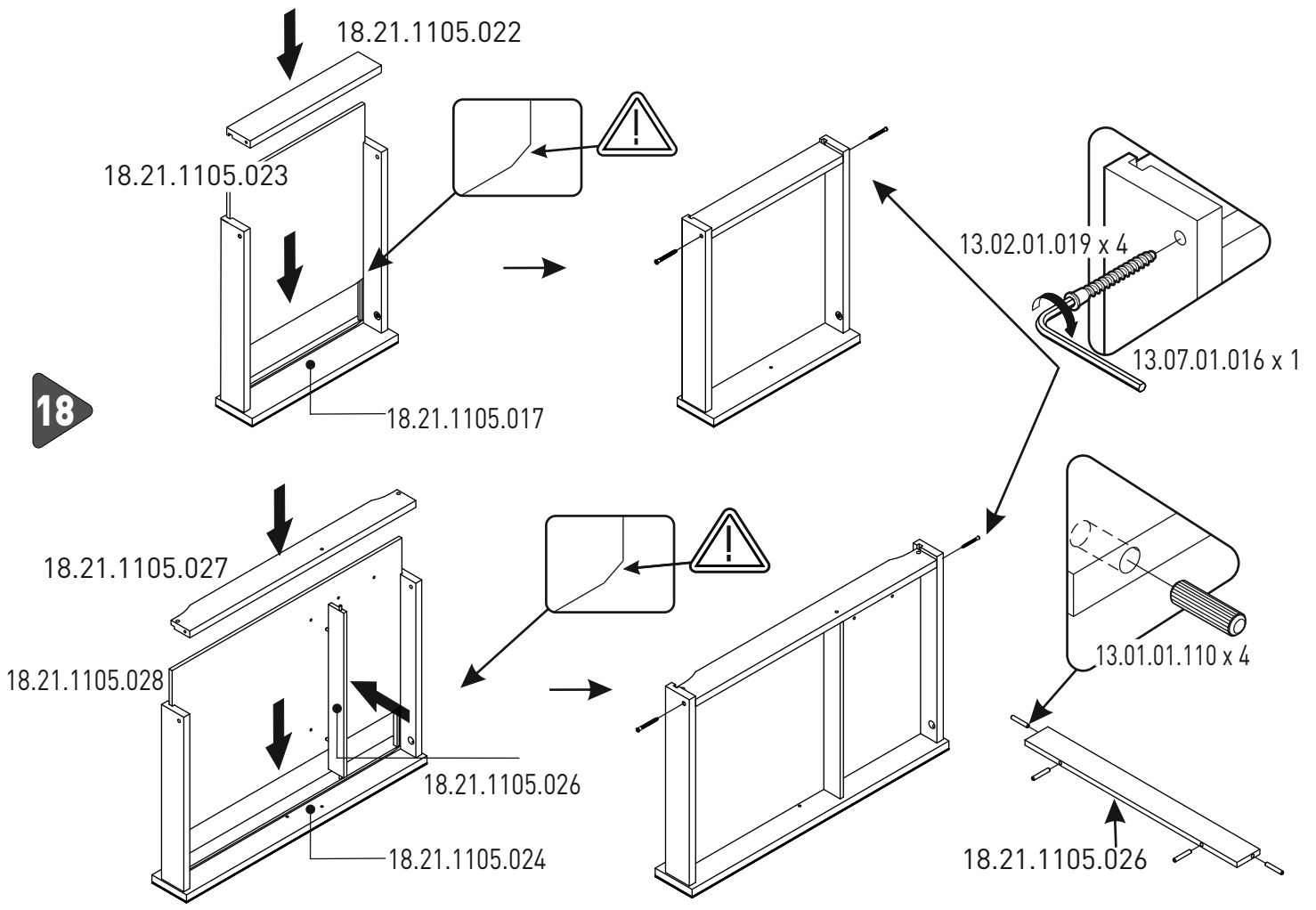


16

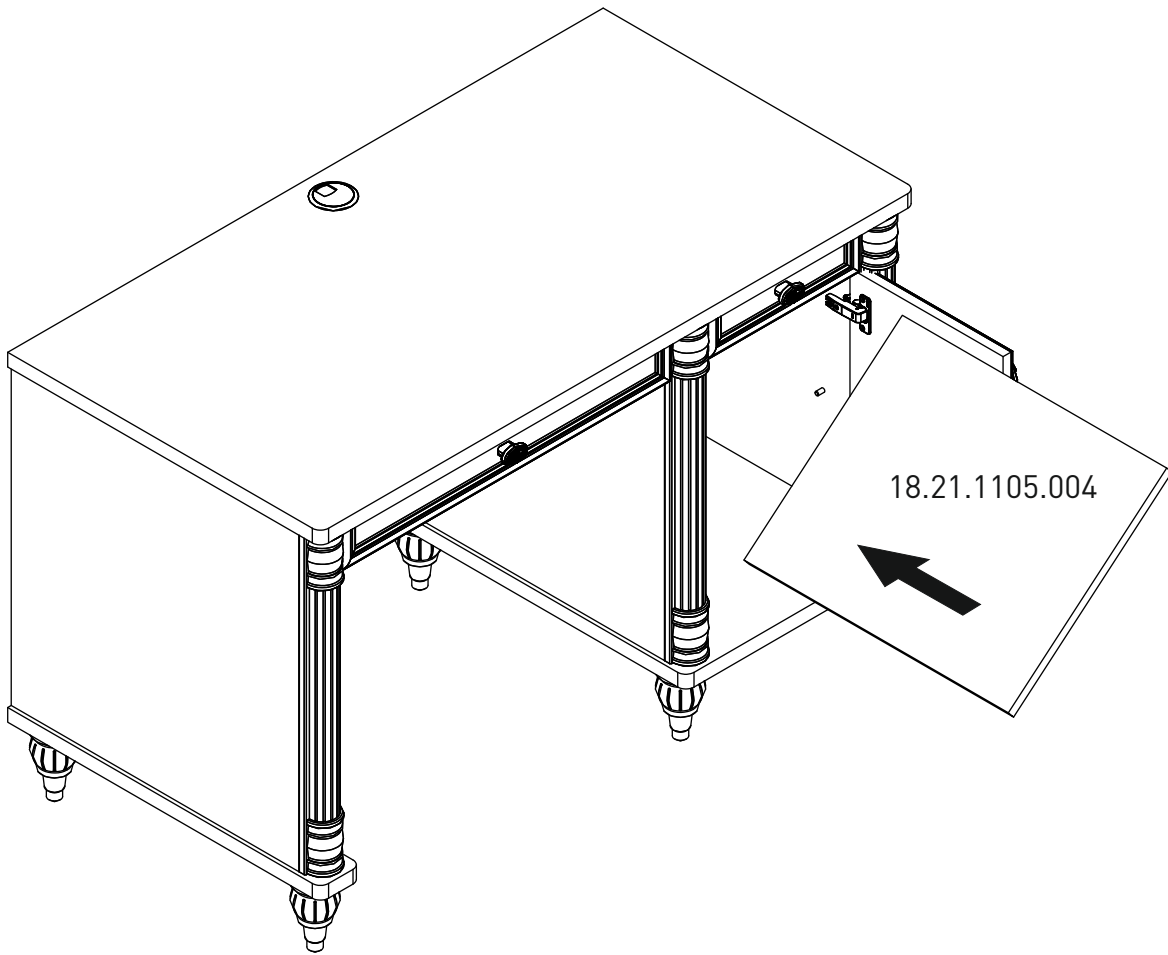


17





20



21

