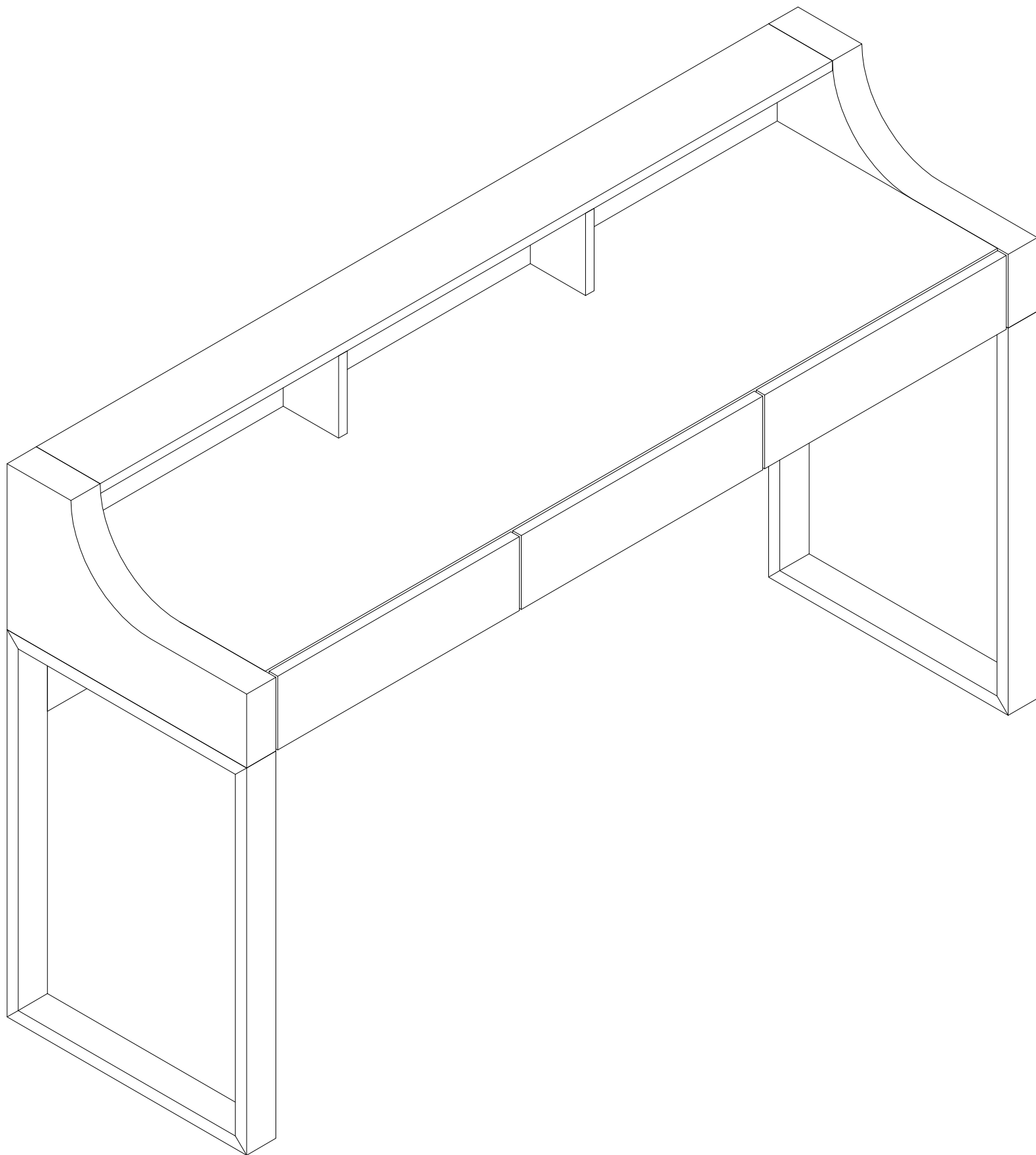
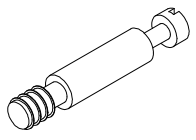
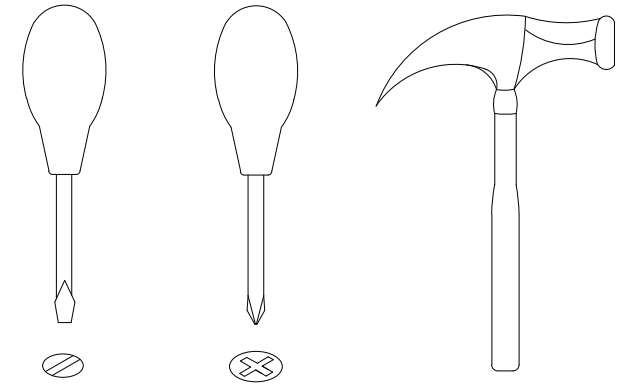
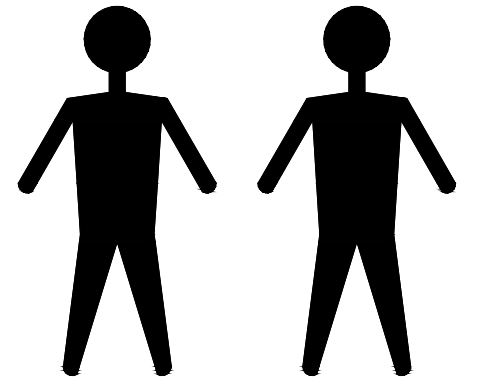


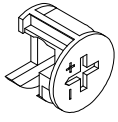
MDI. WD. ZR. 6



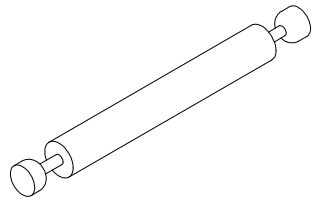
MDI. WD. ZR. 6



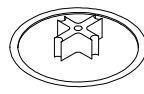
A x4
Spec: $\varnothing 7 * L30$



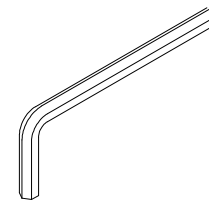
B x10
Spec: $\varnothing 15 * H12$



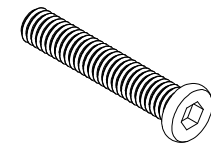
C x3
Spec: $\varnothing 7 * L66$



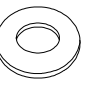
D x10
Spec:



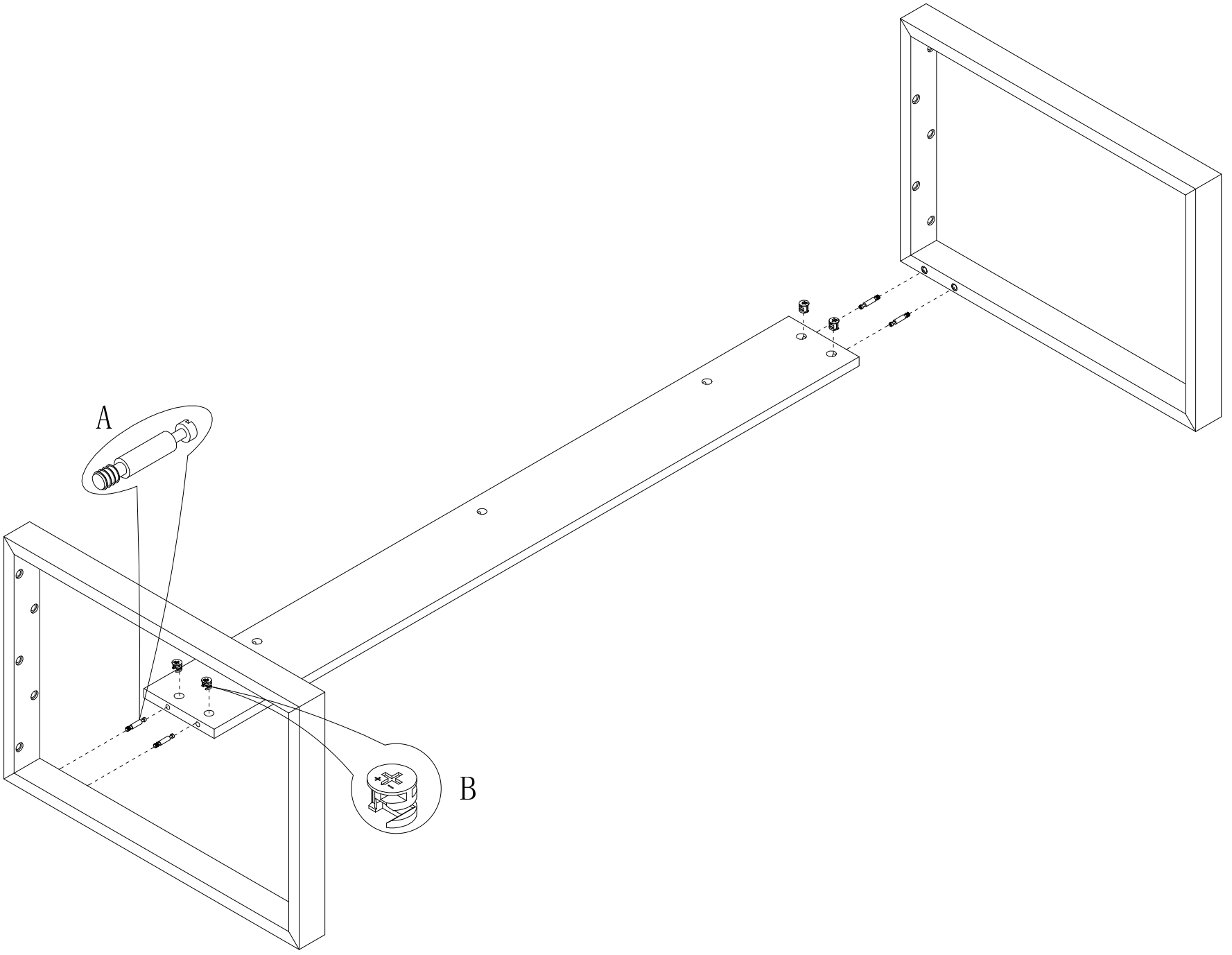
E x1
Spec: 5#



F x10
Spec: 5/16*40

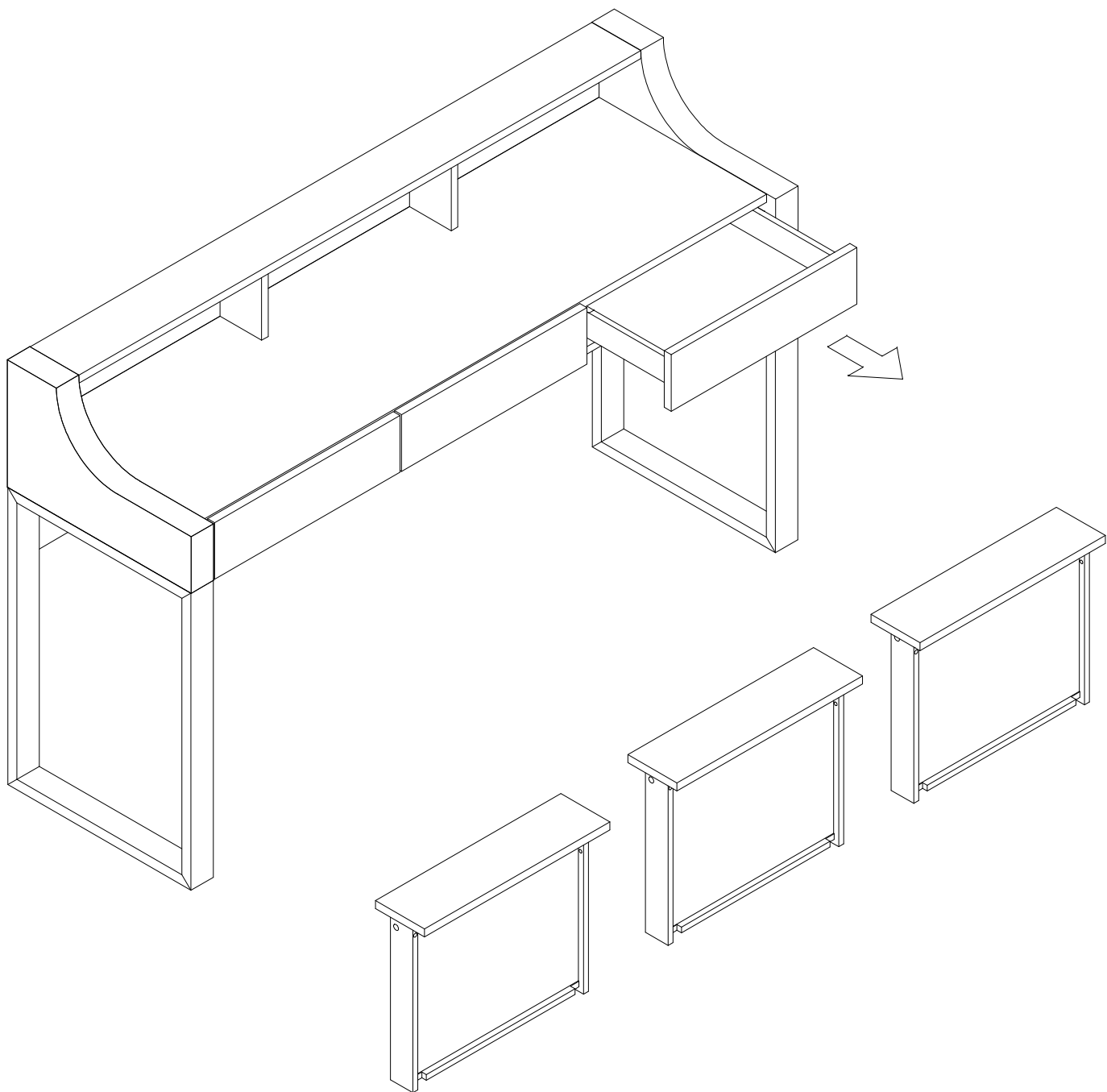


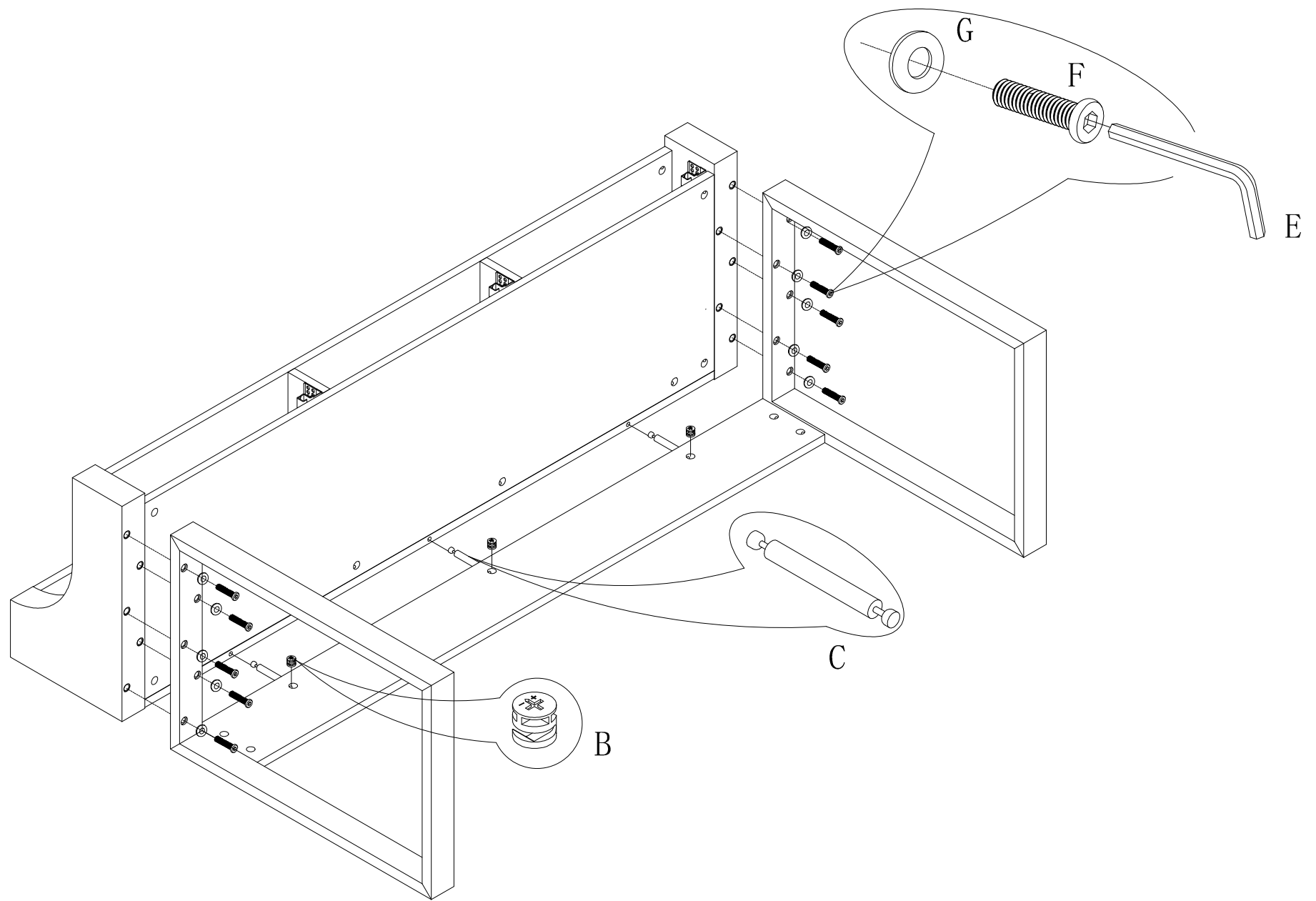
G x10
Spec: $\varnothing 8 * \varnothing 14$



1

2





3

4

