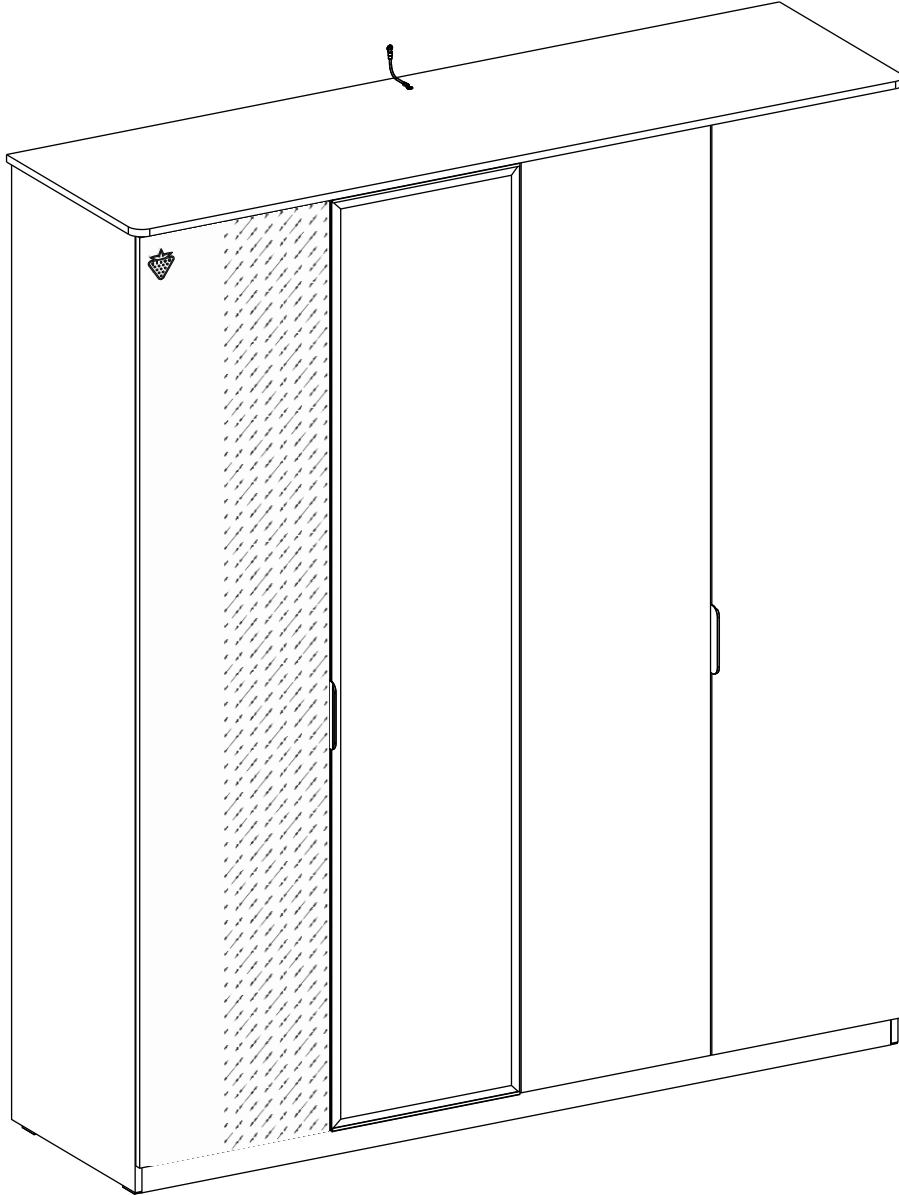
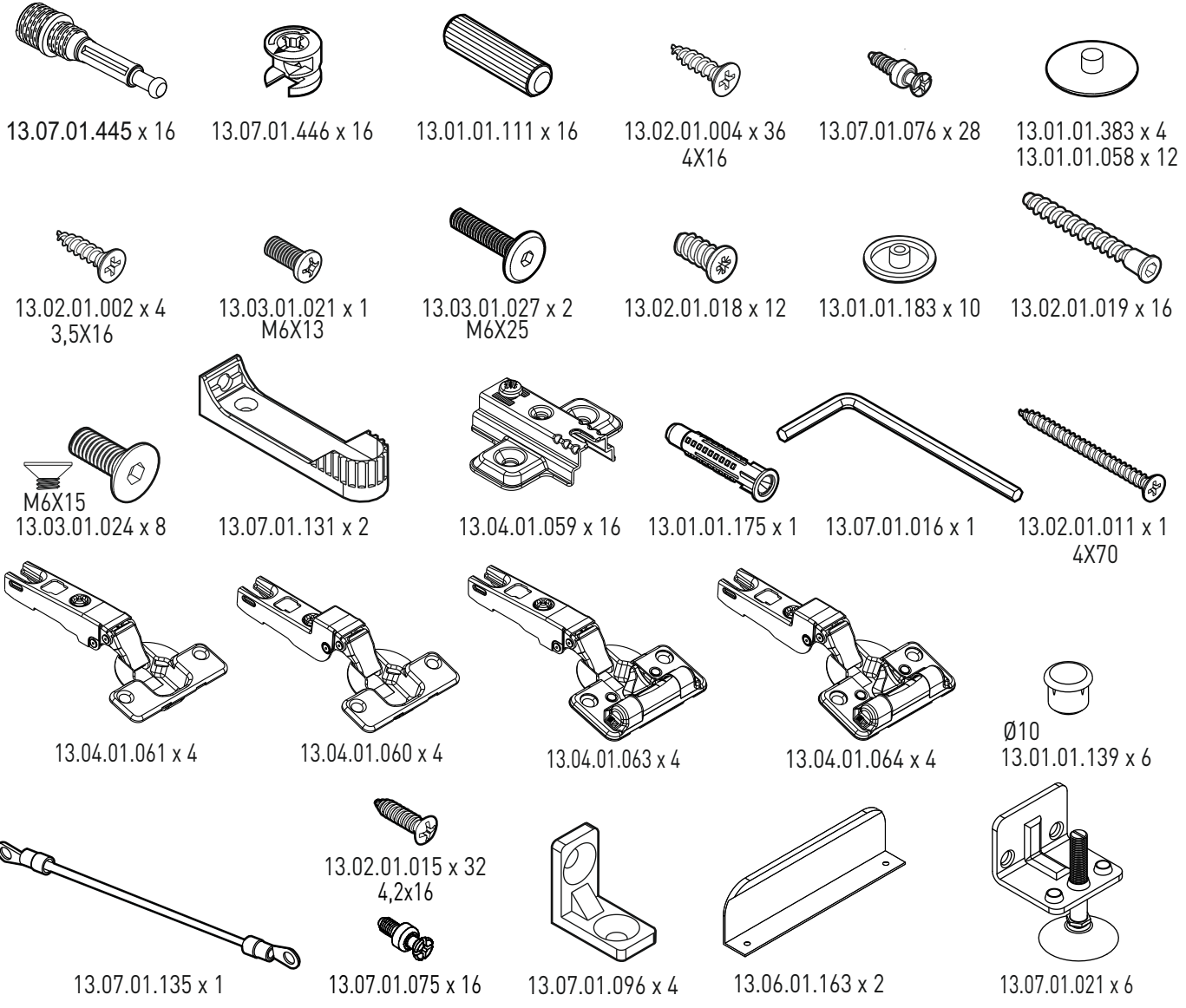
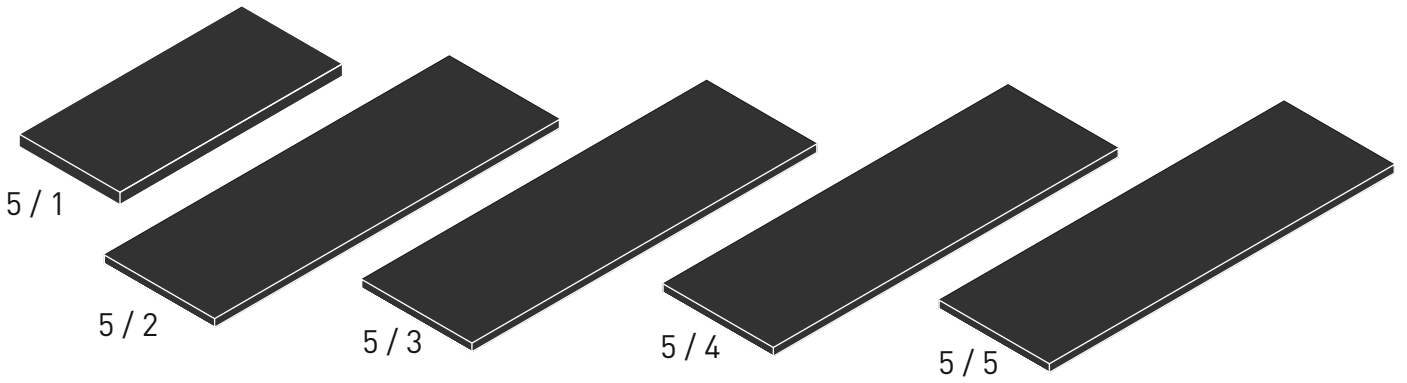
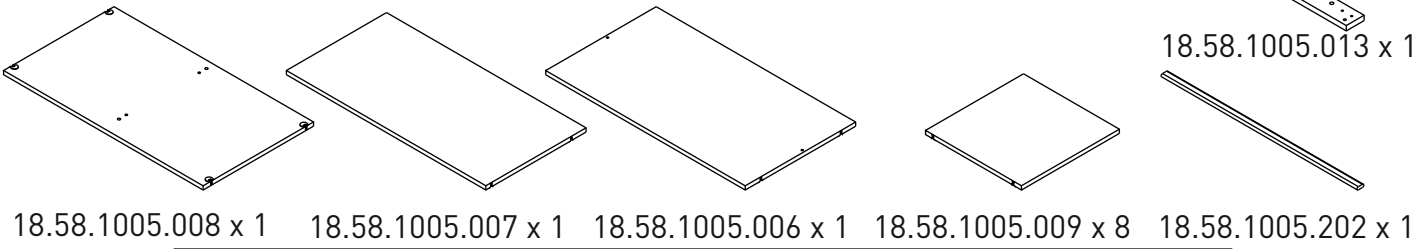


# 20.58.1005.00

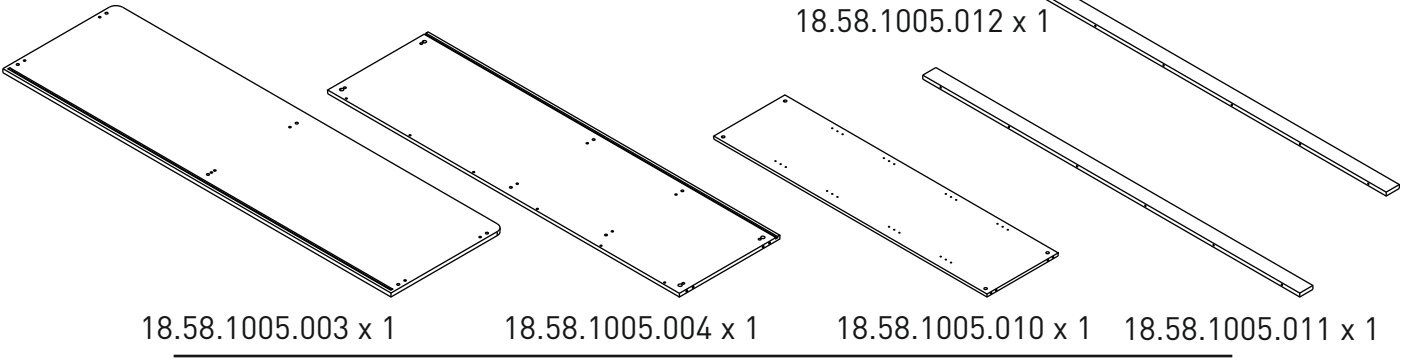




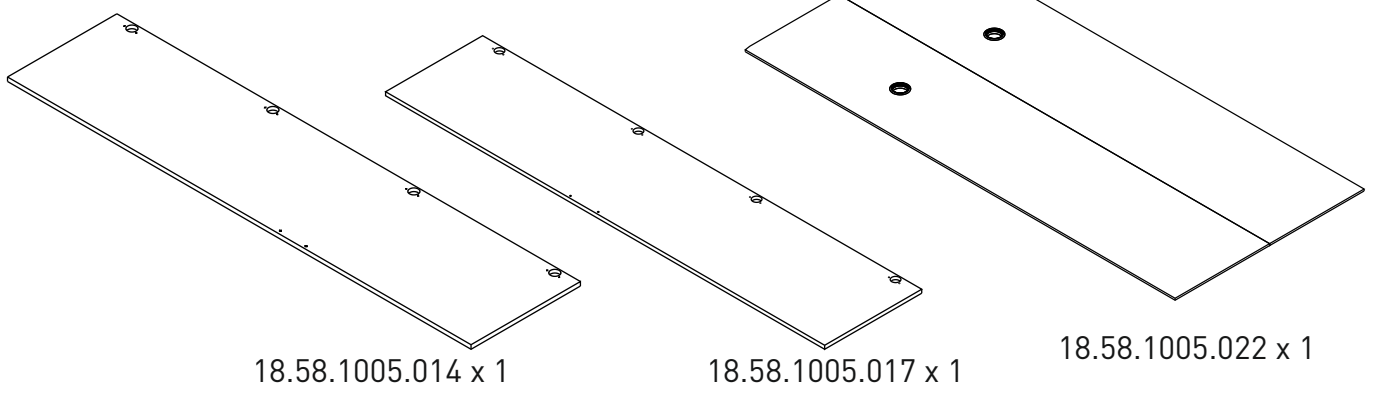
5/1



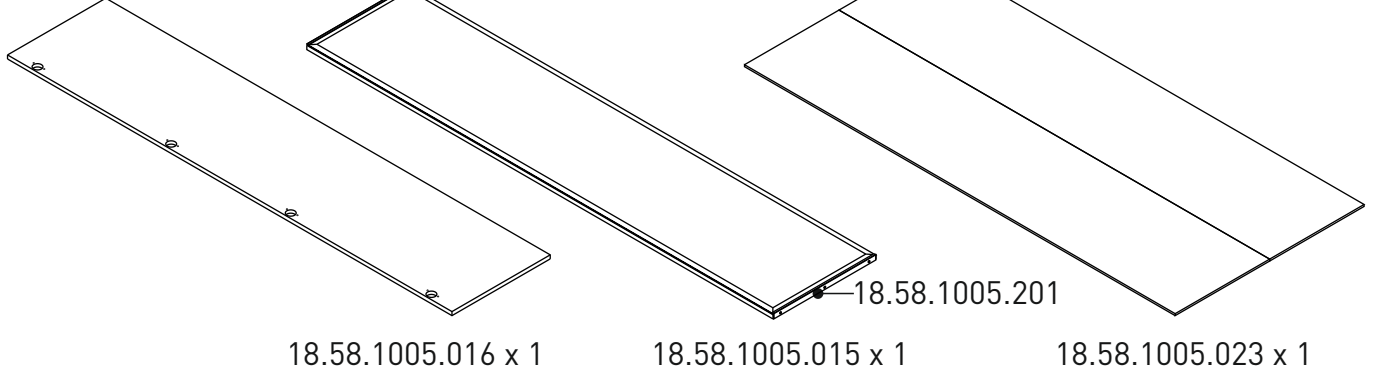
5/2



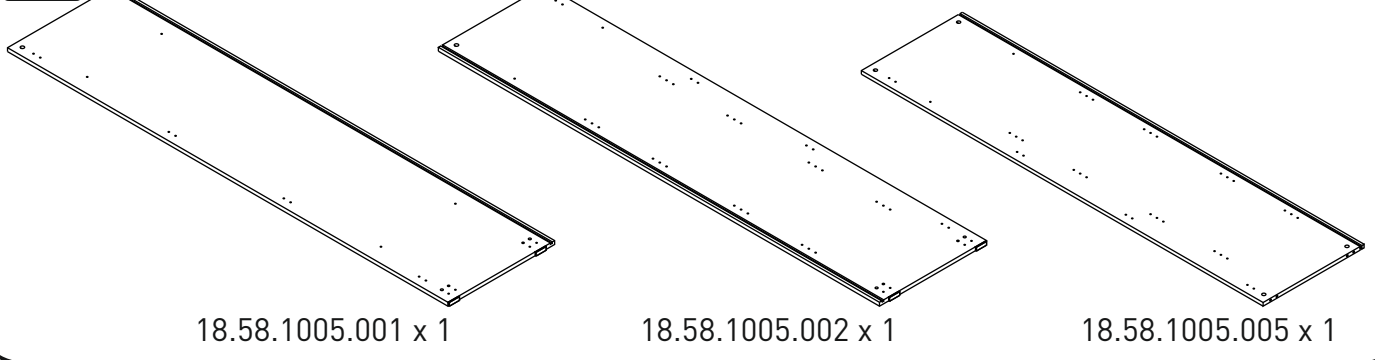
5/3



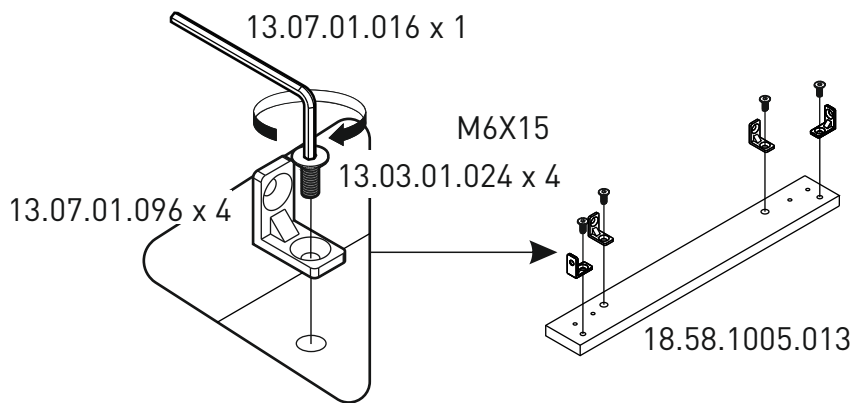
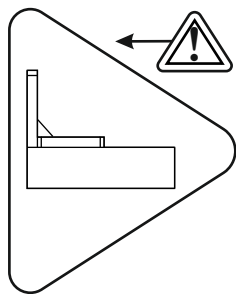
5/4



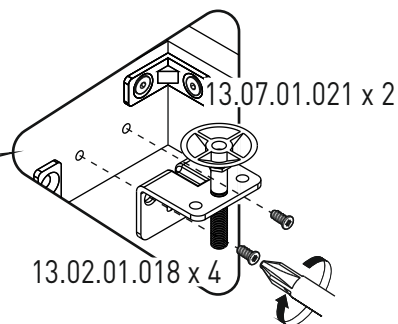
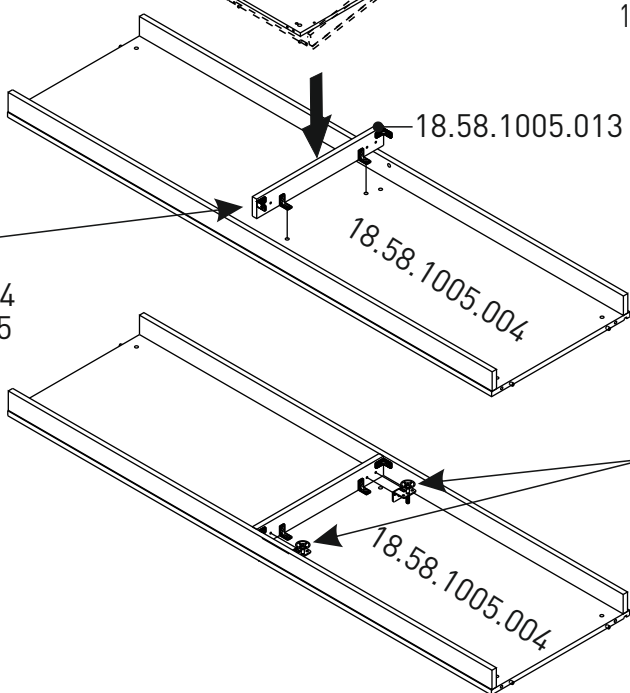
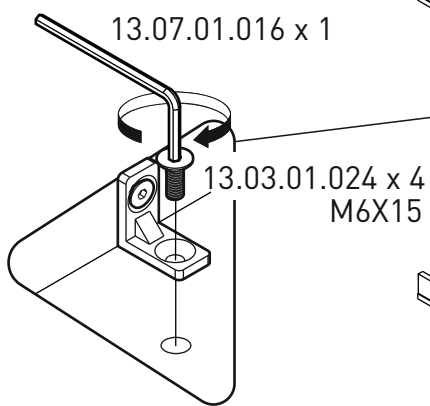
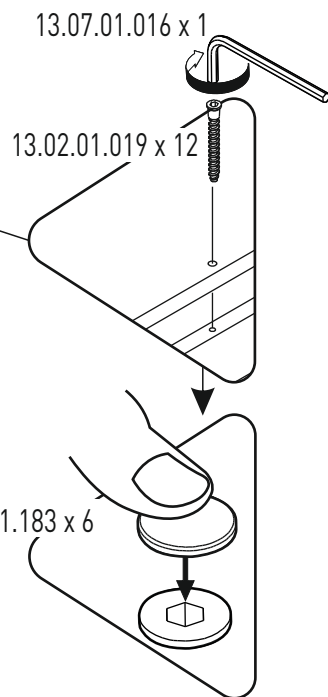
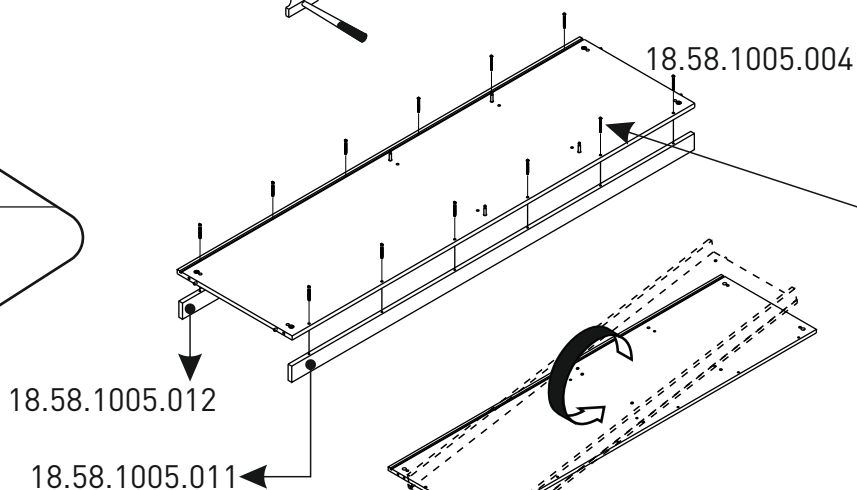
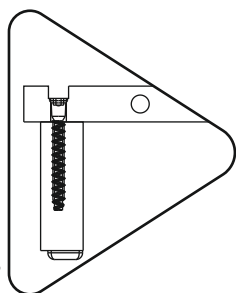
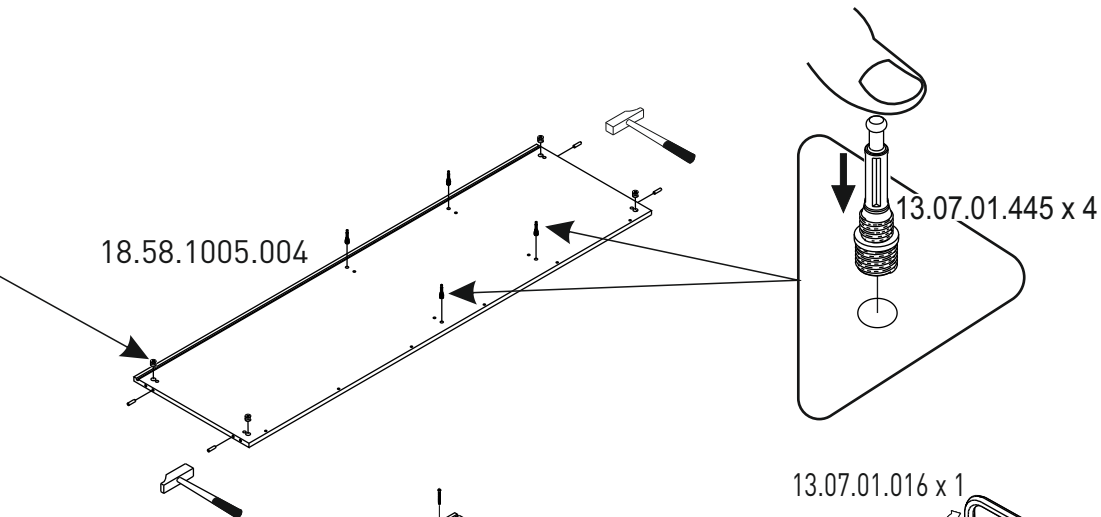
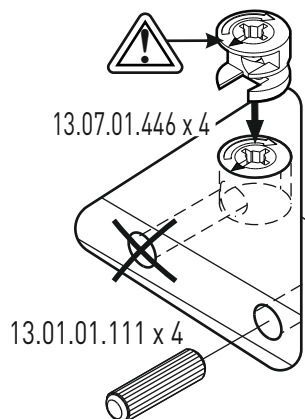
5/5



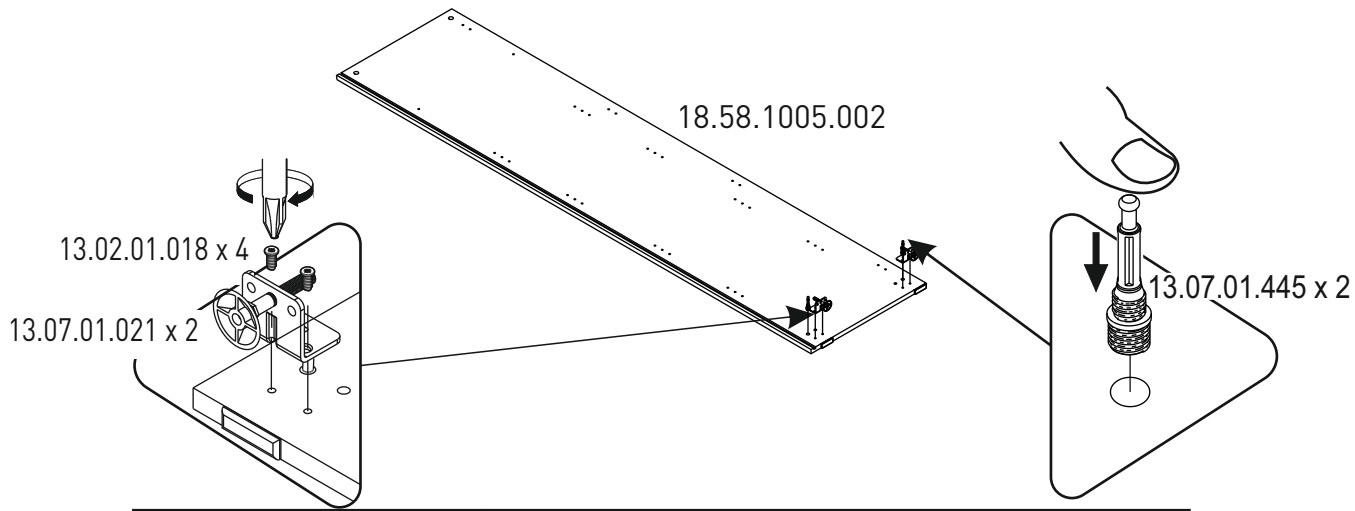
1



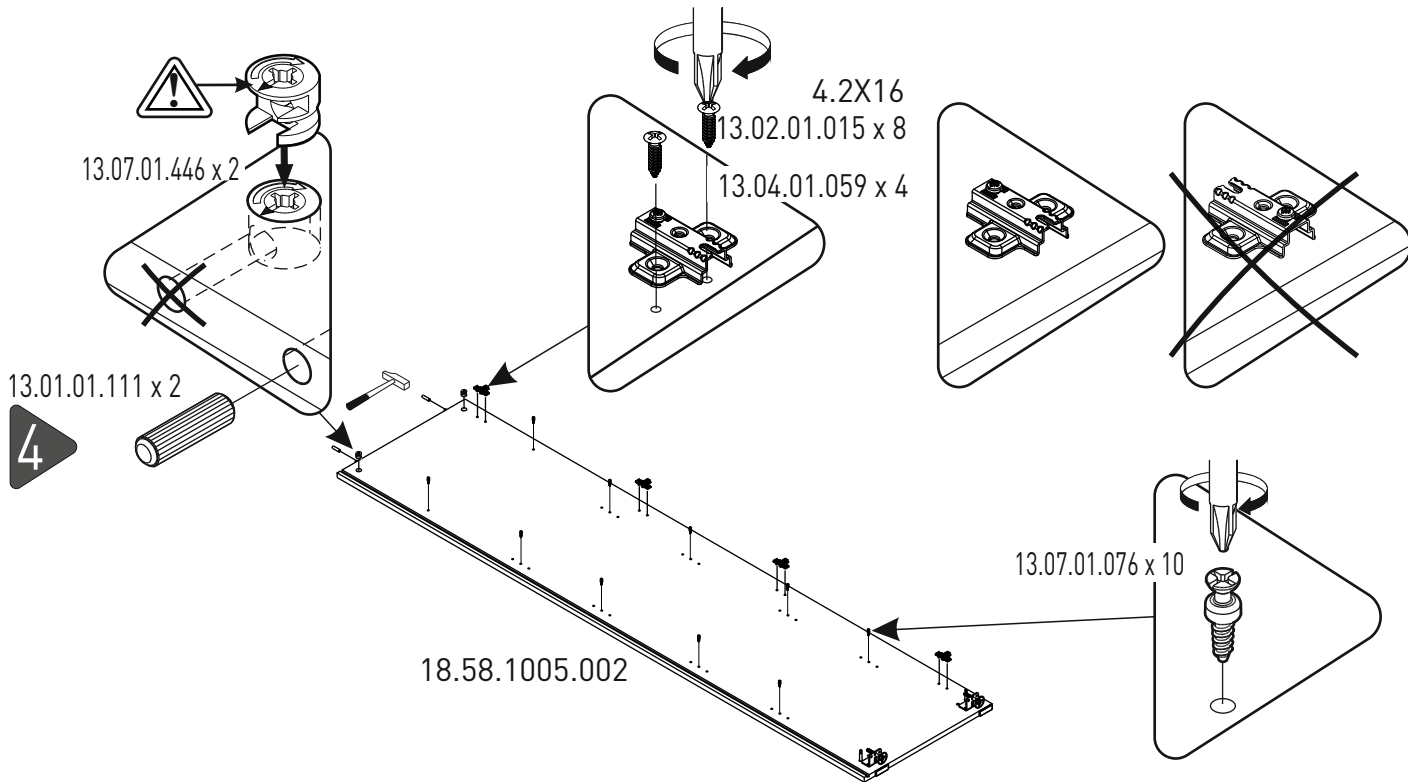
2



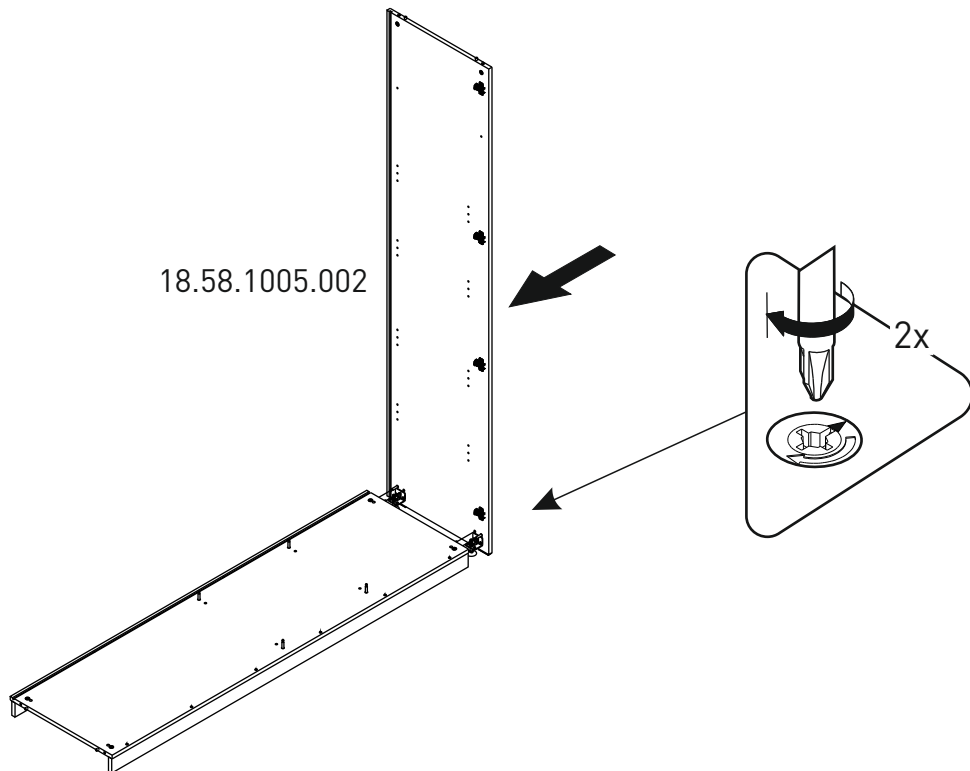
3

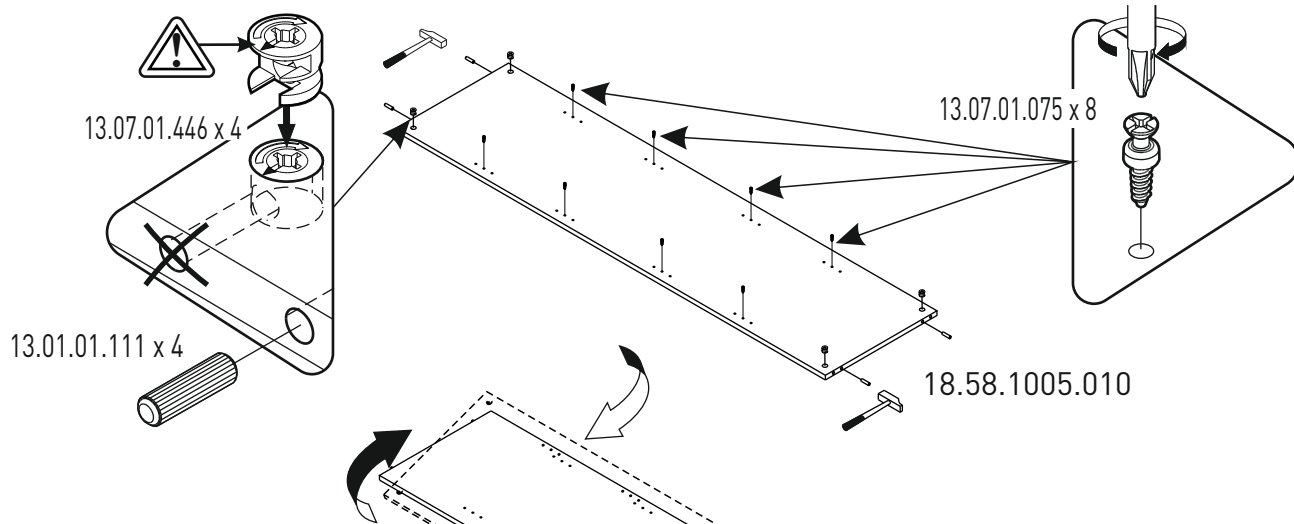


4

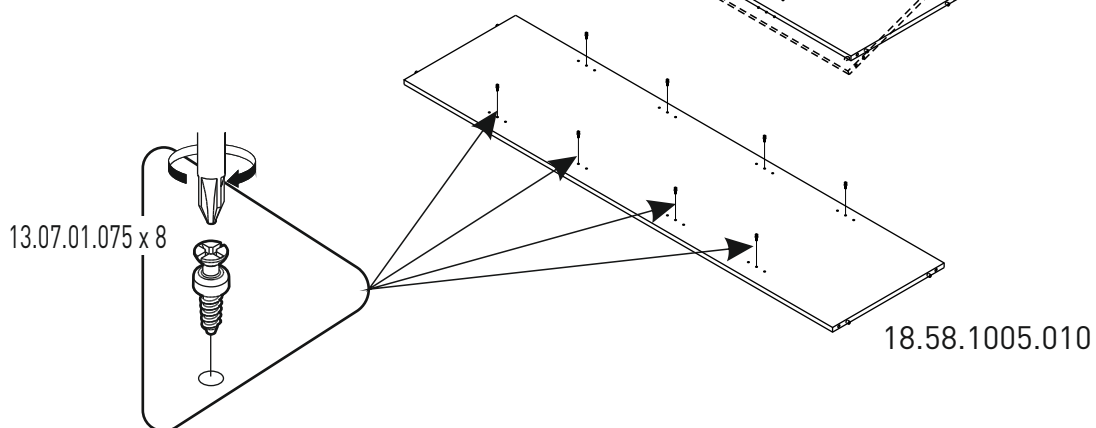


5

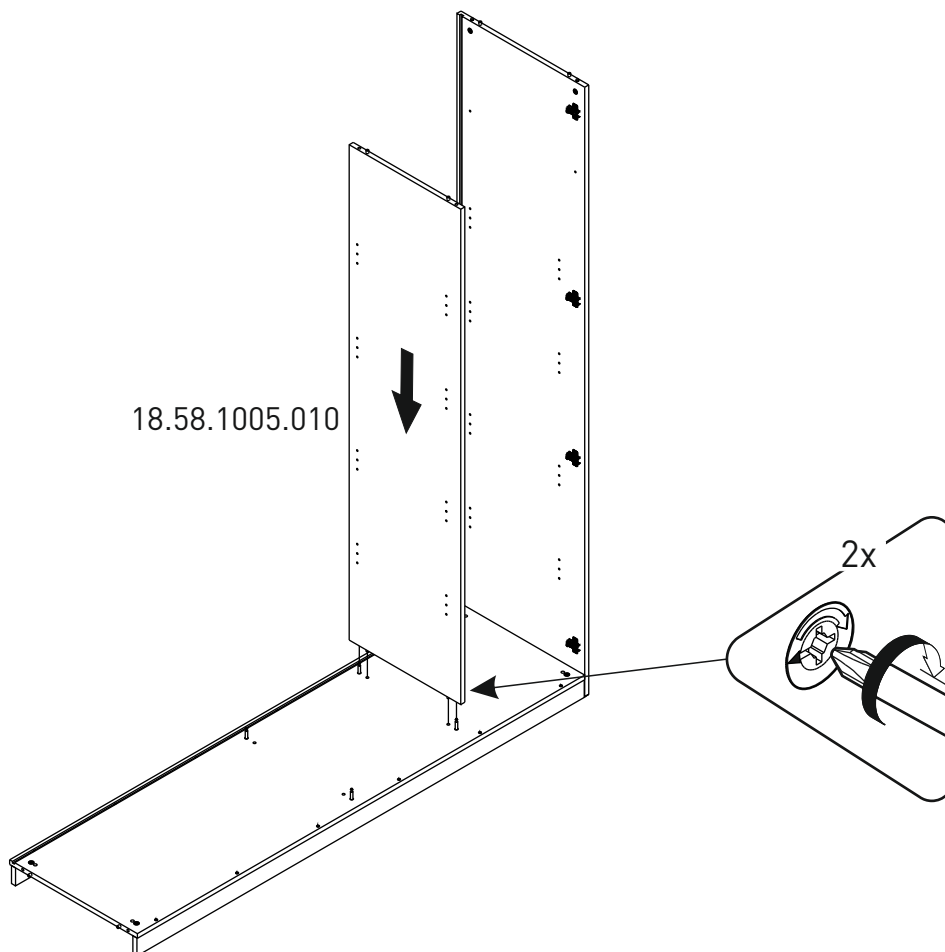




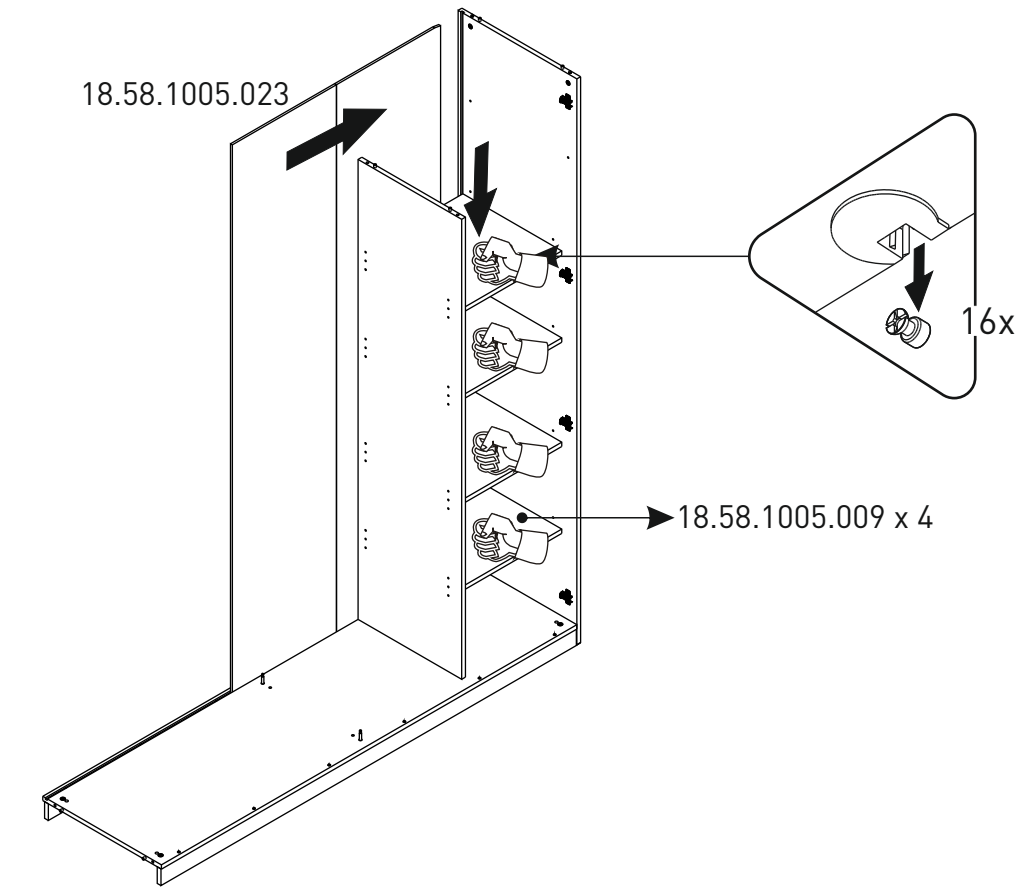
6



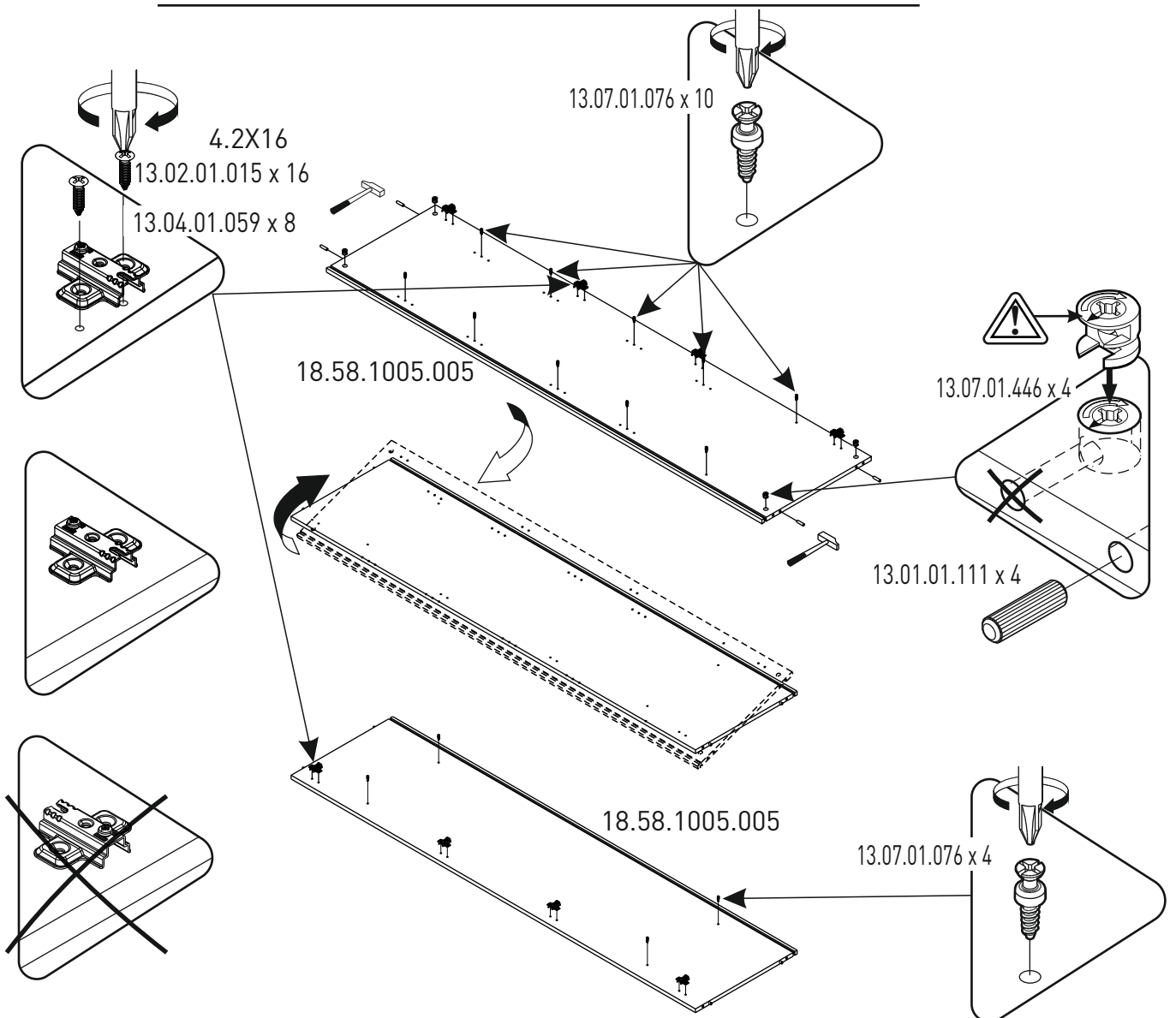
7



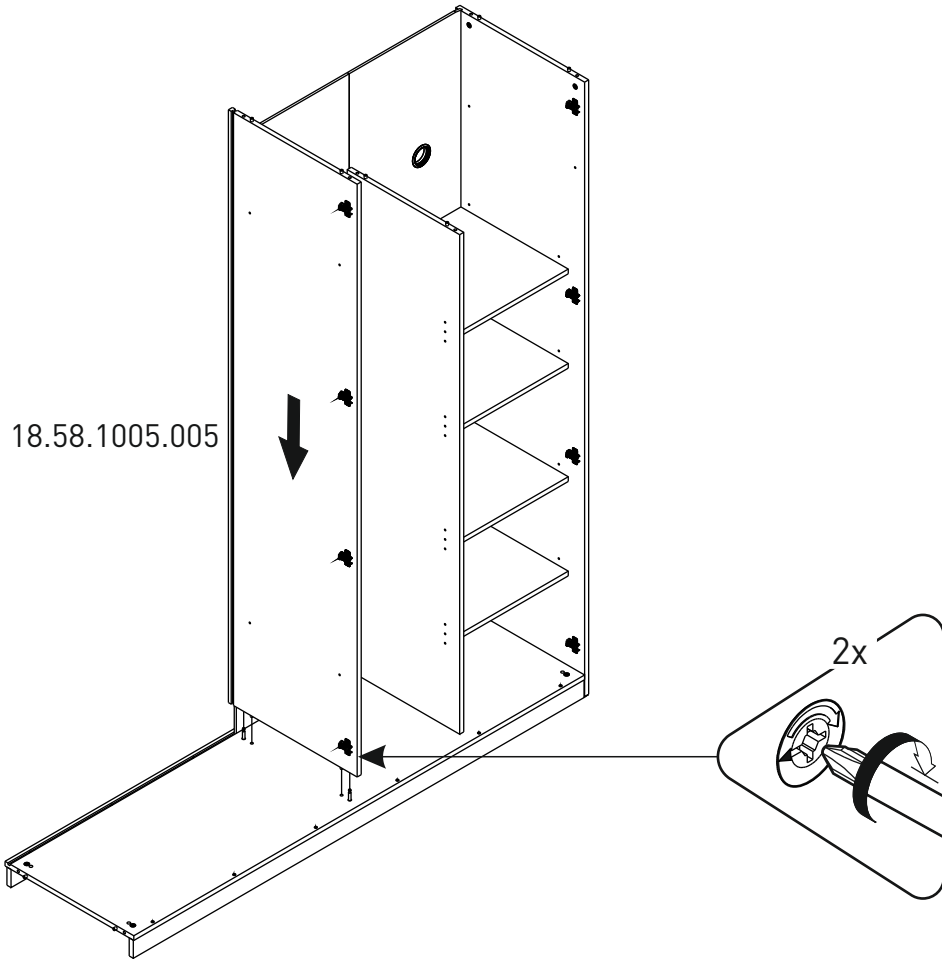
8



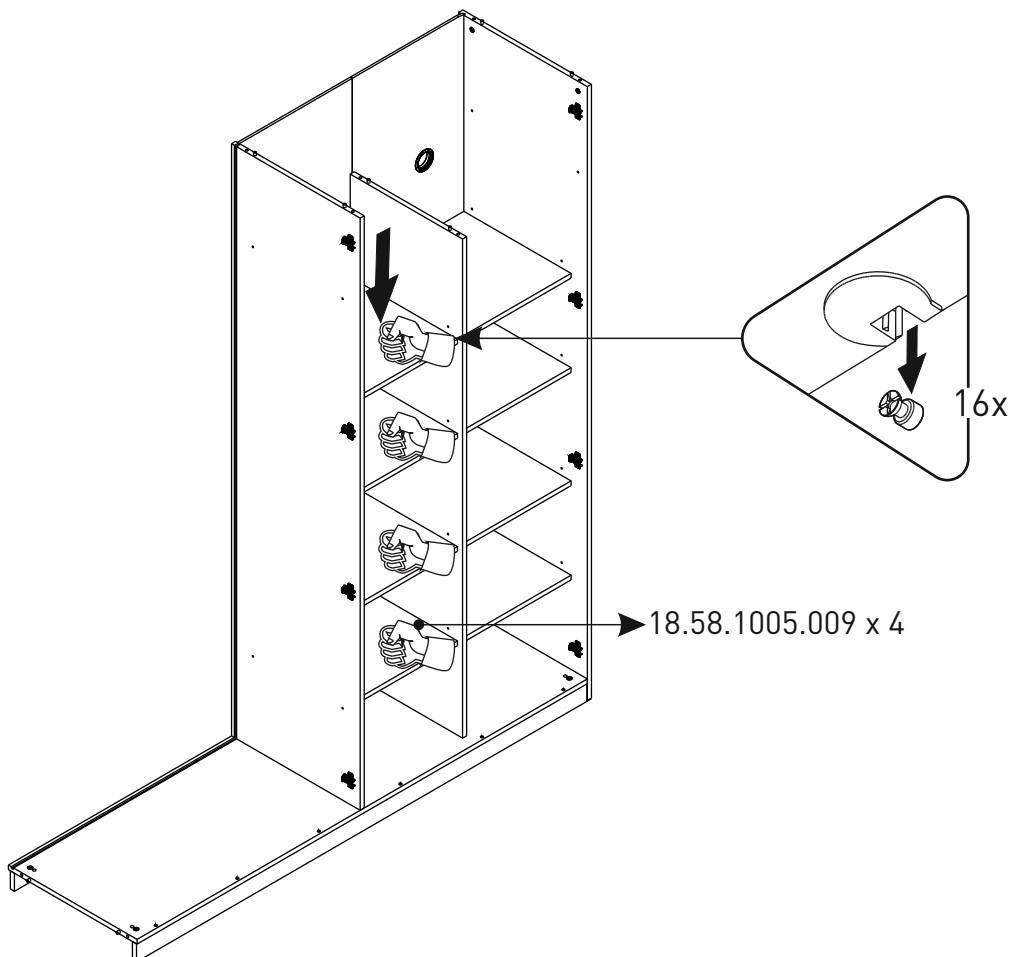
9



10

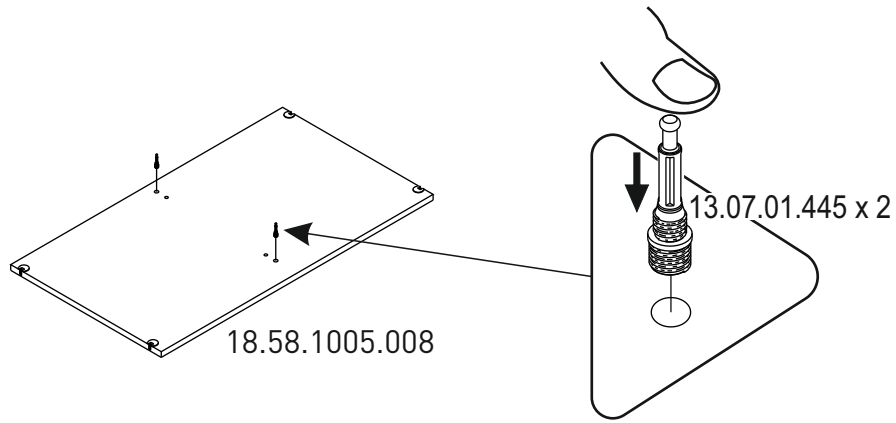


11

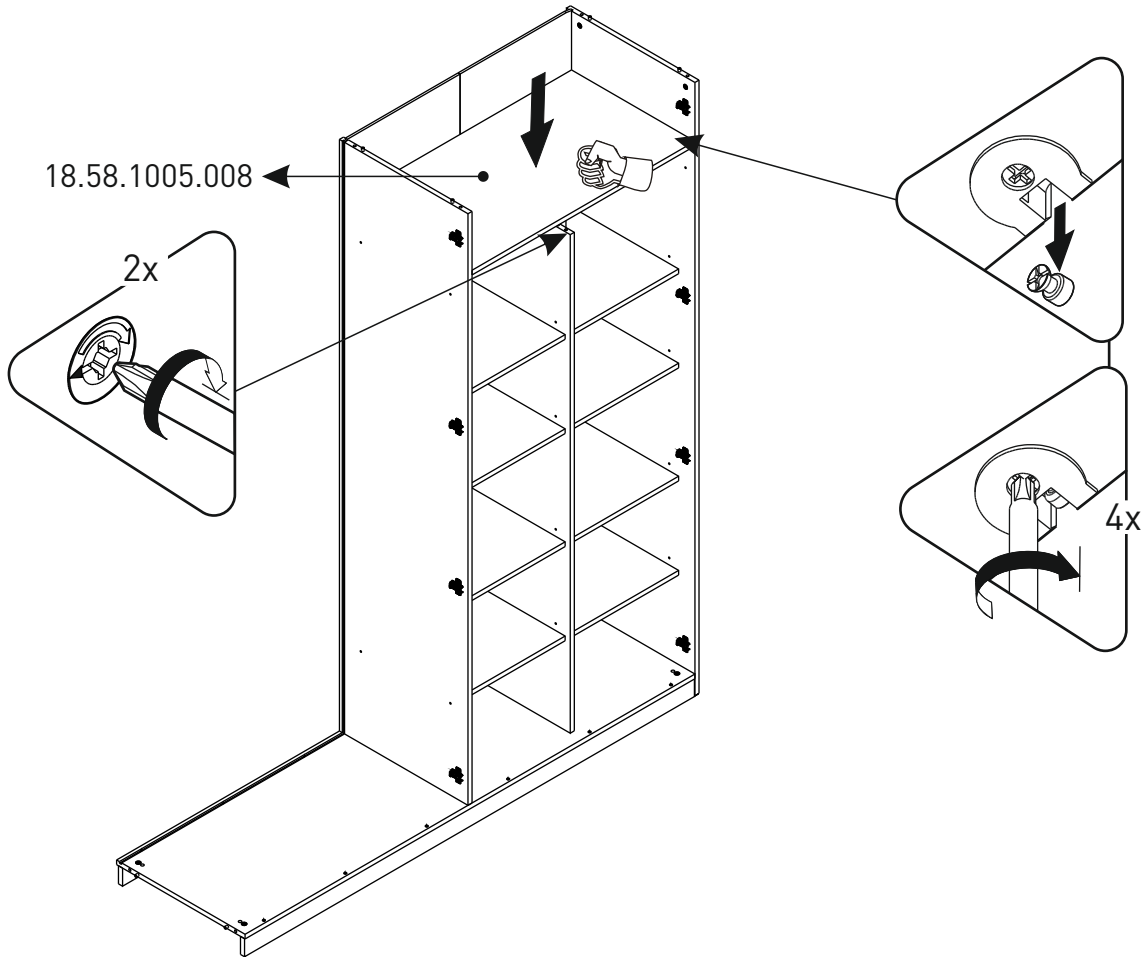




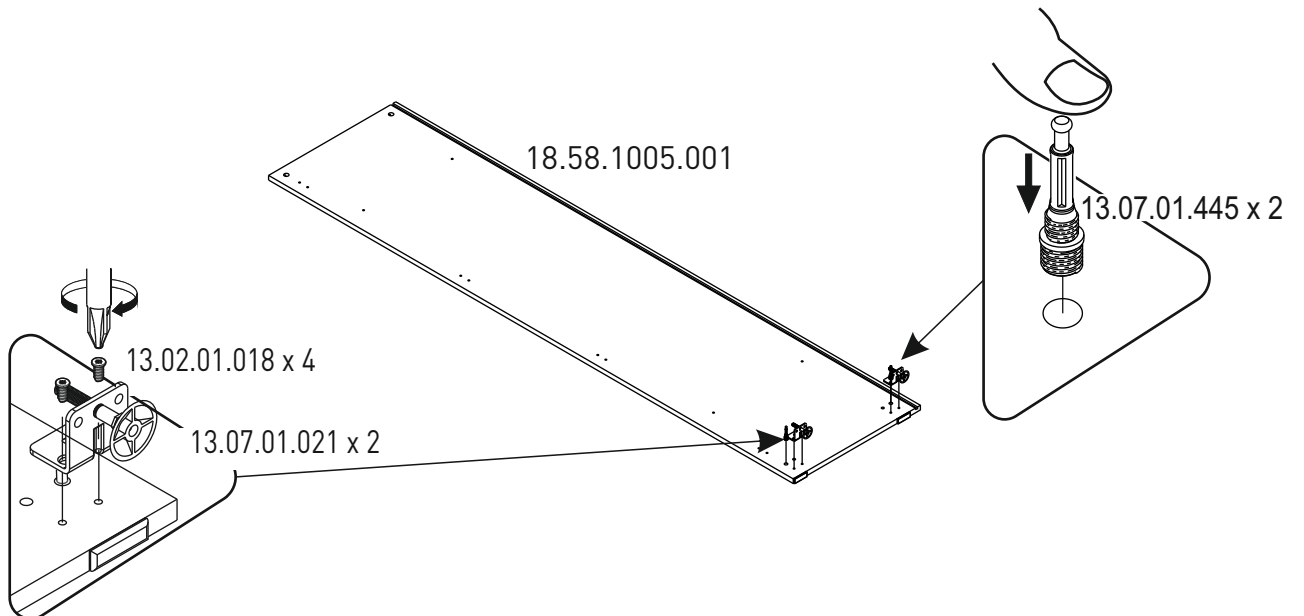
12



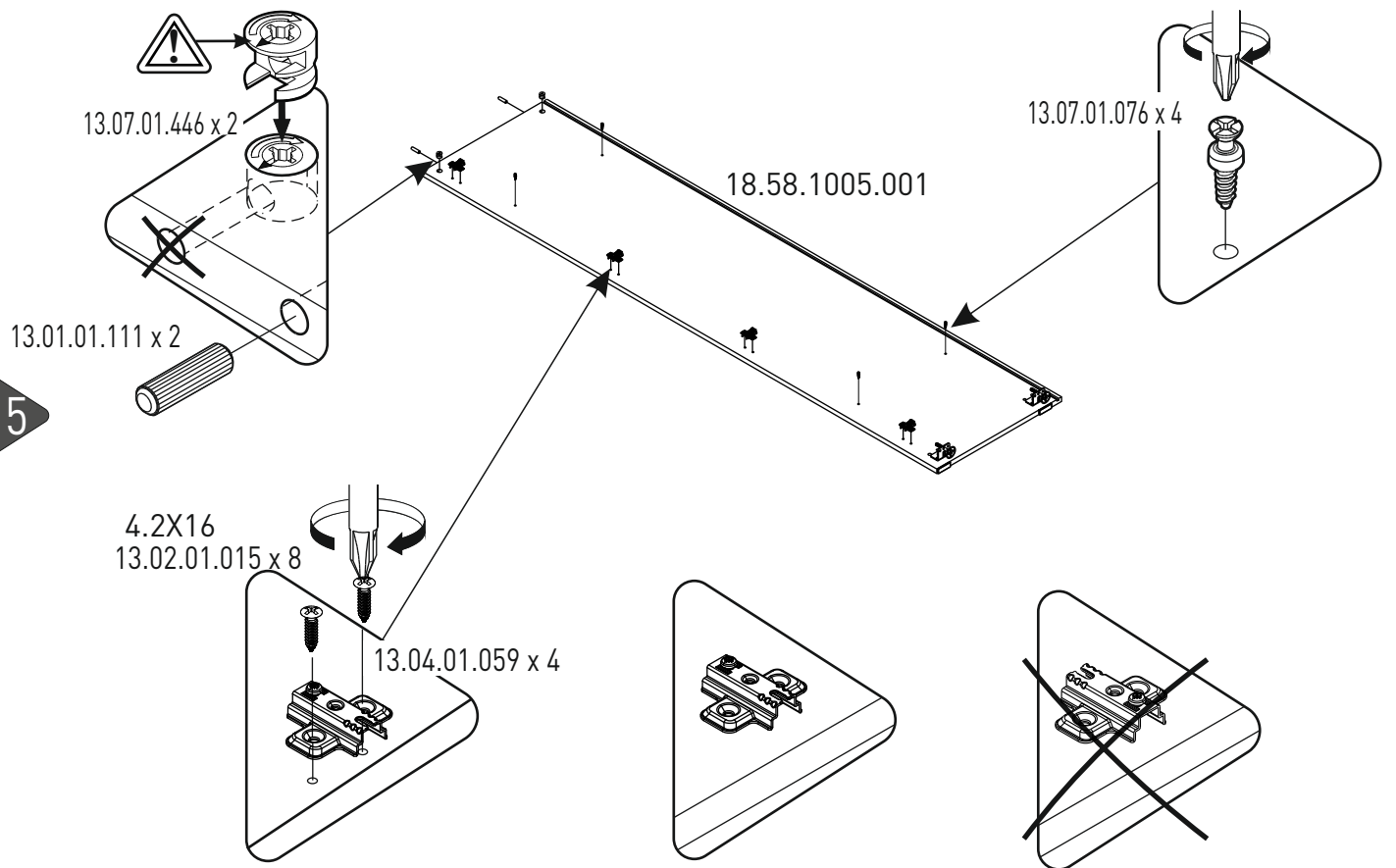
13



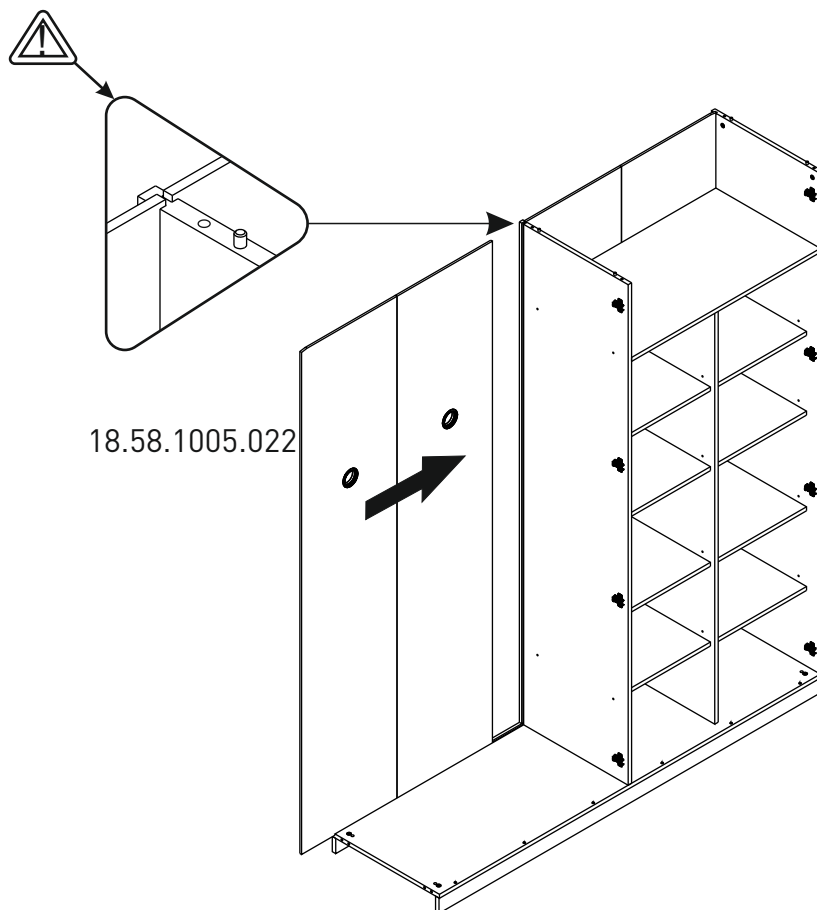
14



15

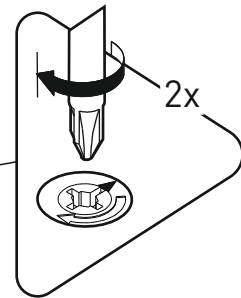
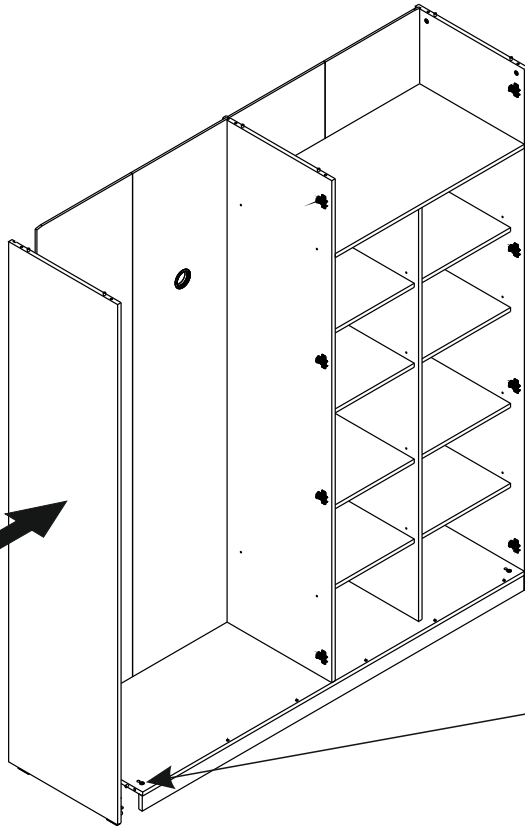


16



17

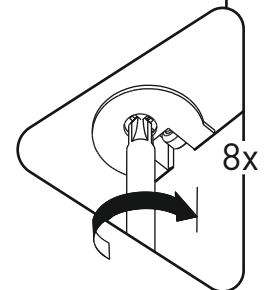
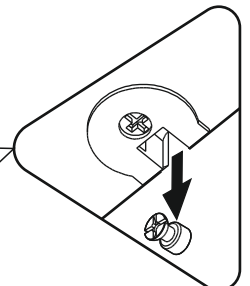
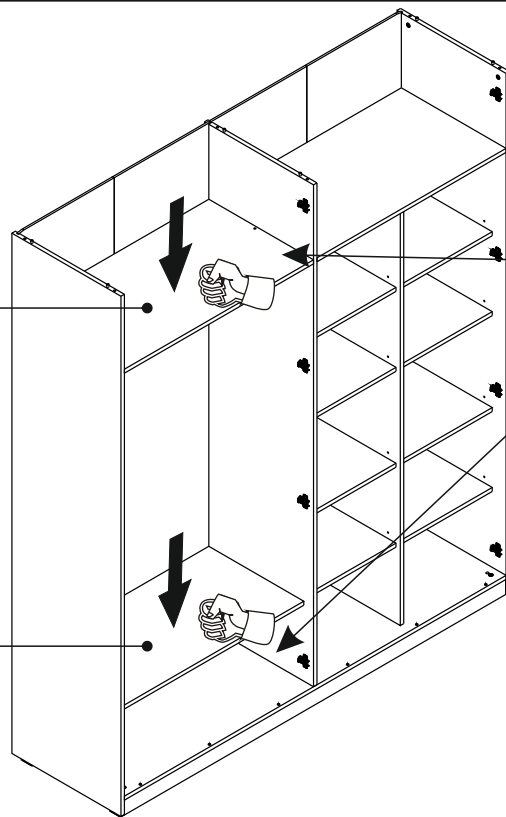
18.58.1005.001



18

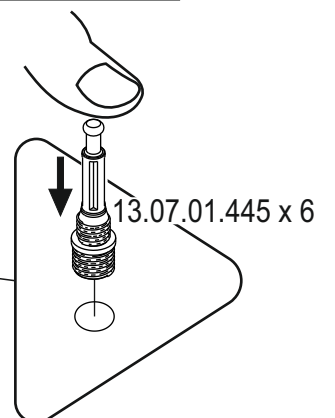
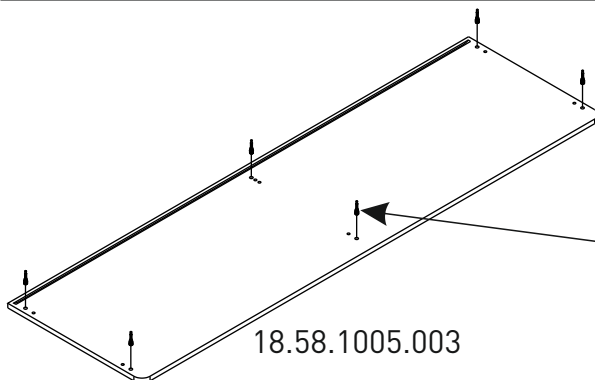
18.58.1005.006

18.58.1005.007

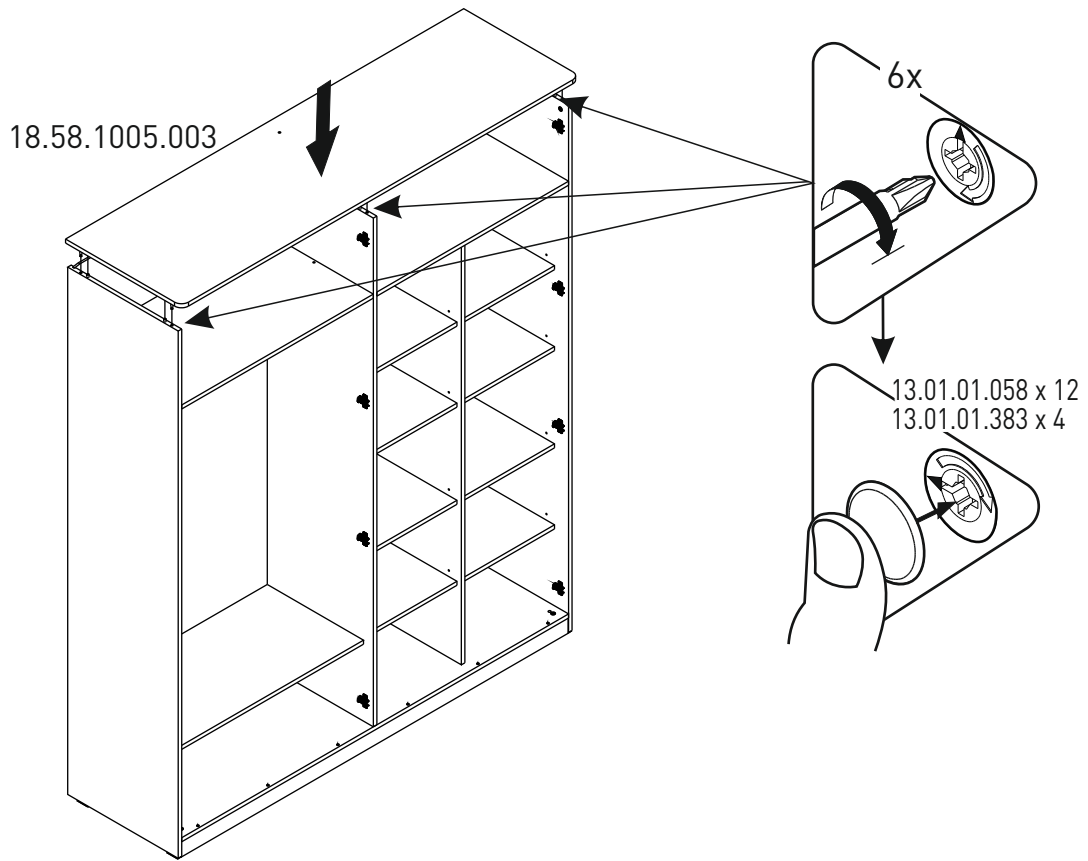


19

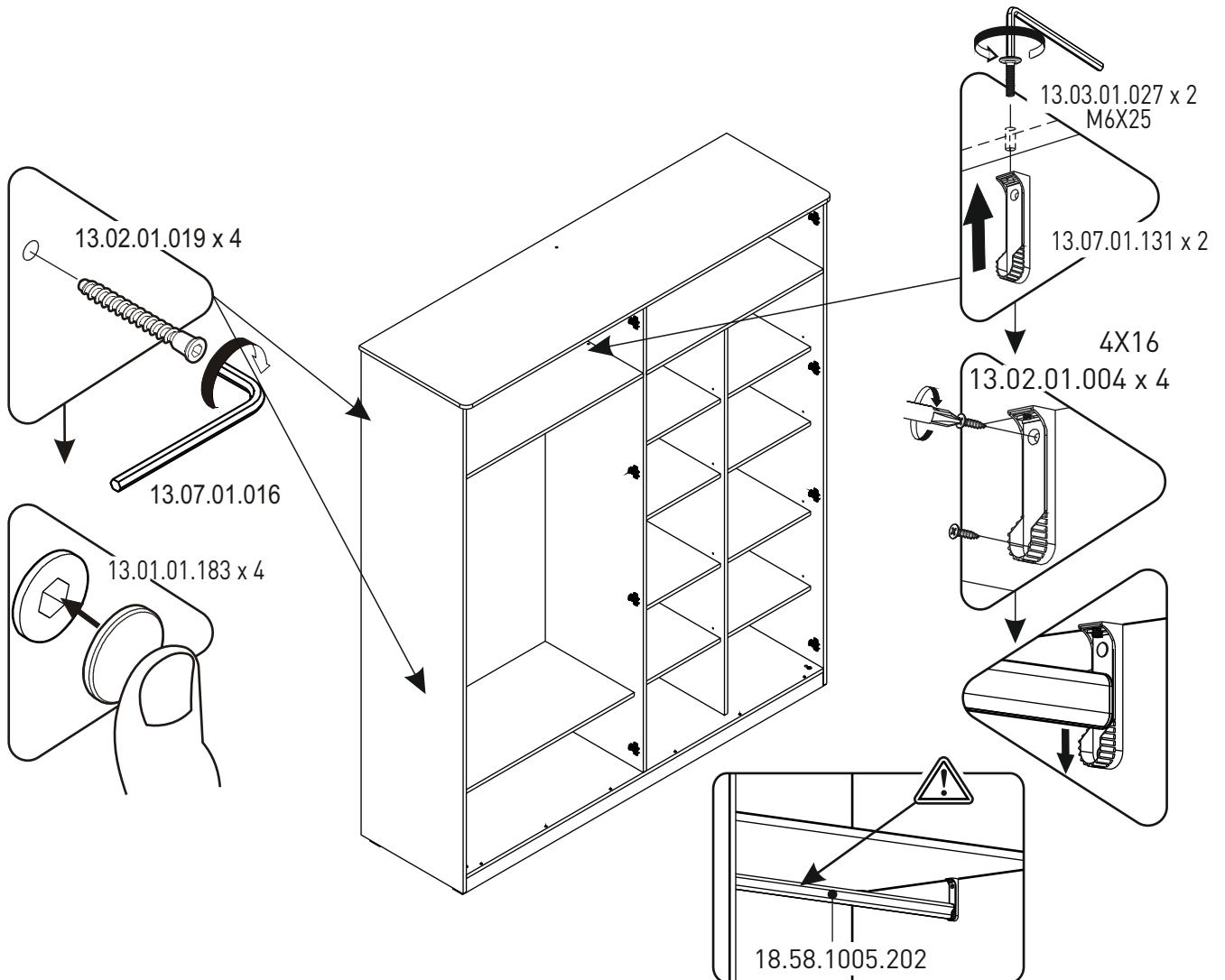
18.58.1005.003



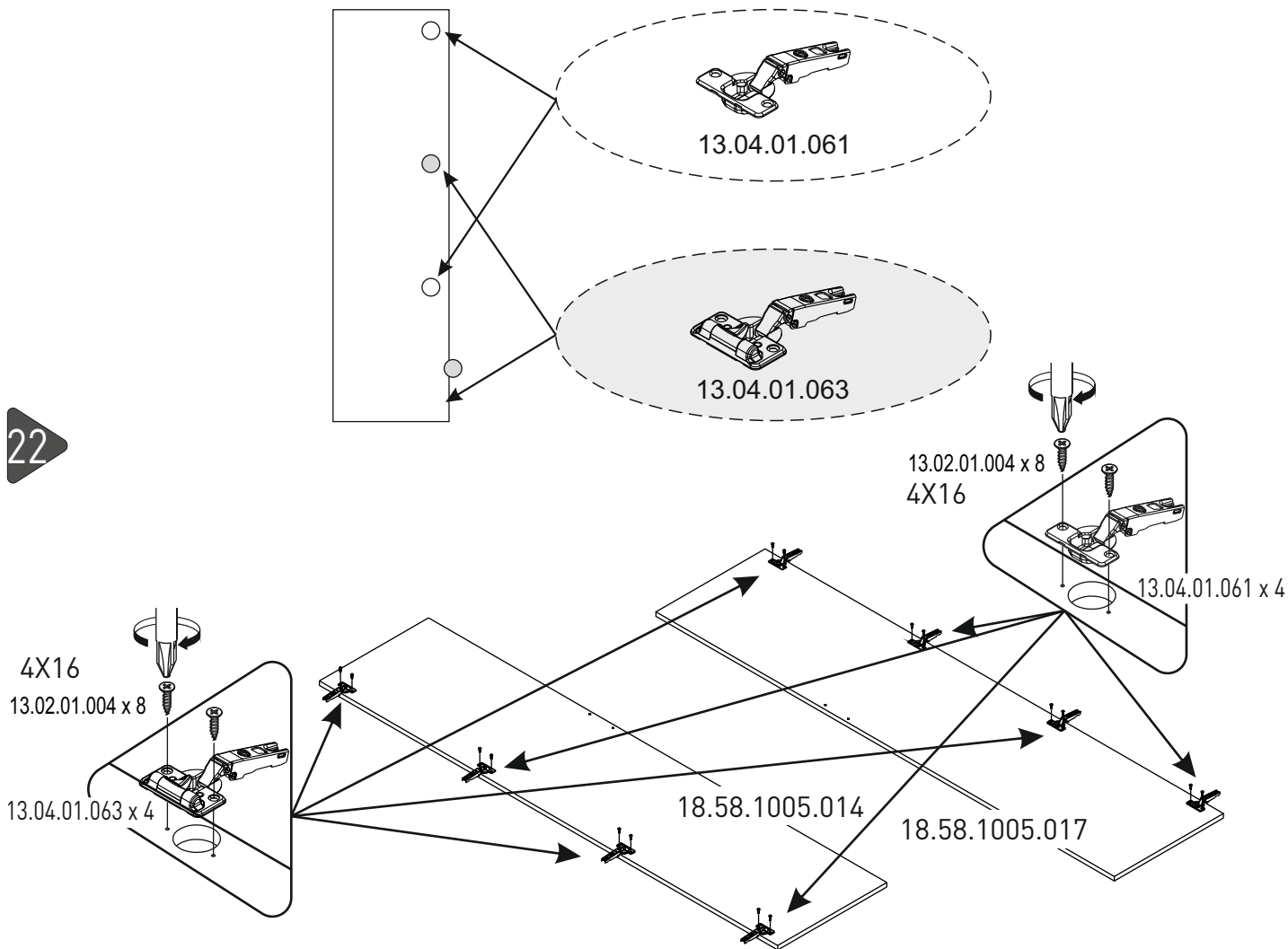
20



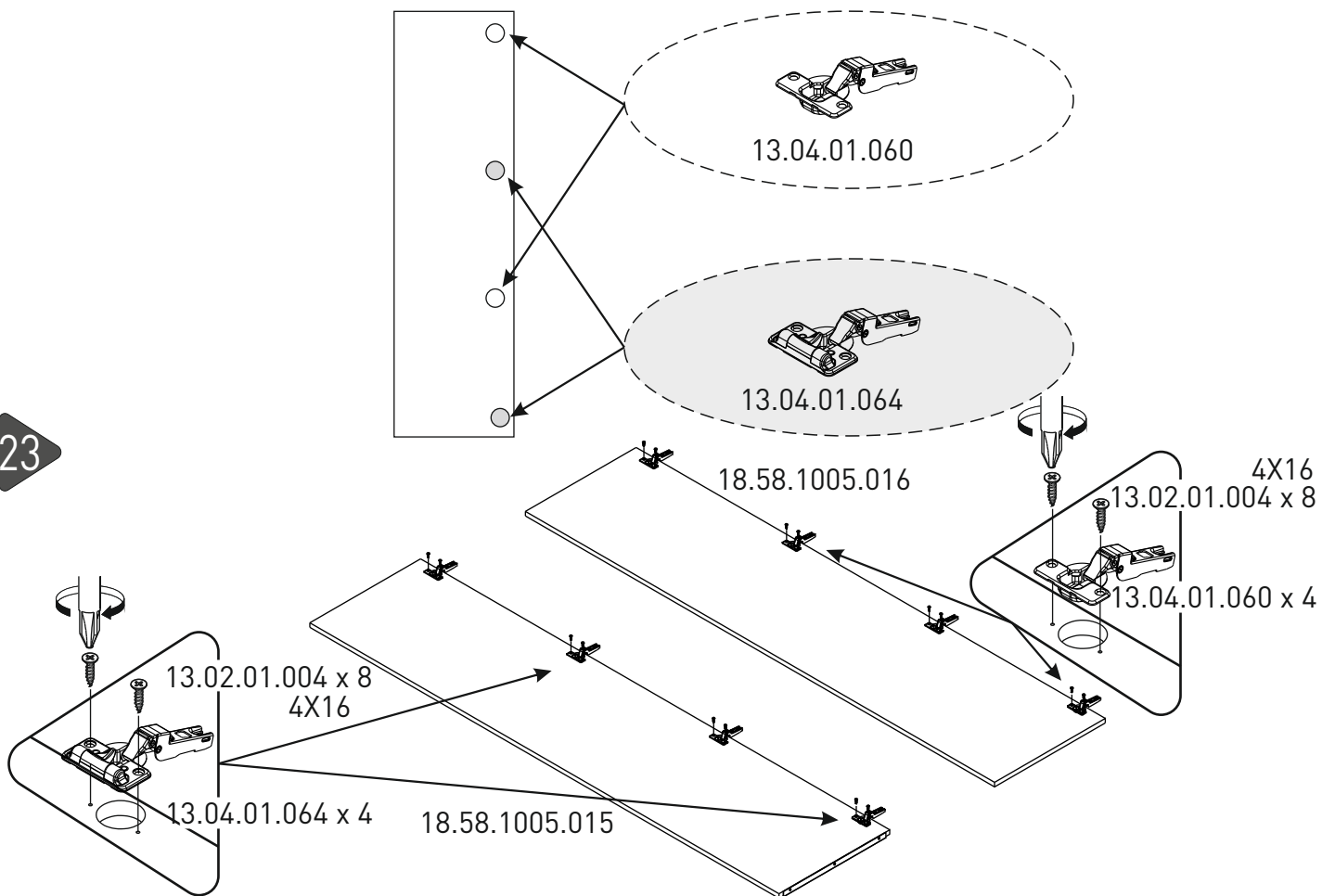
21



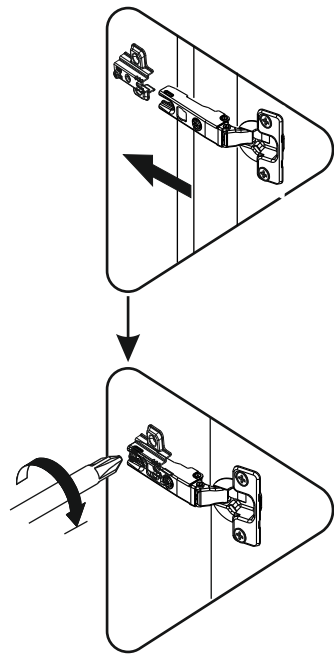
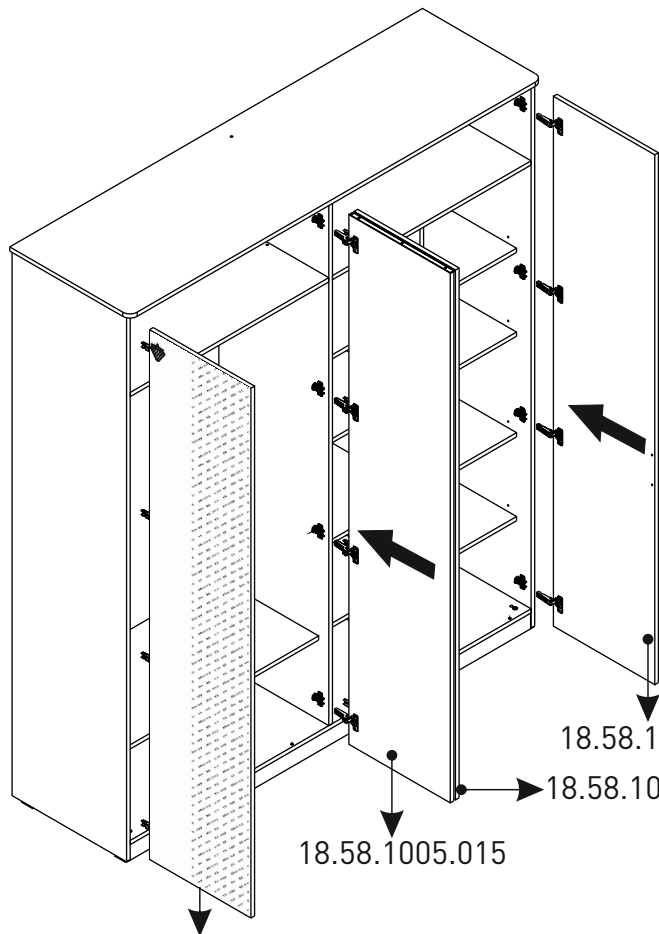
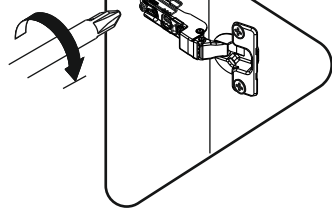
22



23



24



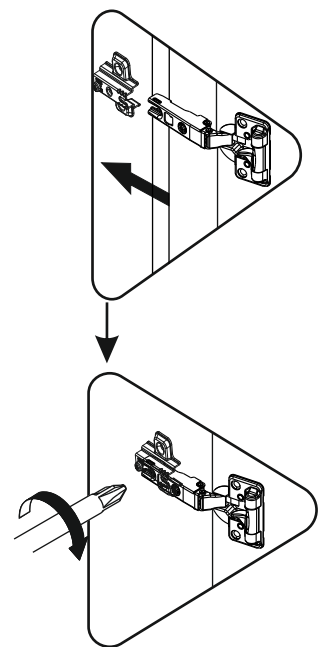
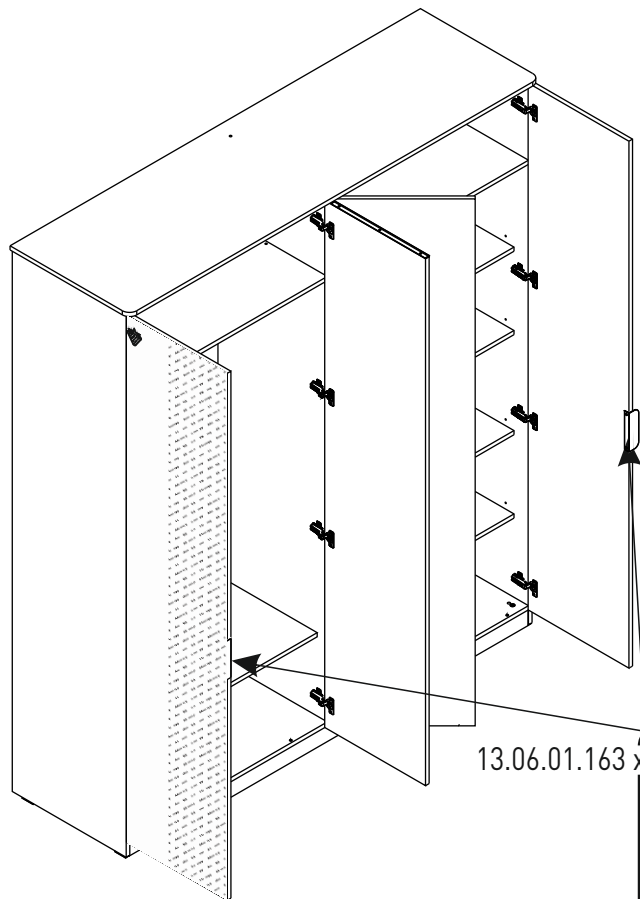
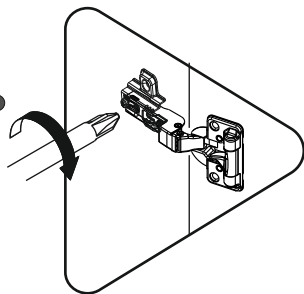
18.58.1005.014

18.58.1005.015

18.58.1005.017

18.58.1005.016

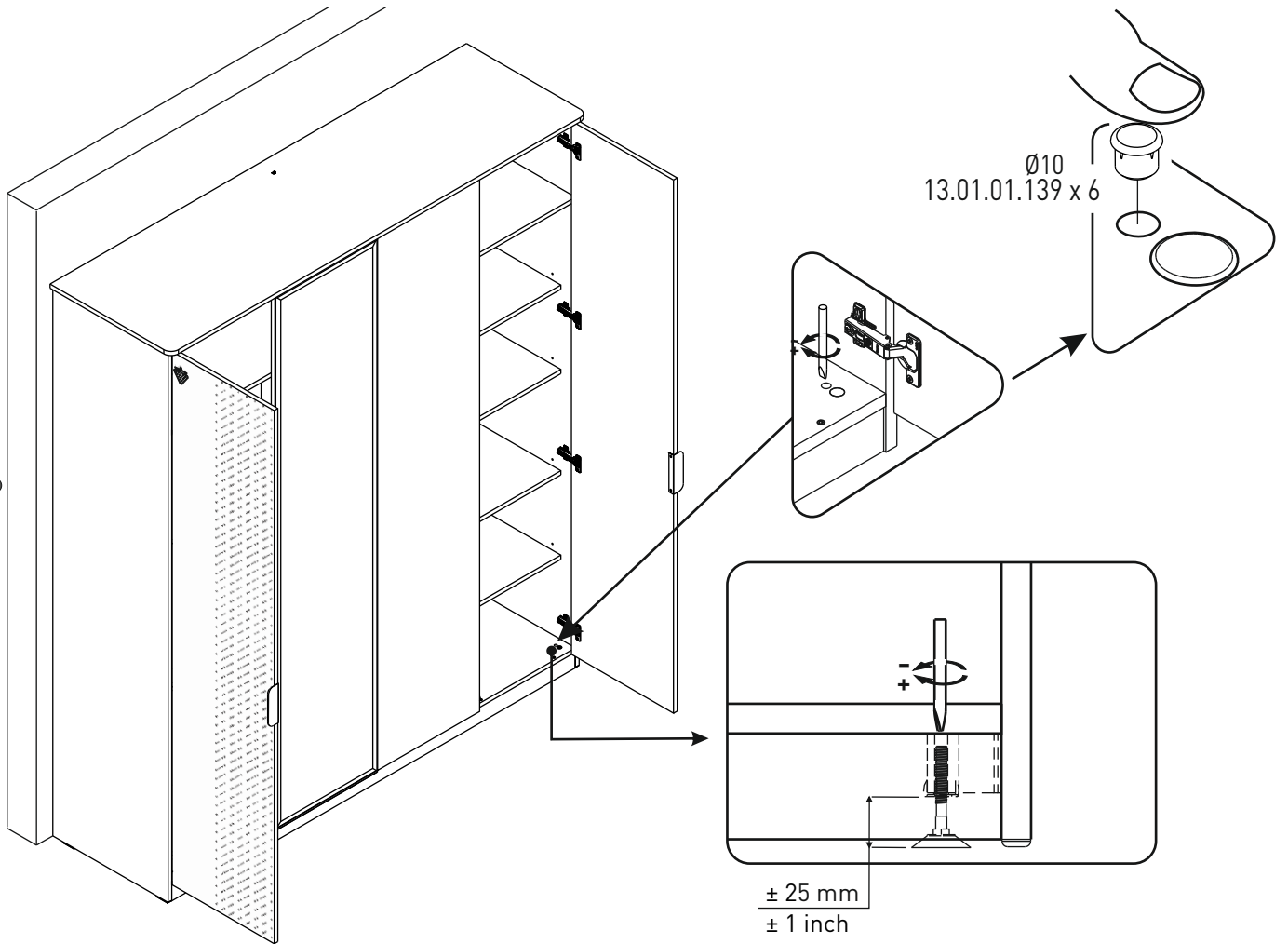
25



13.06.01.163 x 2

3,5X16  
13.02.01.002 x 4

26



27

