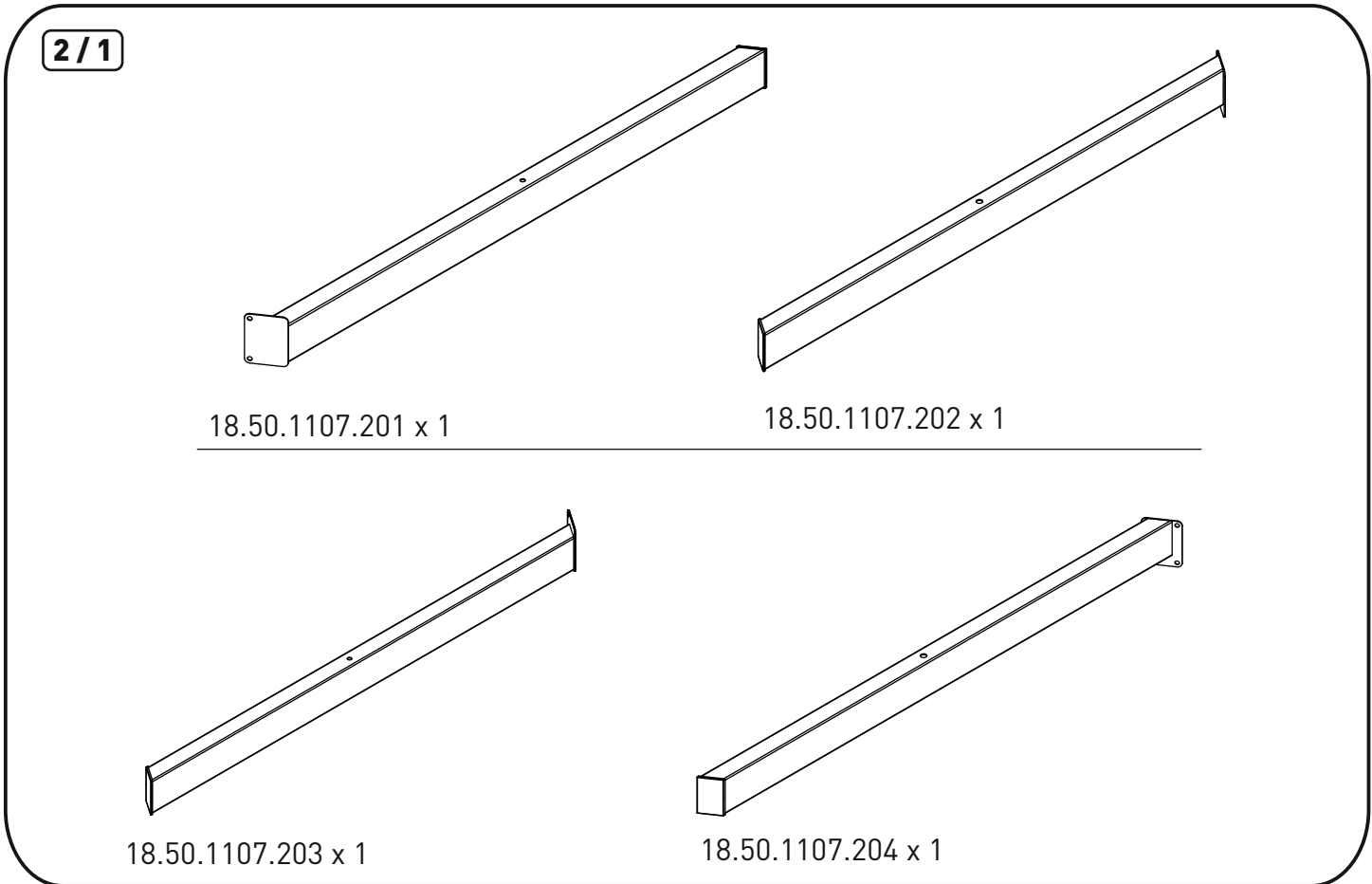
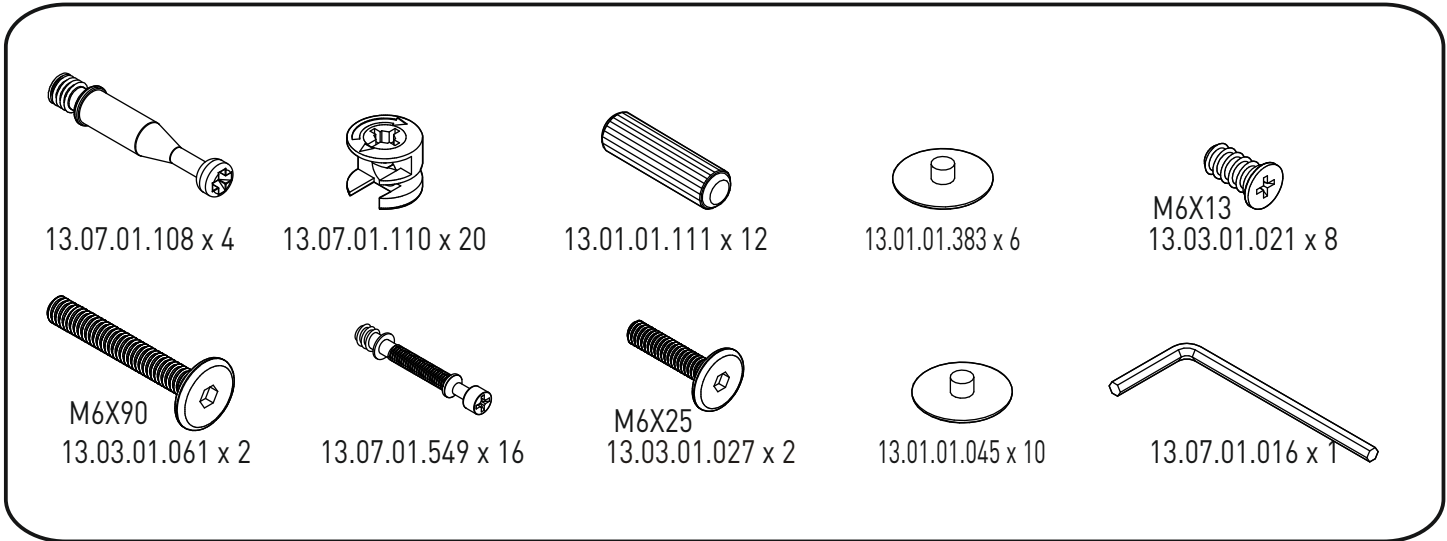
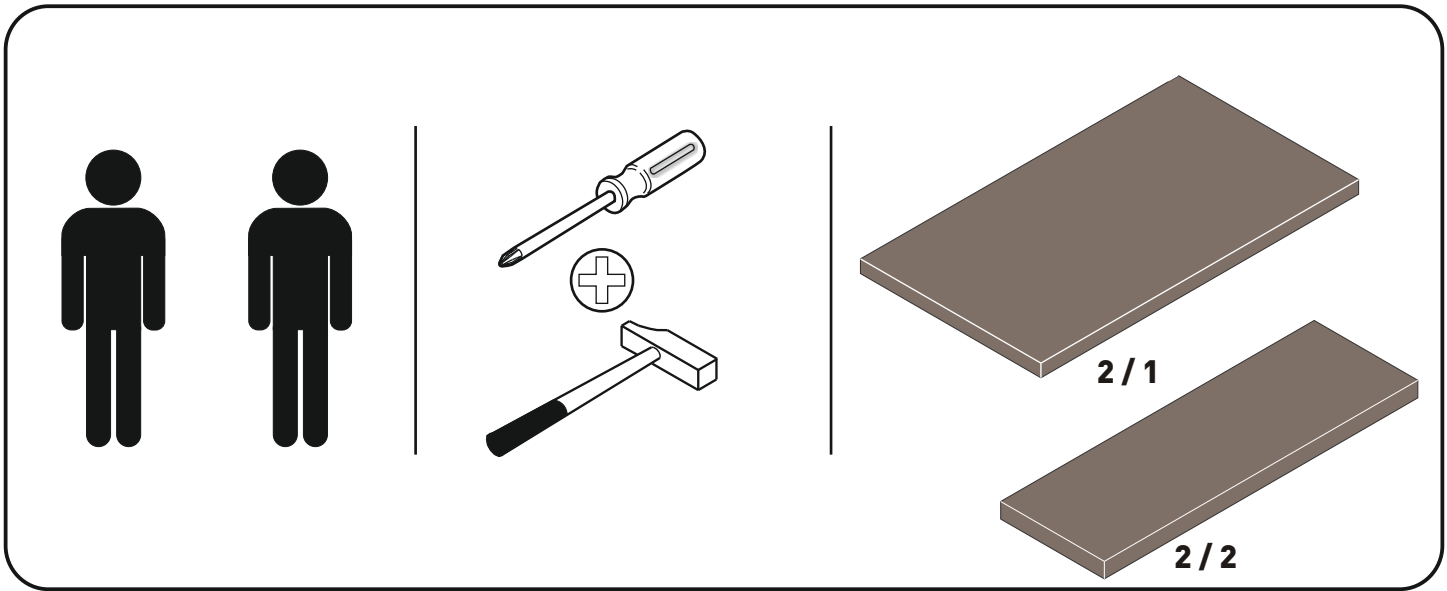
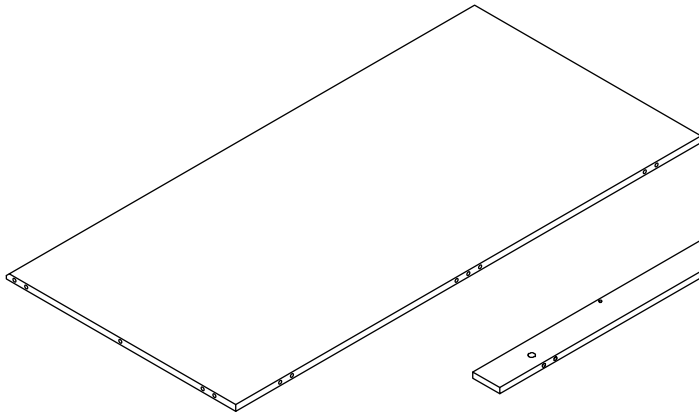


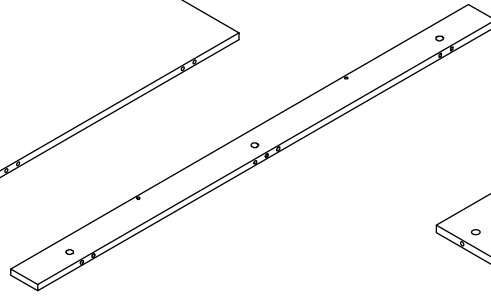
20.50.1107.00



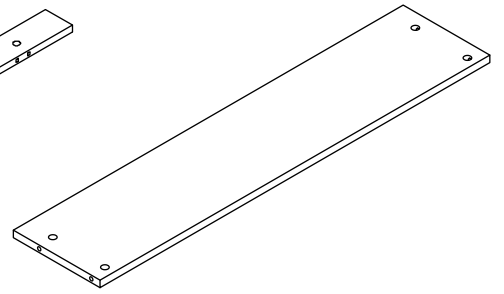




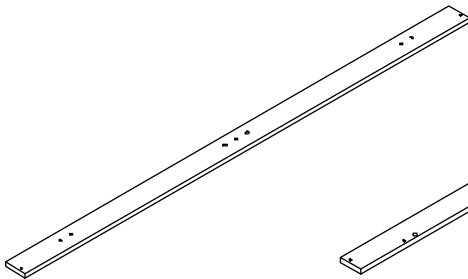
18.50.1107.001 x 1



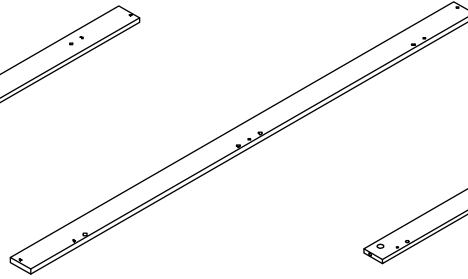
18.50.1107.002 x 1



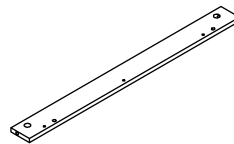
18.50.1107.003 x 1



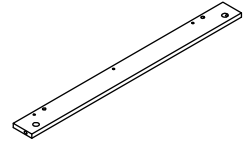
18.50.1107.004 x 1



18.50.1107.005 x 1

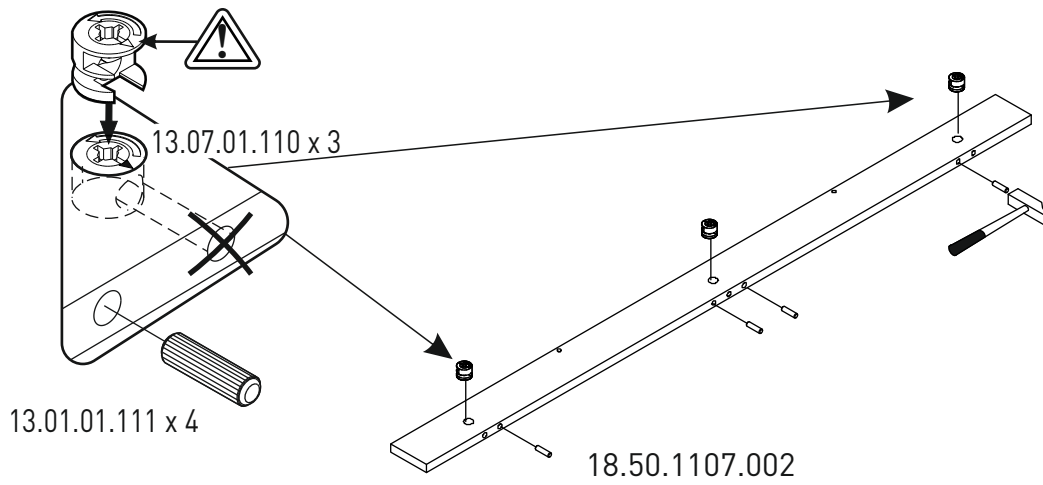


18.50.1107.006 x 1

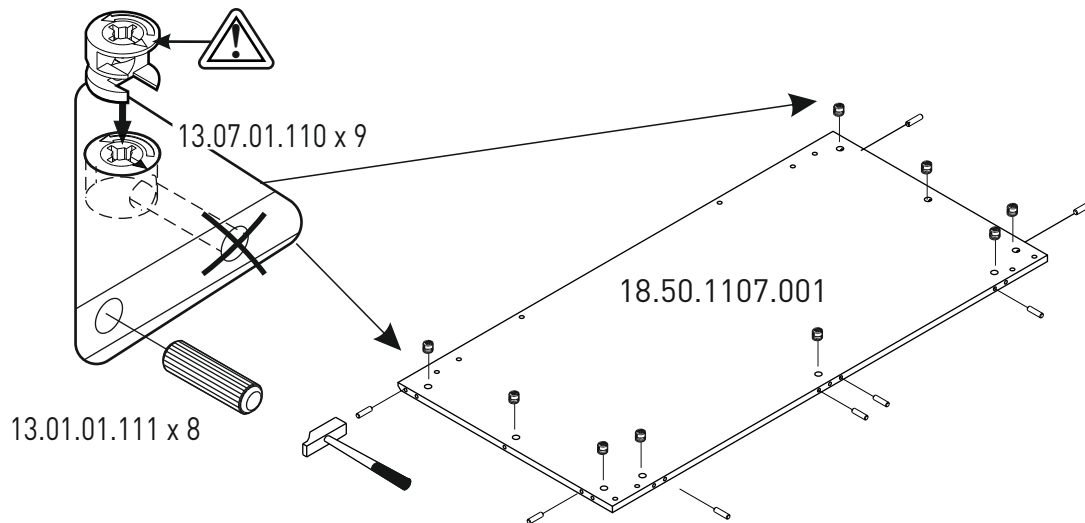


18.50.1107.007 x 1

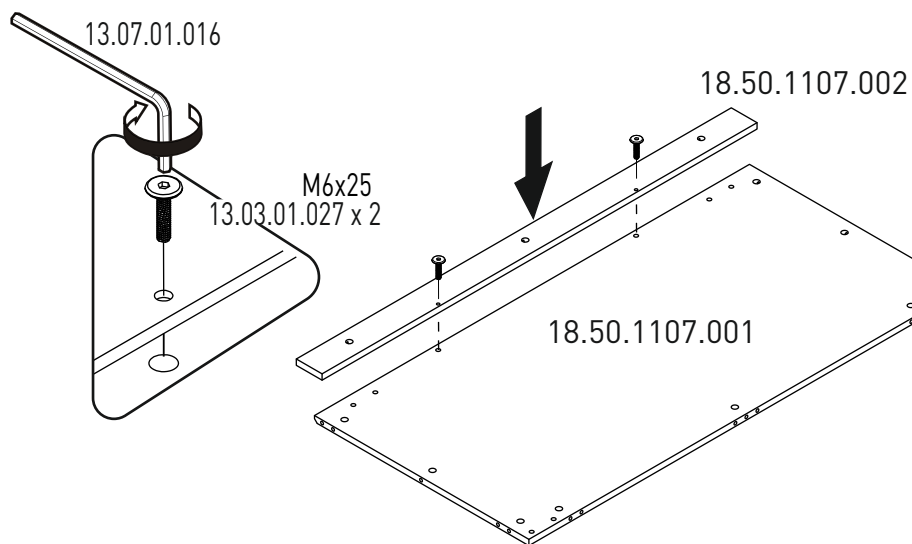
1



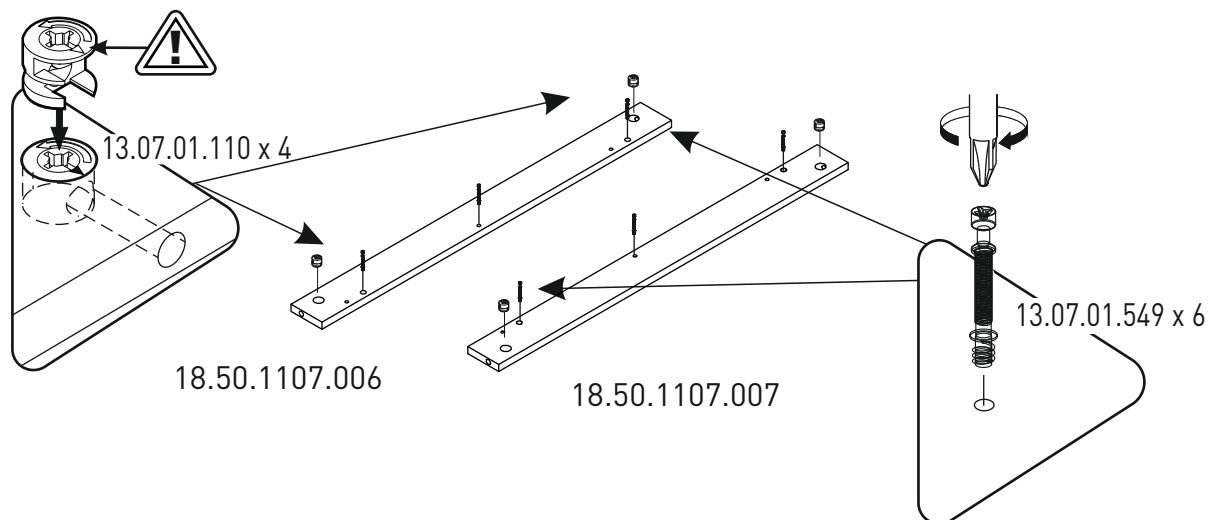
2



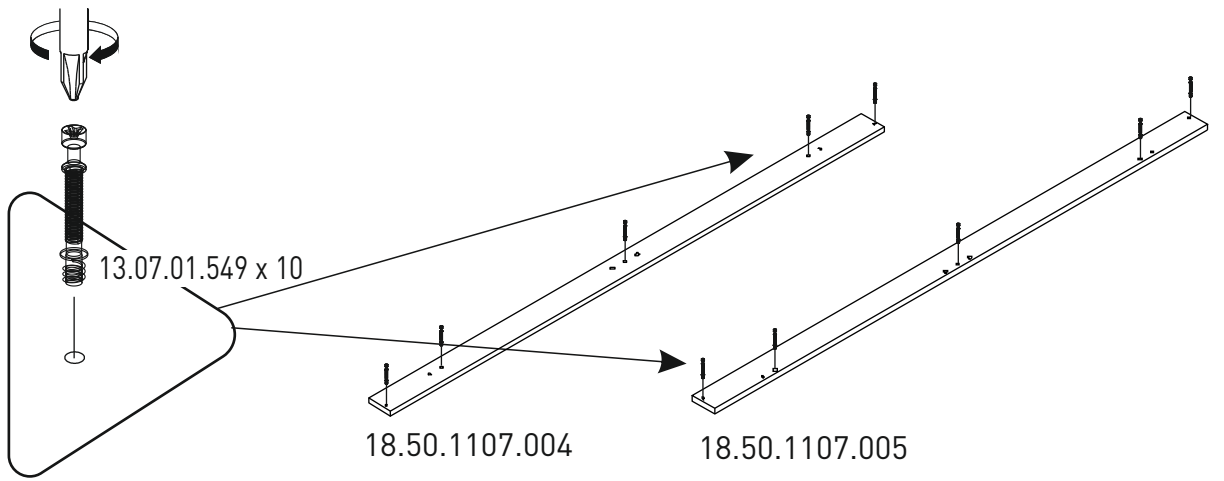
3



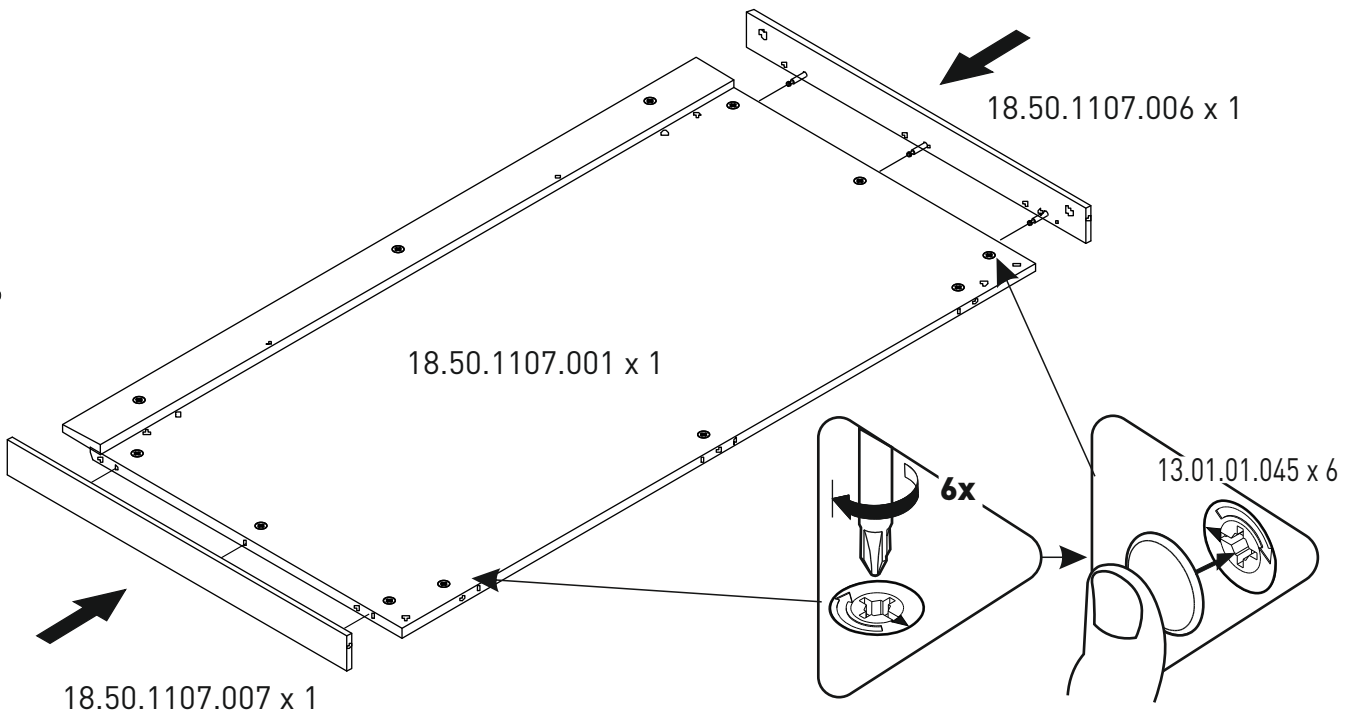
4



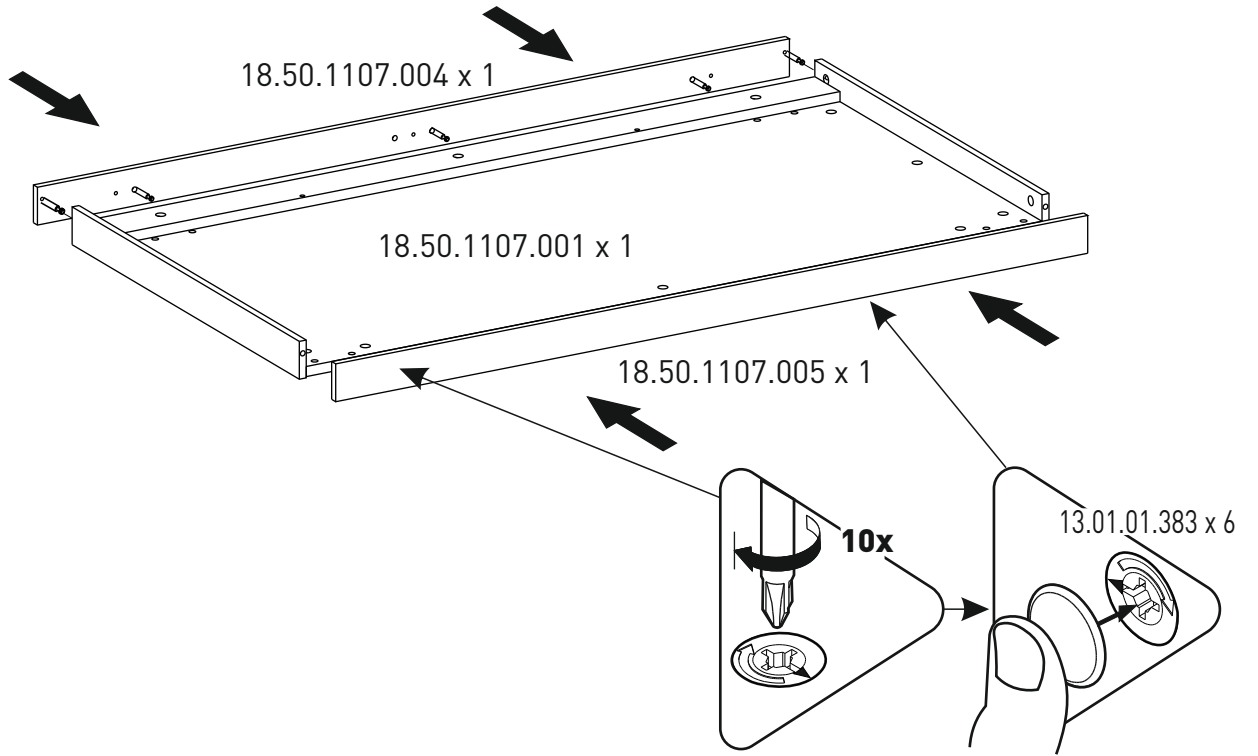
5



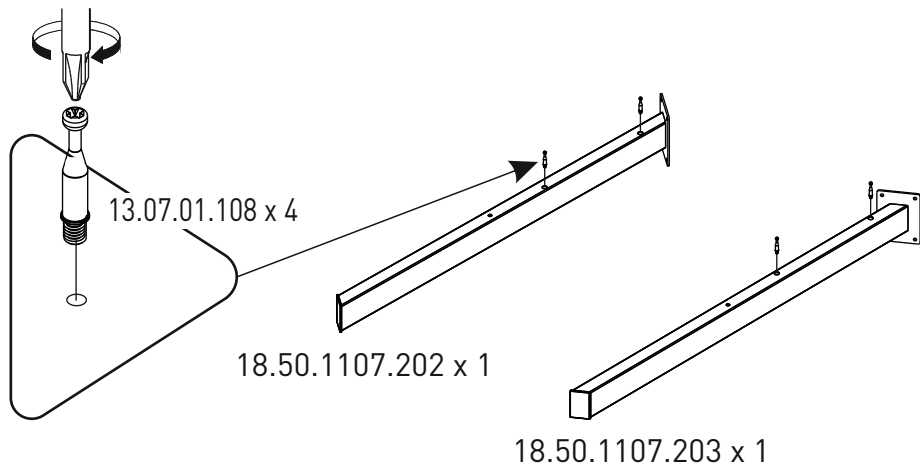
6



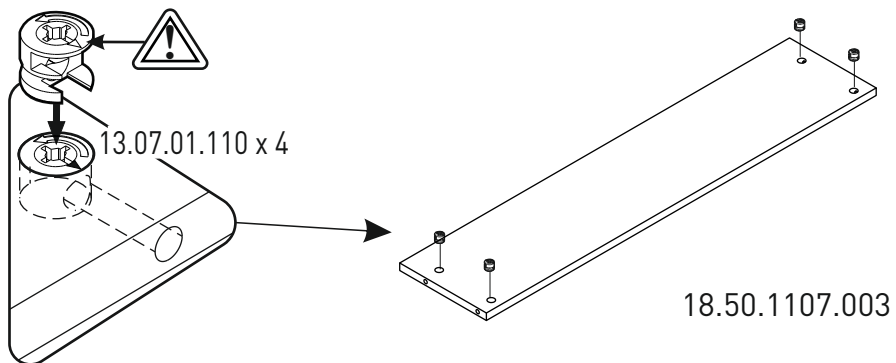
7



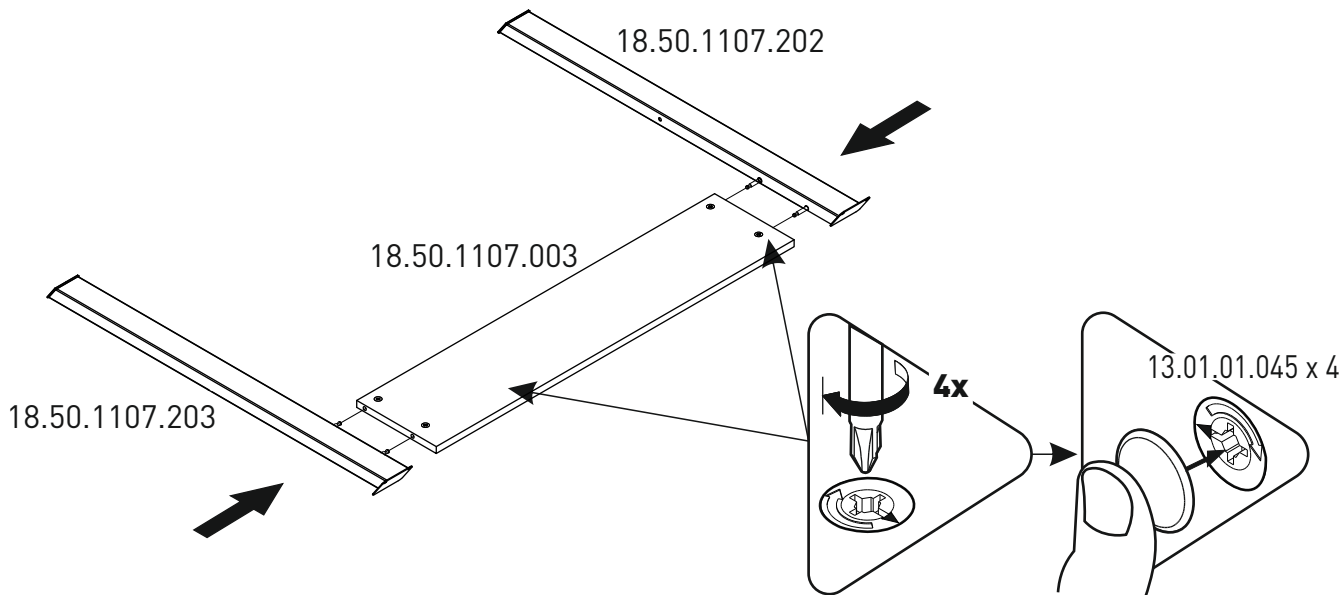
8



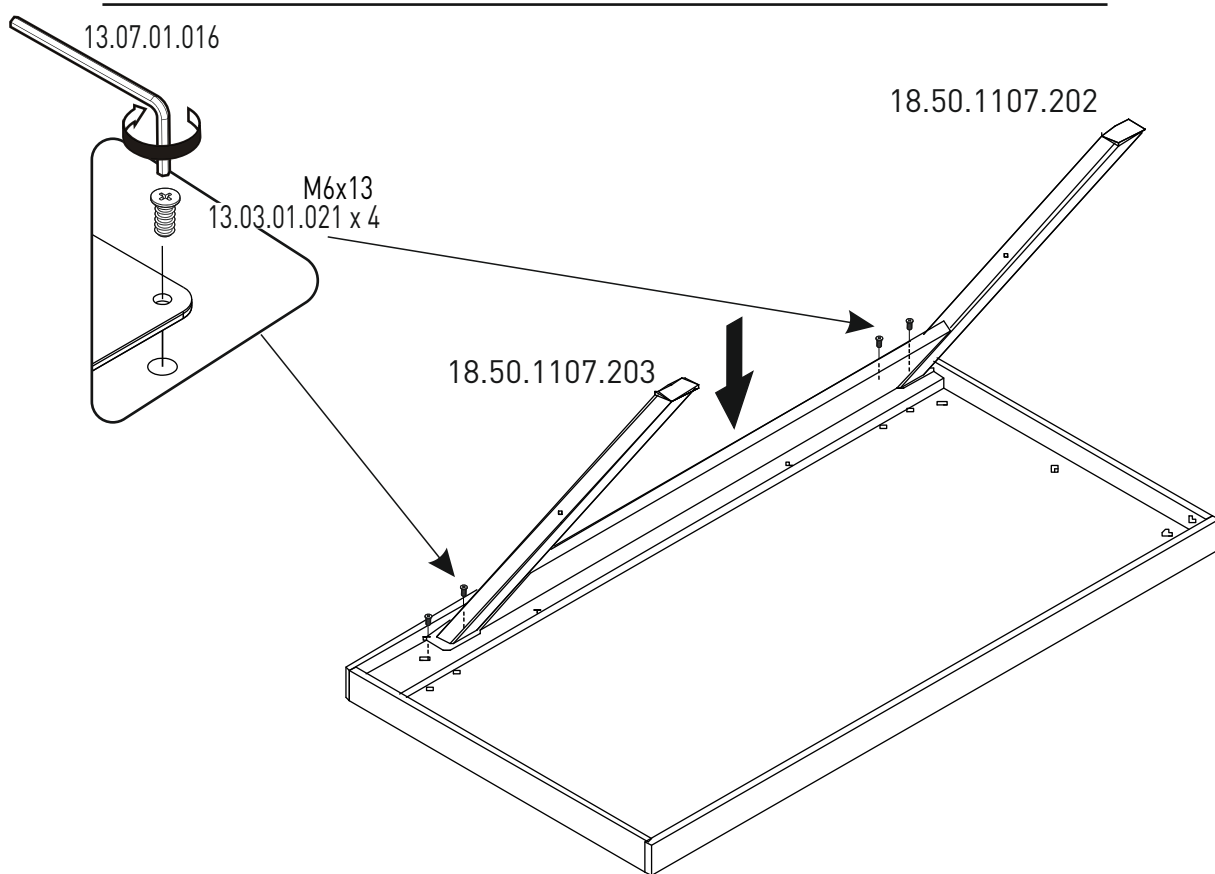
9



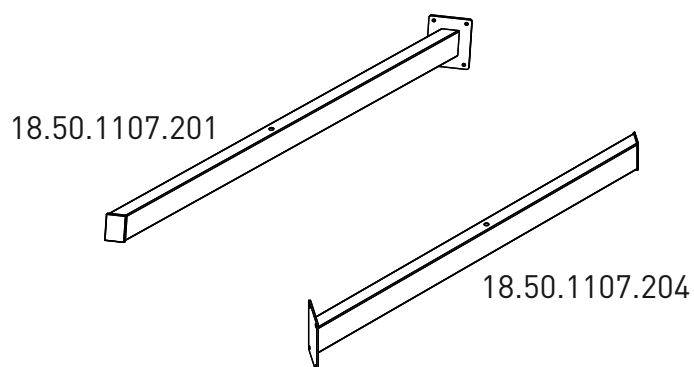
10



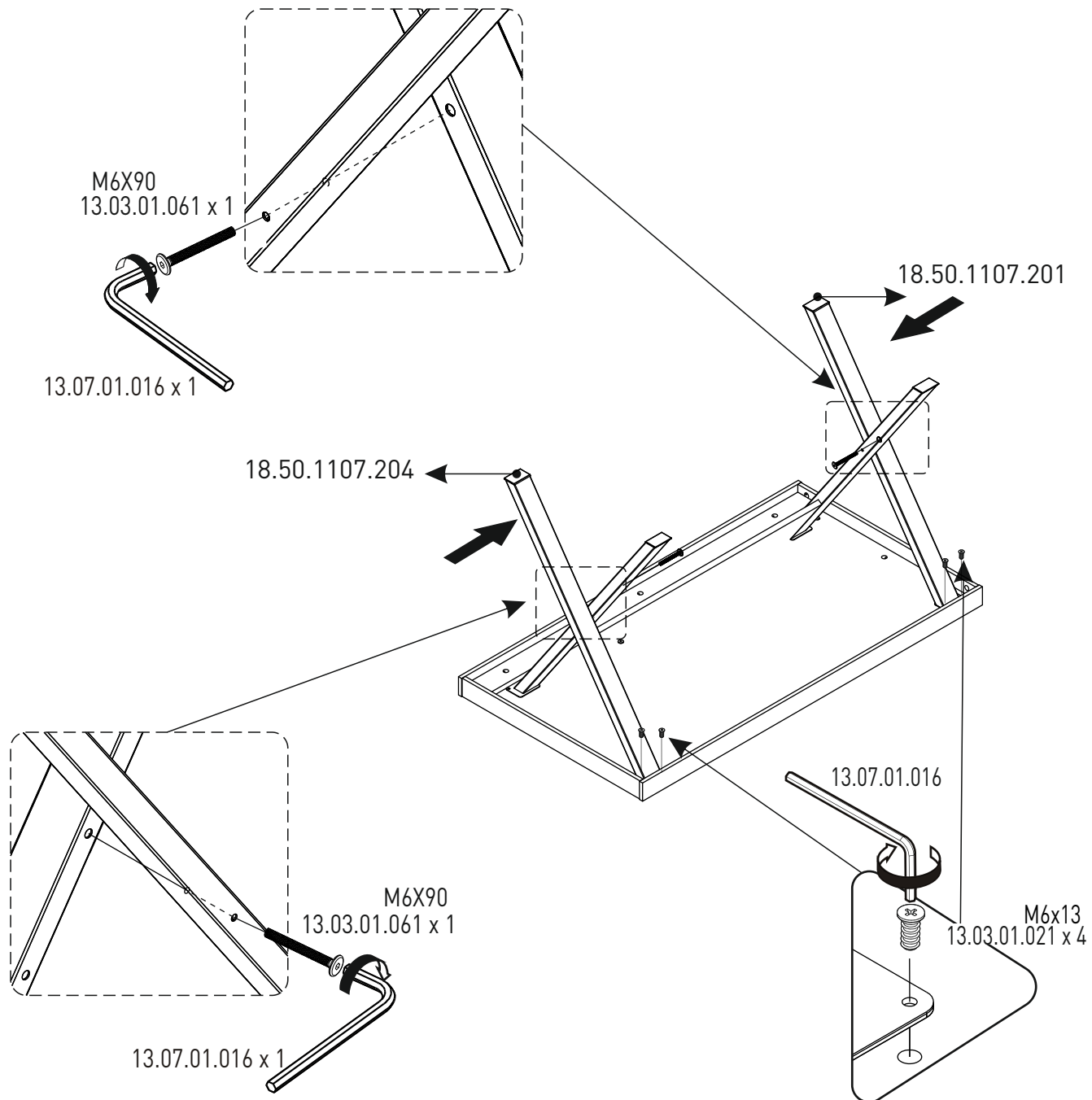
11



12



13



i

