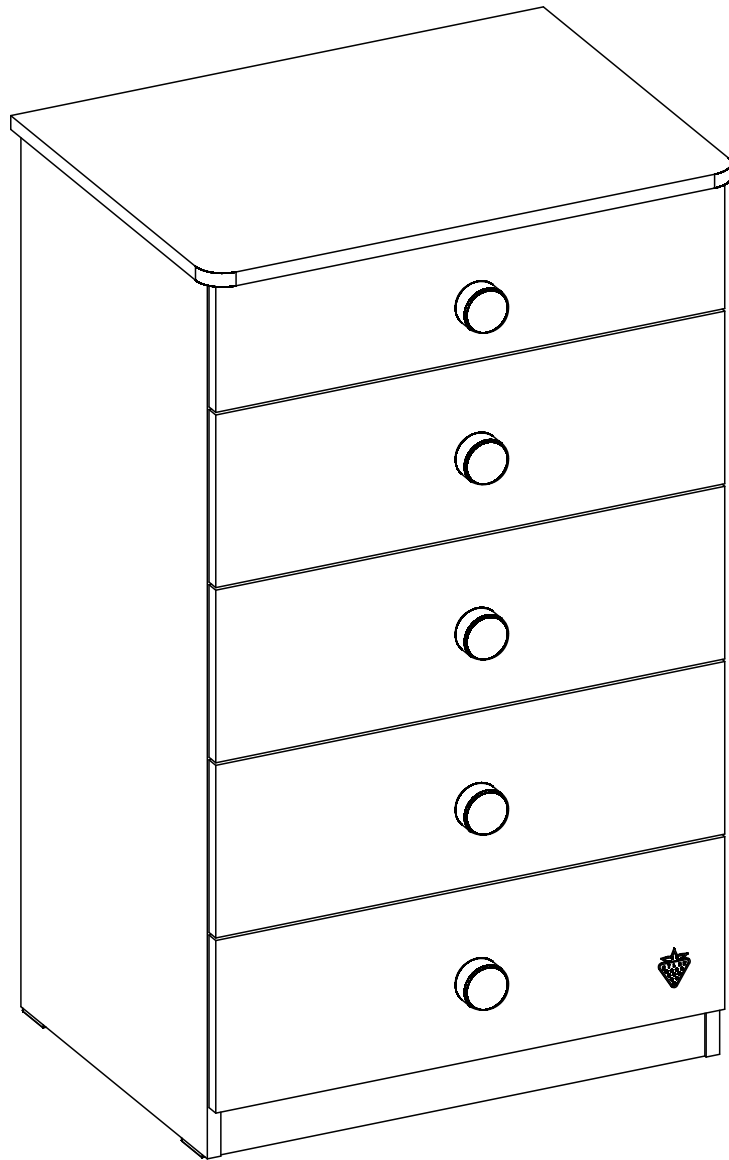
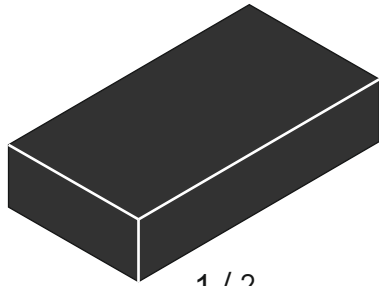
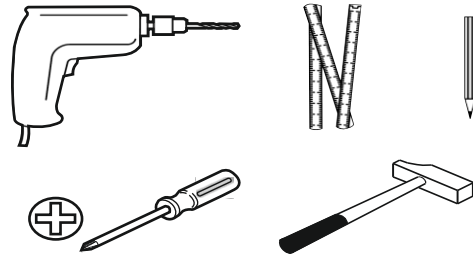
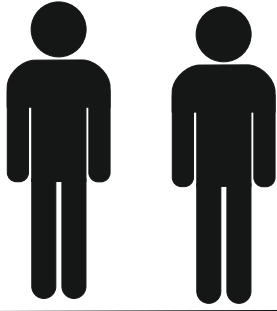
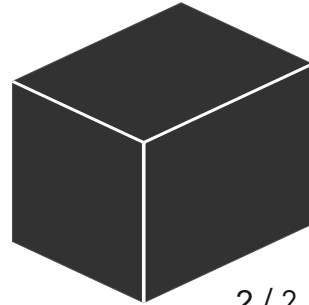


**20.30.1204.00**

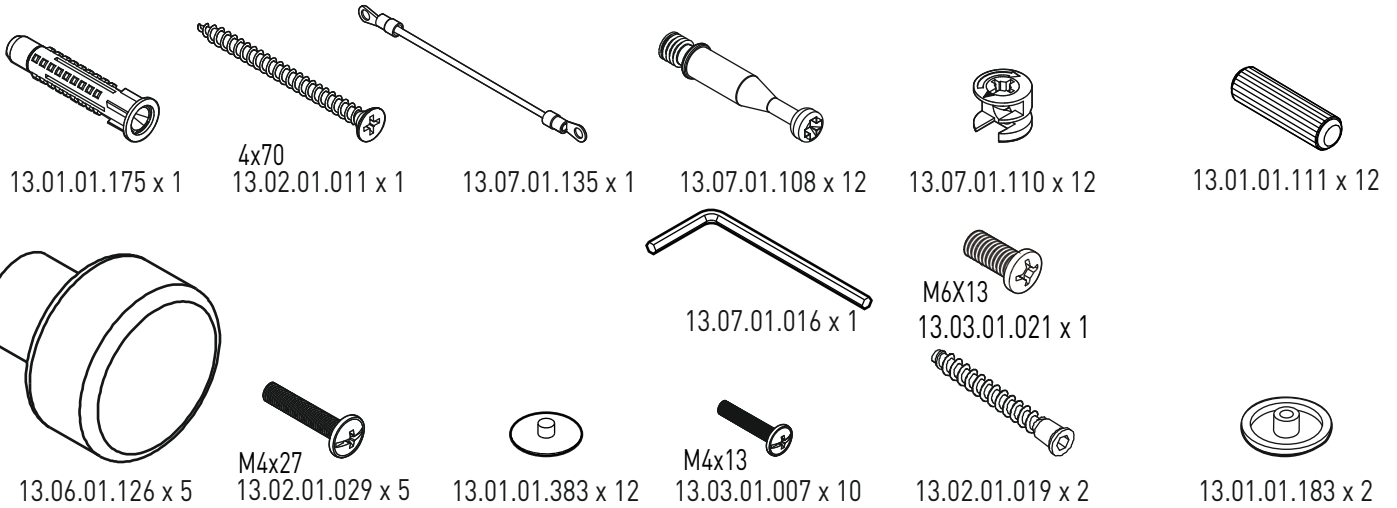




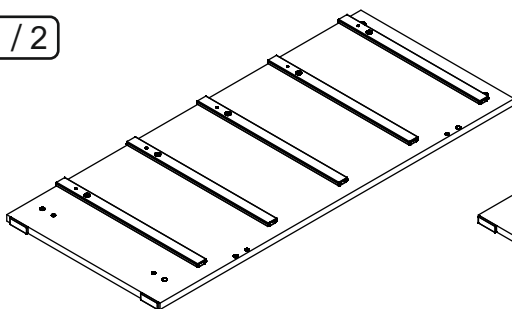
1 / 2



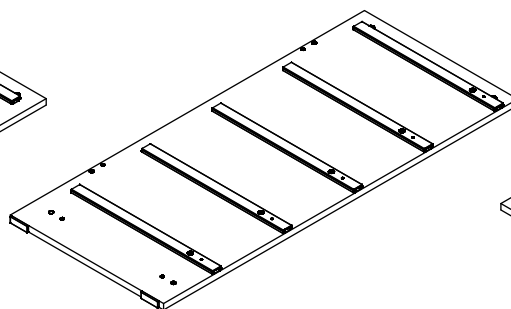
2 / 2



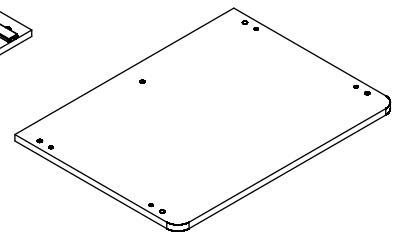
1 / 2



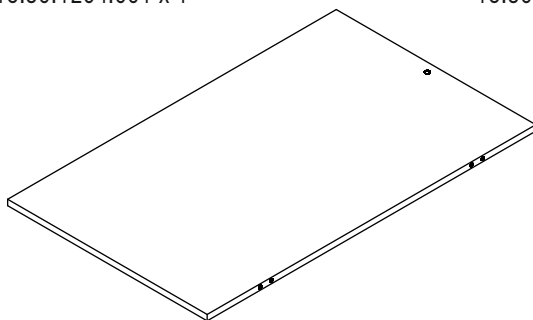
18.30.1204.001 x 1



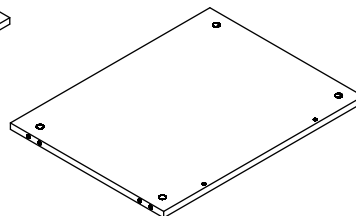
18.30.1204.002 x 1



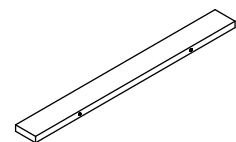
18.30.1204.004 x 1



18.30.1204.011 x 1

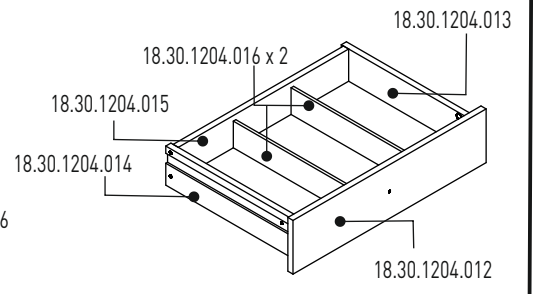
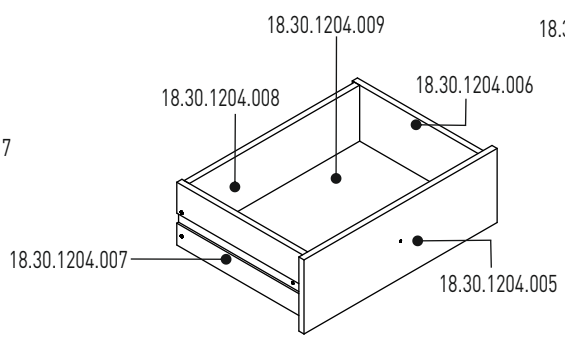
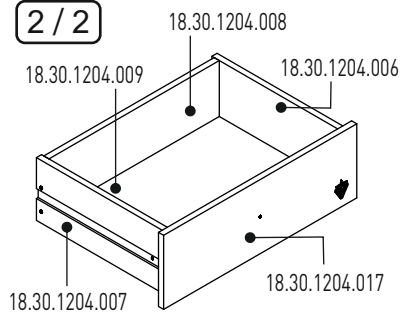


18.30.1204.003 x 1

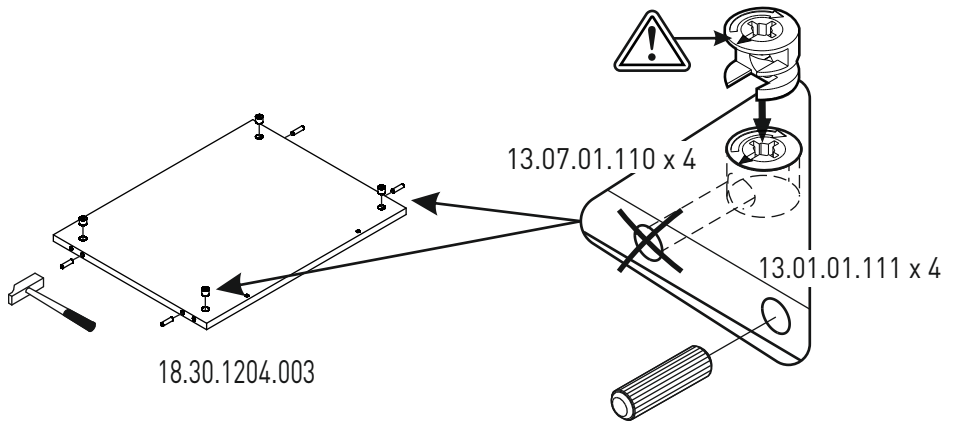


18.30.1204.010 x 1

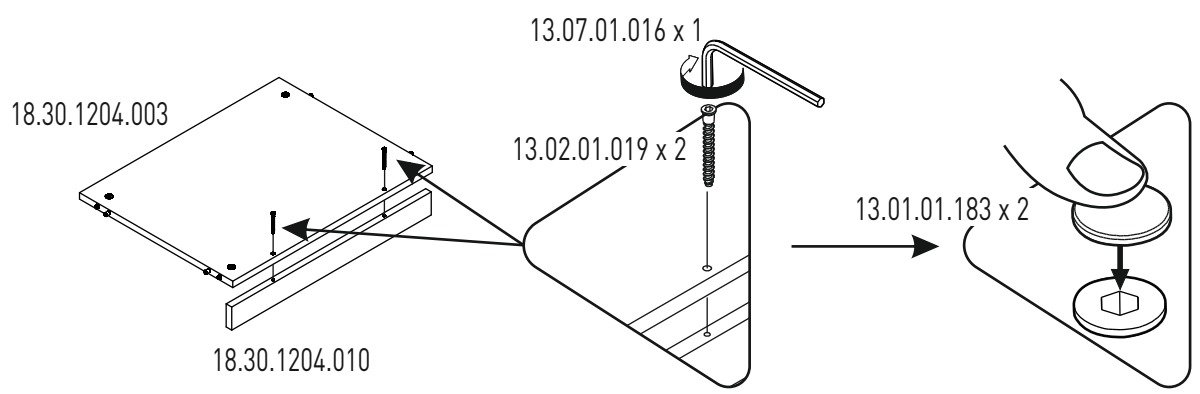
2 / 2



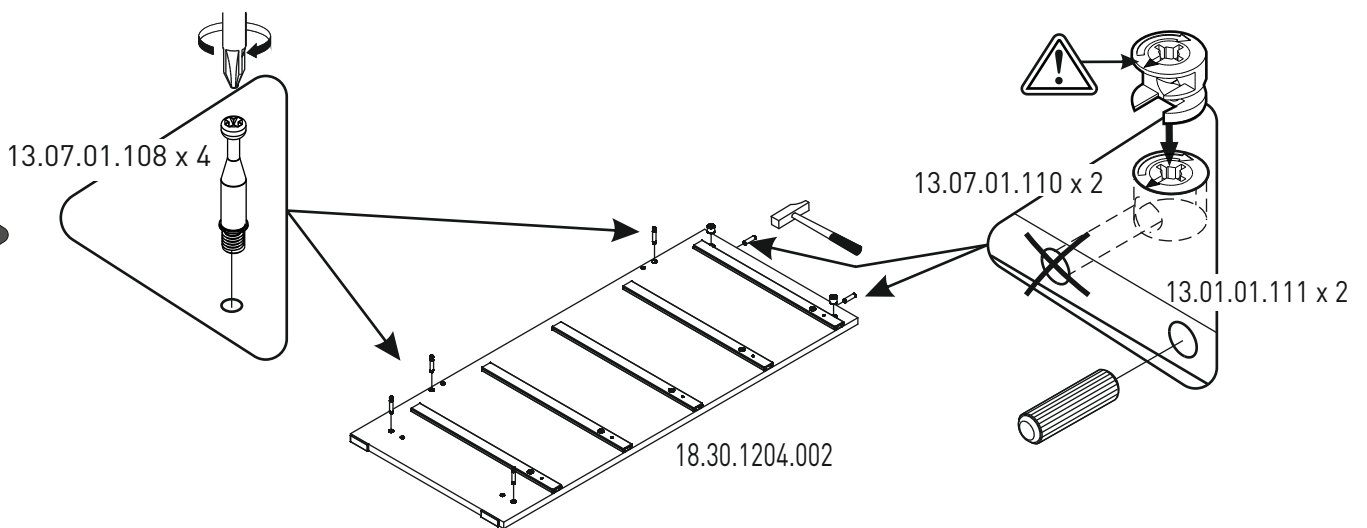
1



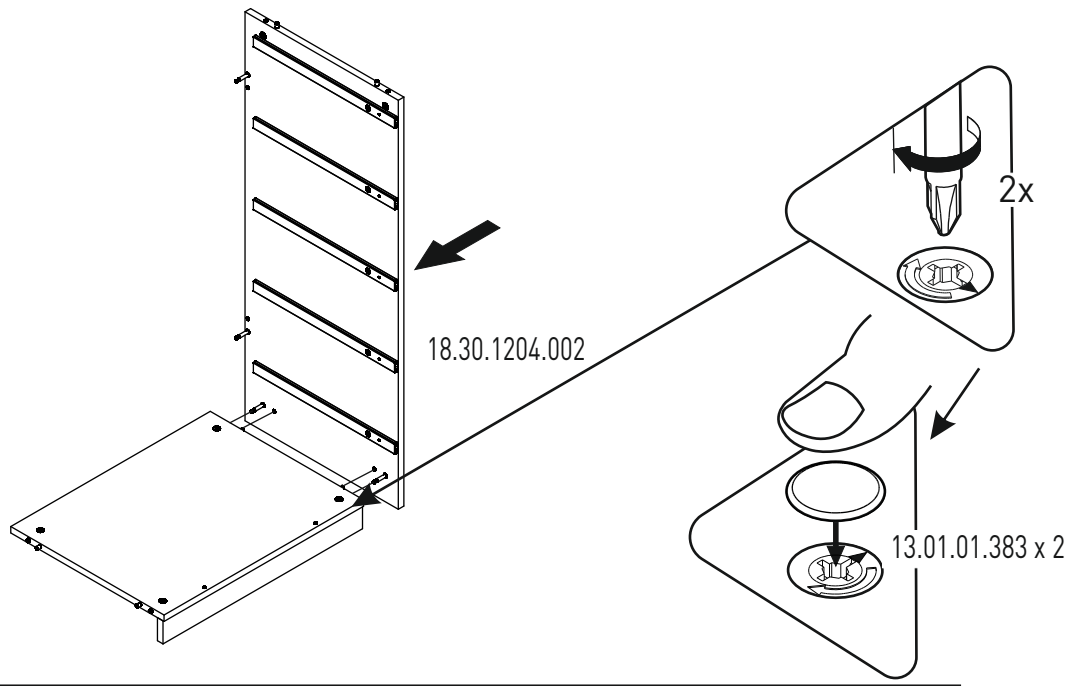
2



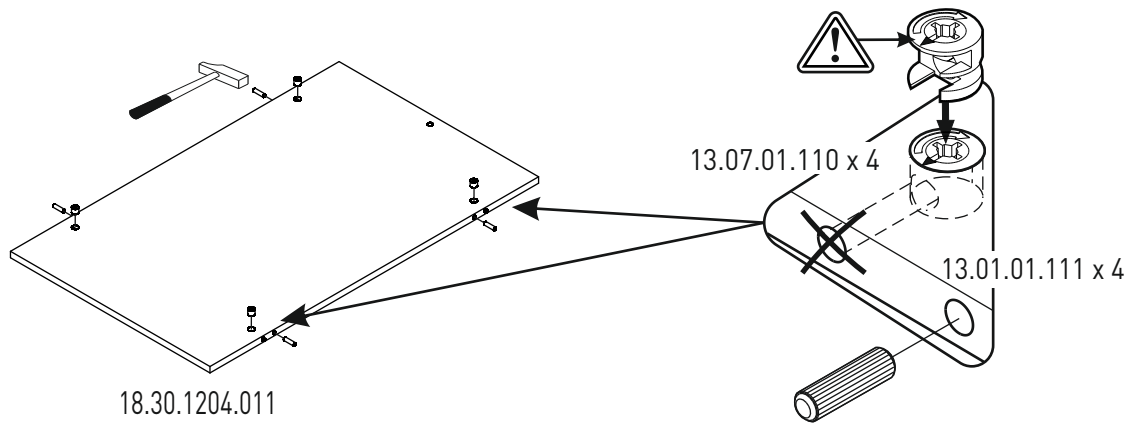
3



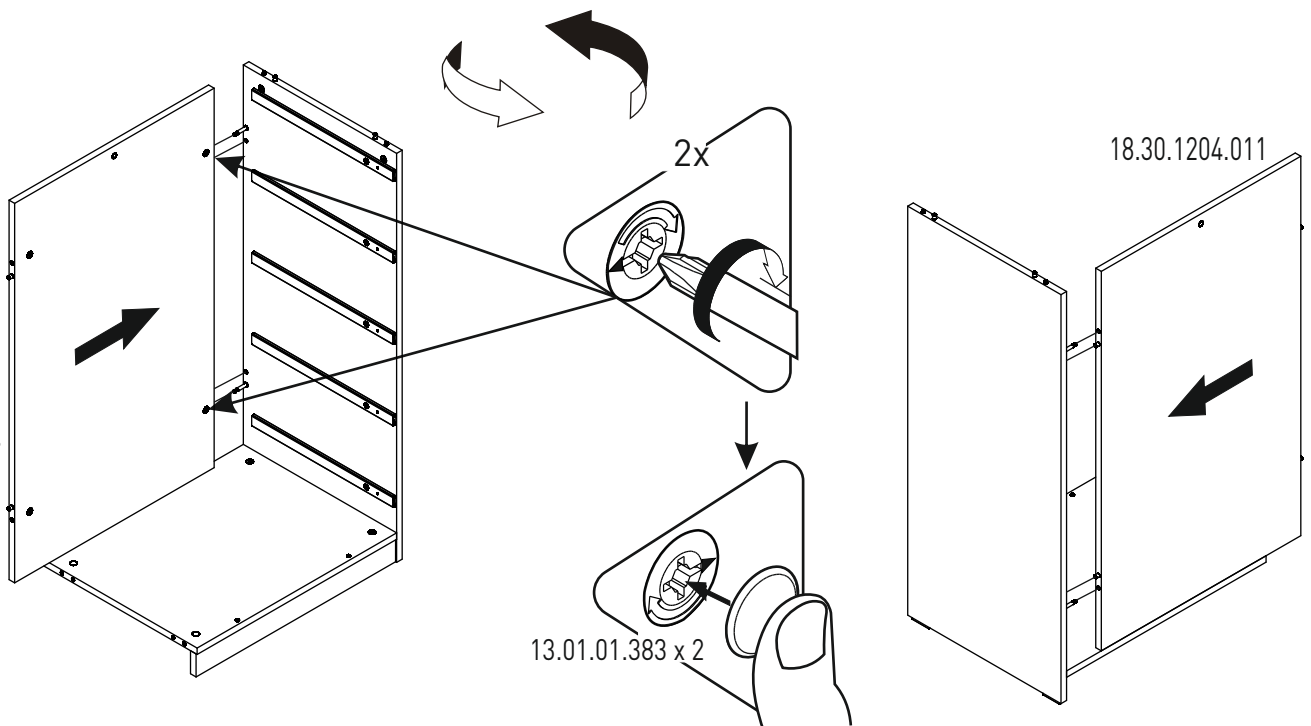
4



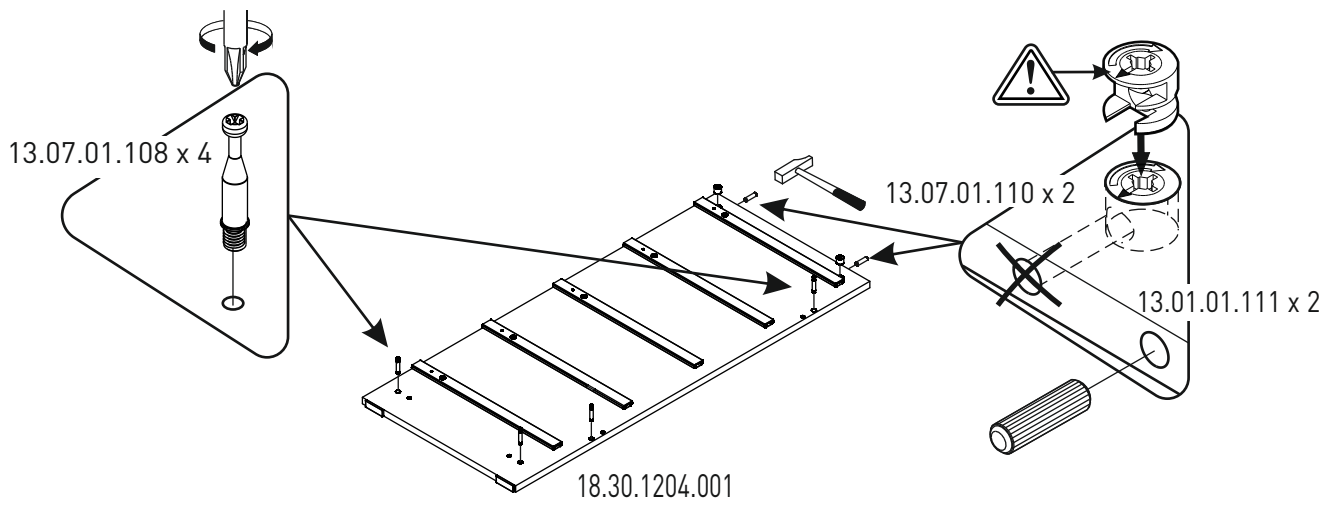
5



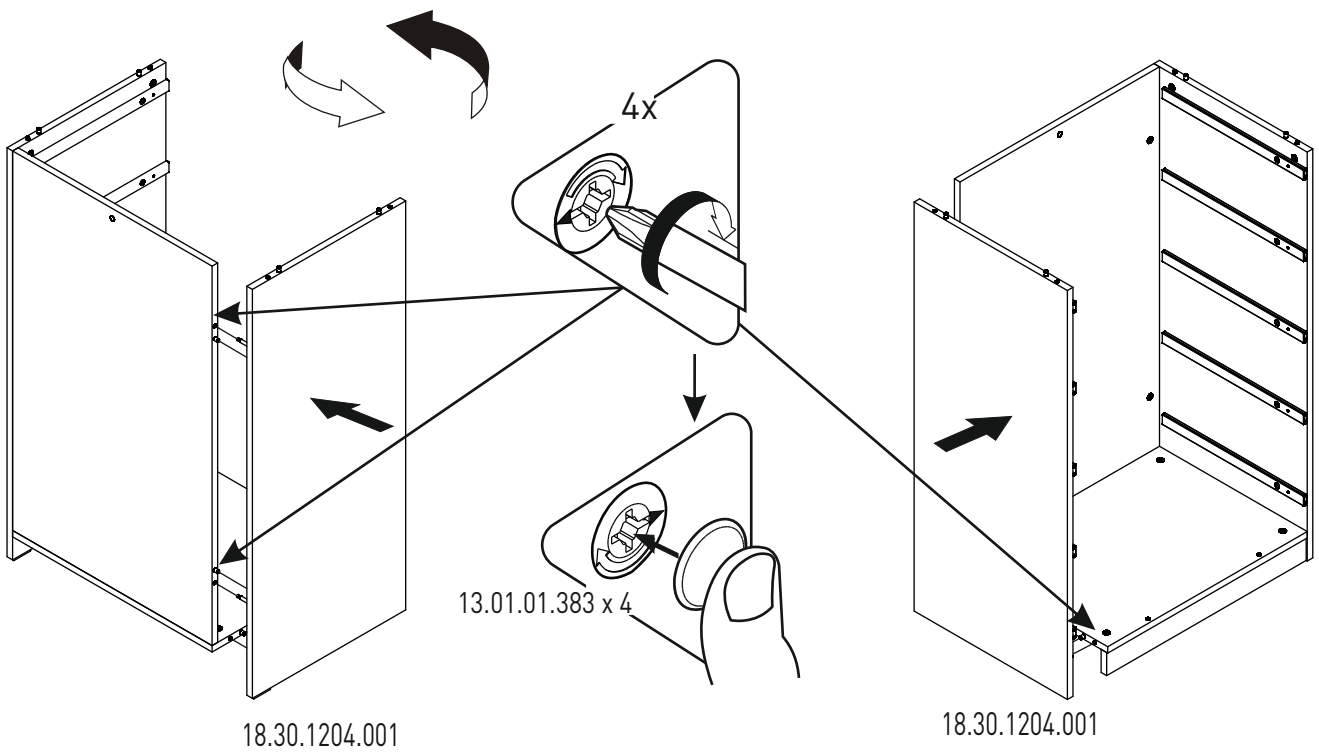
6



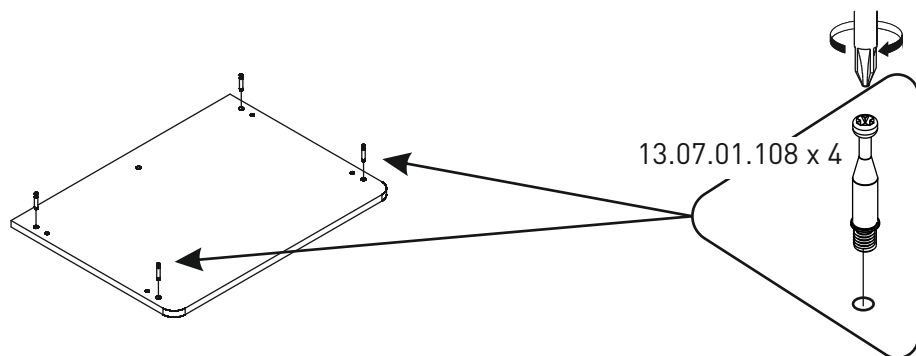
7



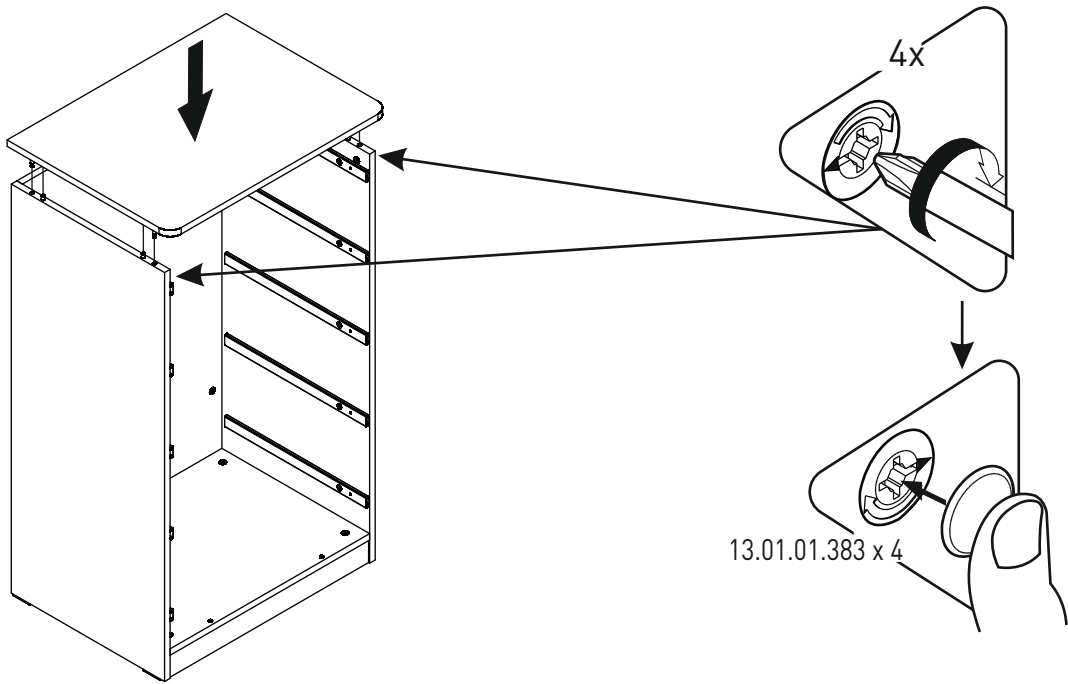
8



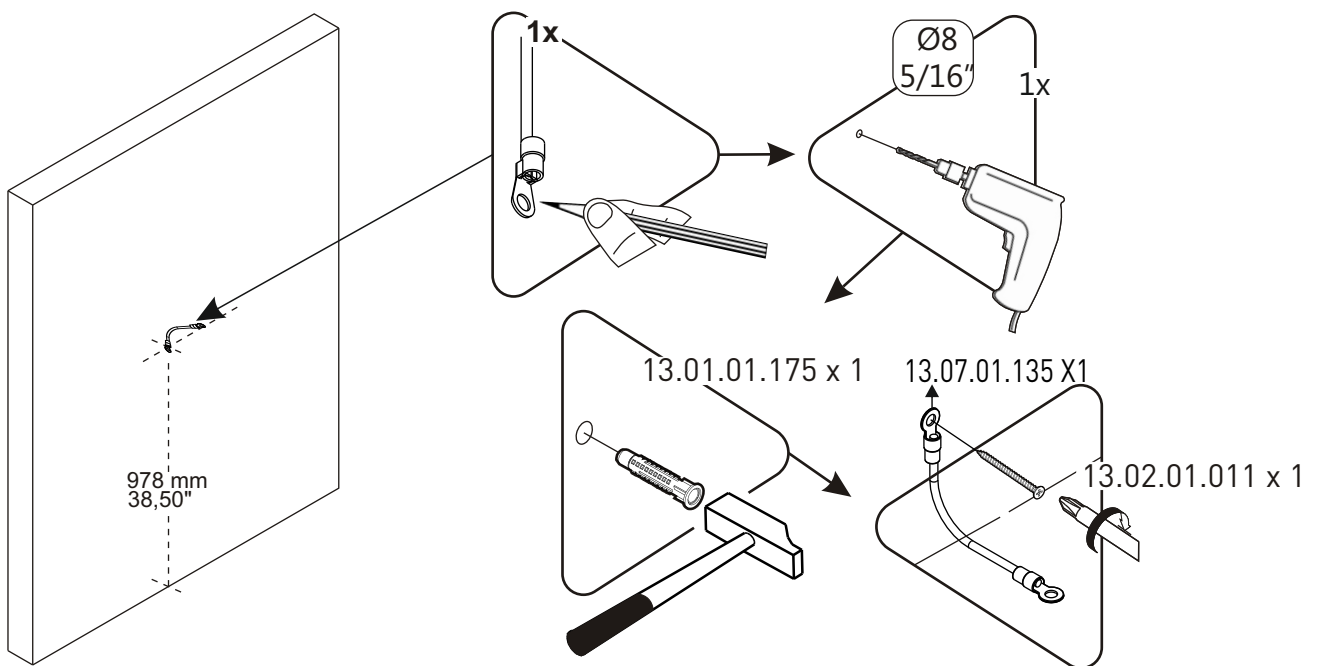
9



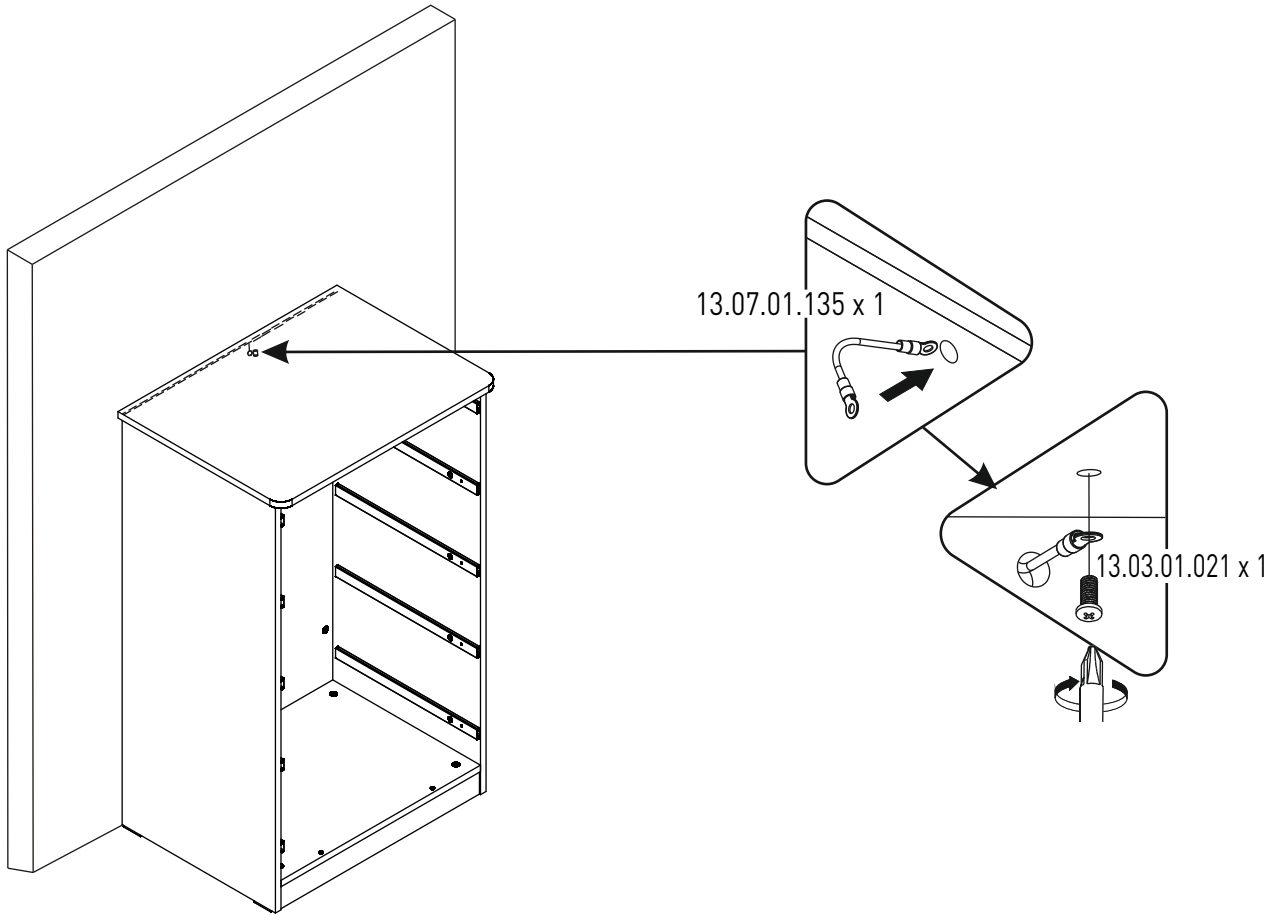
10



11



12



!

