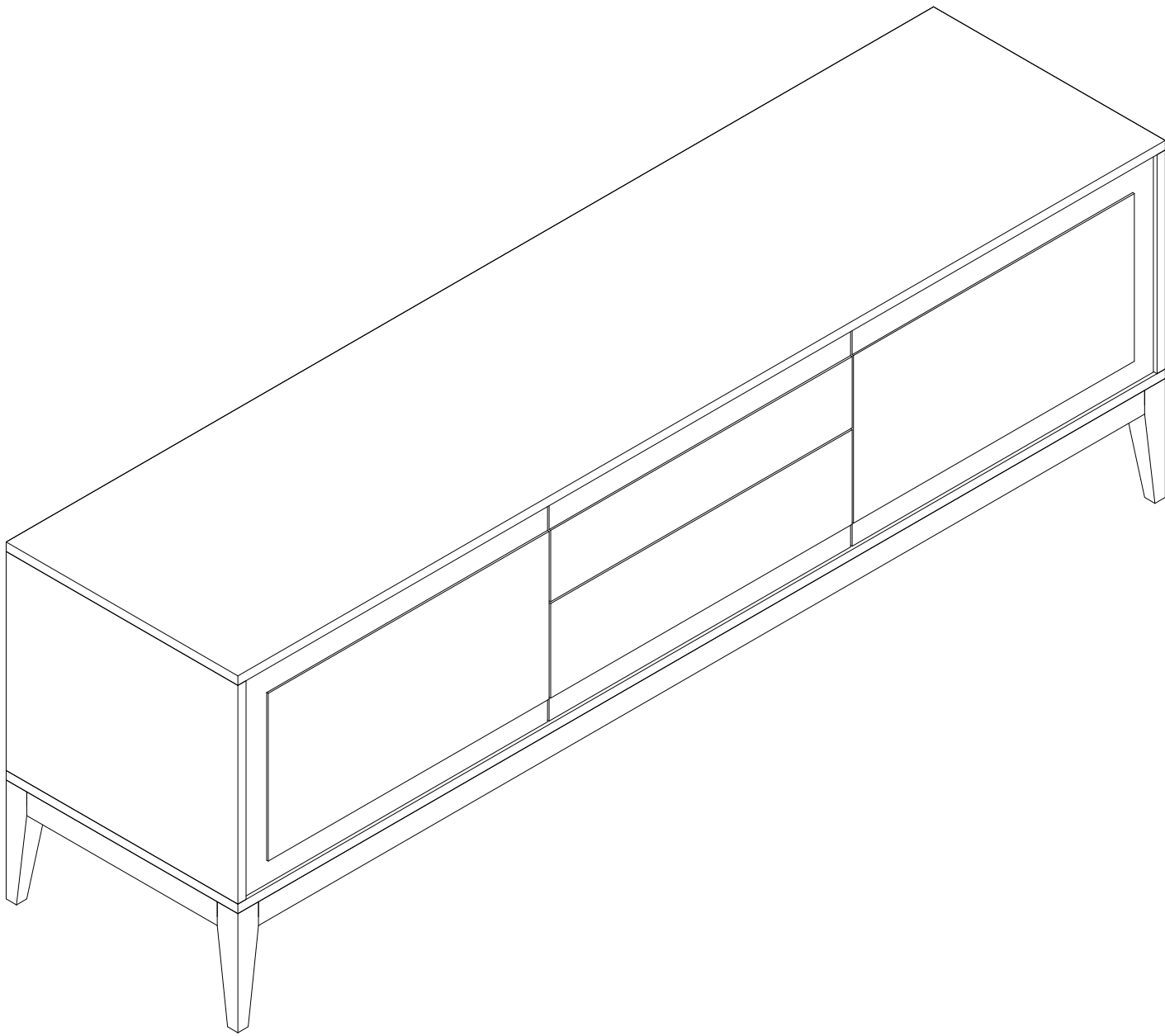


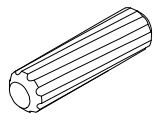
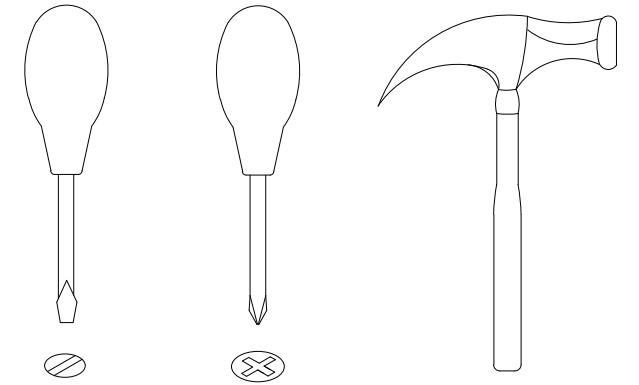
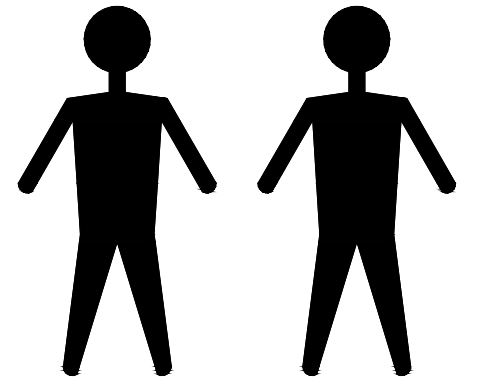
MOD
interiors

MDI. TV. MRB. 15

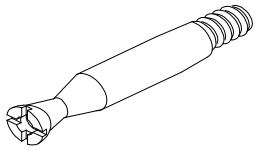


EAC

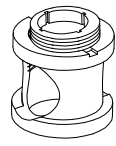
MDI. TV. MRB. 15



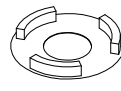
A x4
Spec: $\varnothing 8 \times 30$



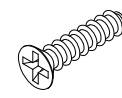
B x8
Spec: $\varnothing 7 \times L48$



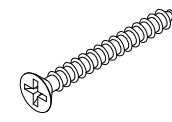
C x8
Spec: $\varnothing 15 \times H15$



D x12
Spec:



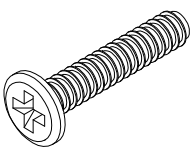
E x8
Spec: $\varnothing 3.5 \times L20$



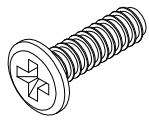
F x16
Spec: $\varnothing 3.8 \times L38$



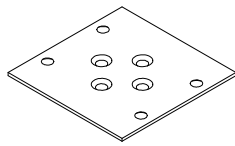
G x14
Spec: $\varnothing 8 \times \varnothing 14$



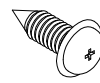
H x4
Spec: M6*45



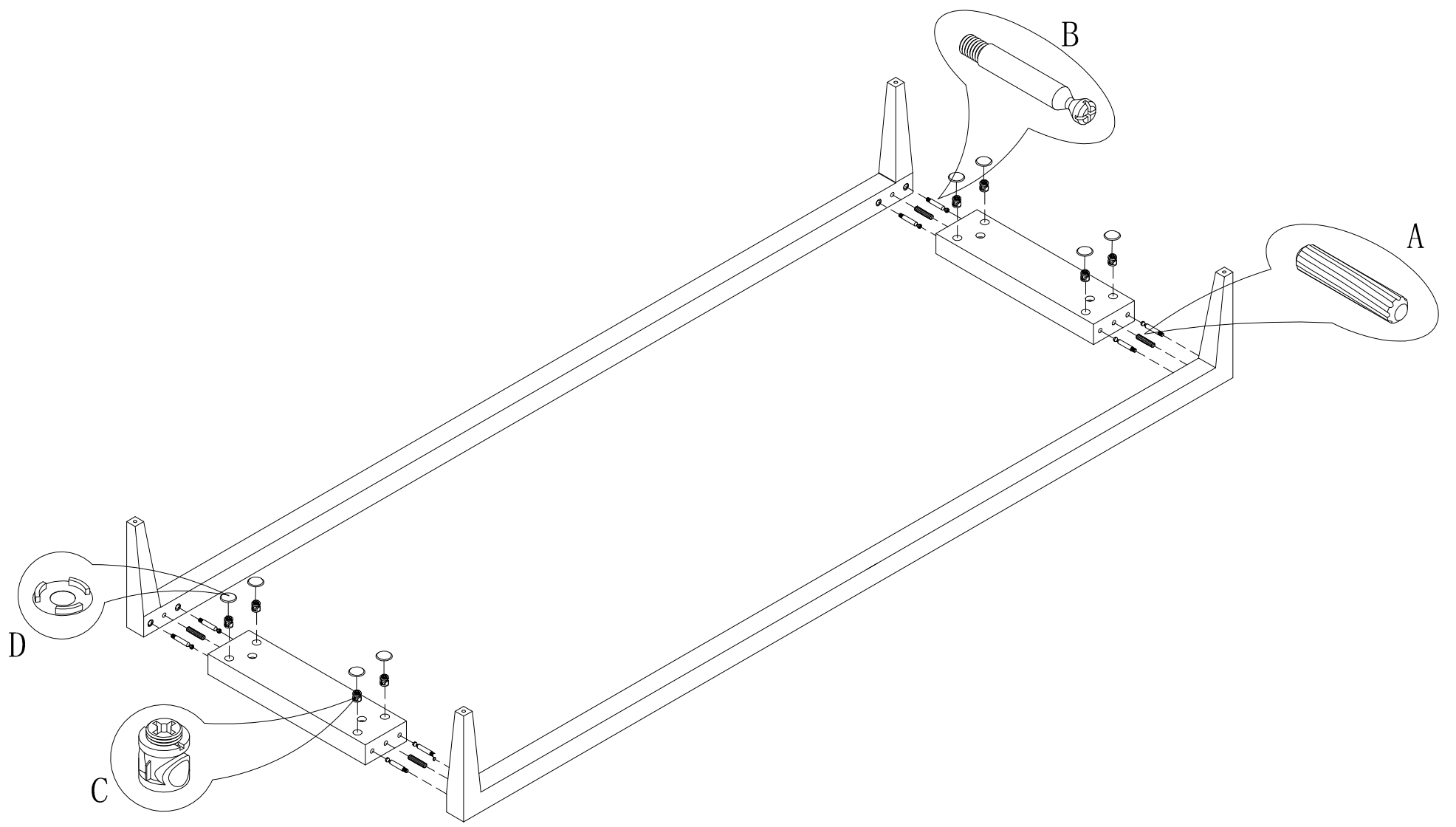
I x10
Spec: M6*35



J x2
Spec: $78 \times 78 \times 1.8$

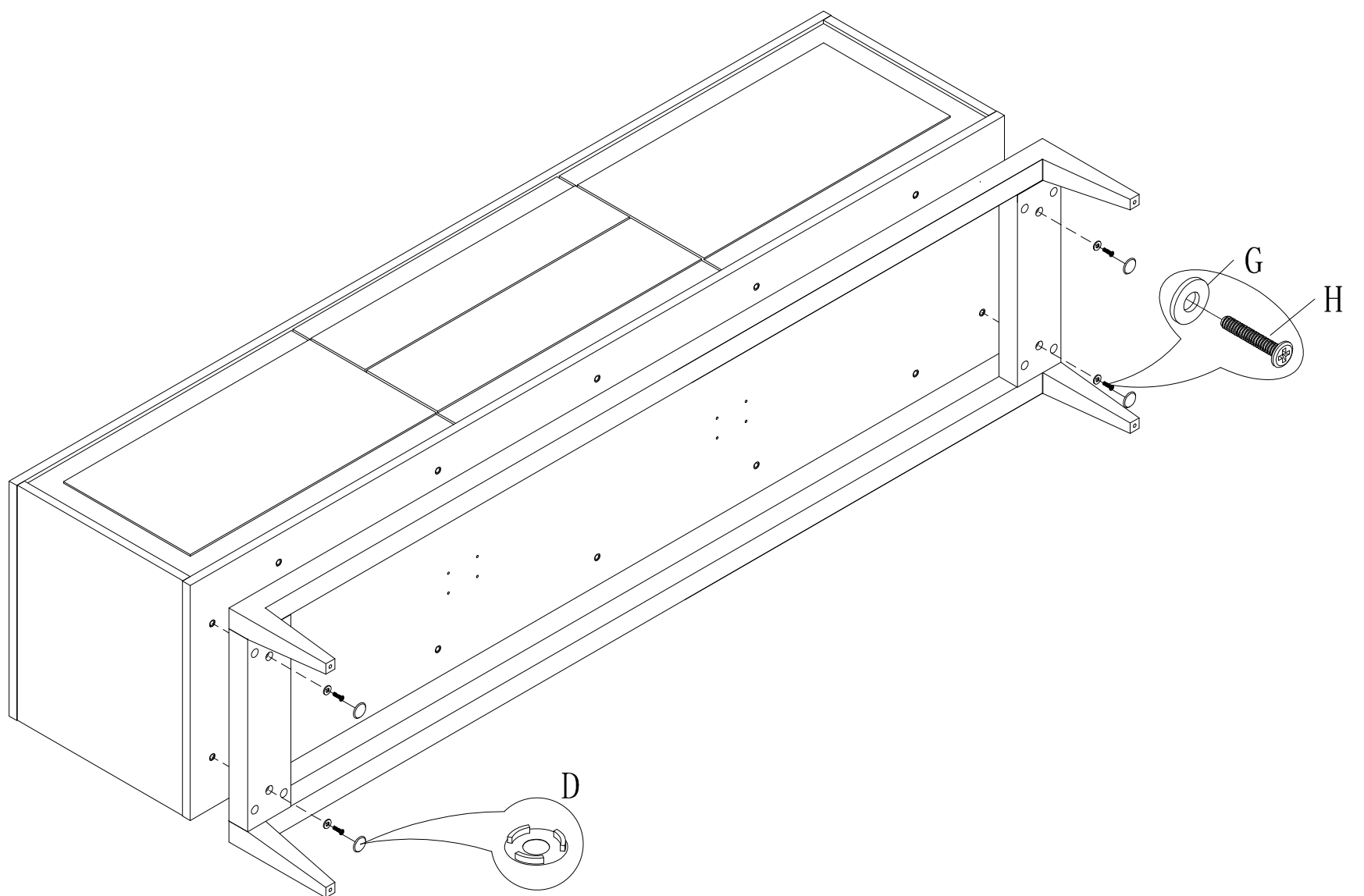


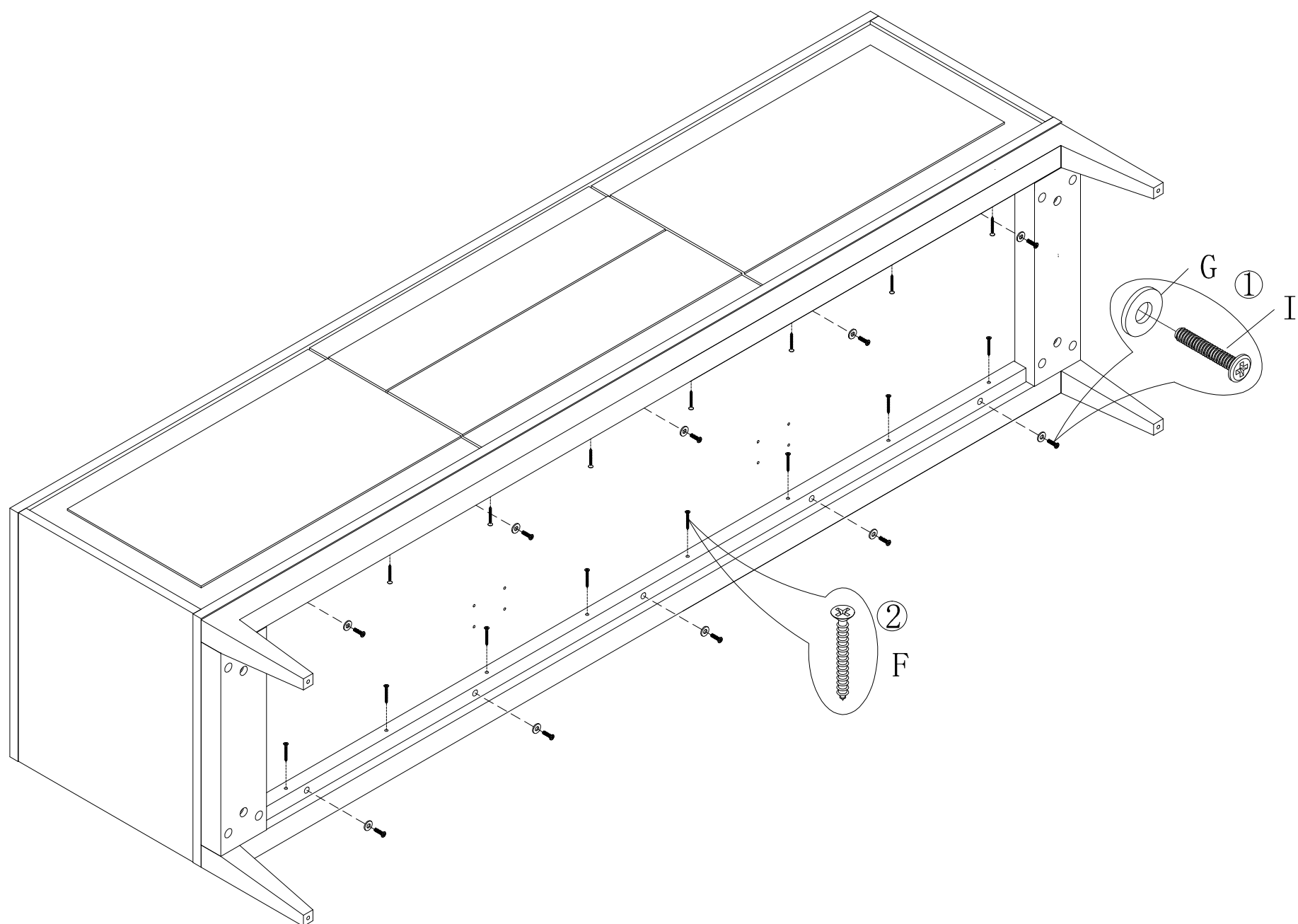
K x8
Spec: $\varnothing 4 \times L16$



1

2





3

4

