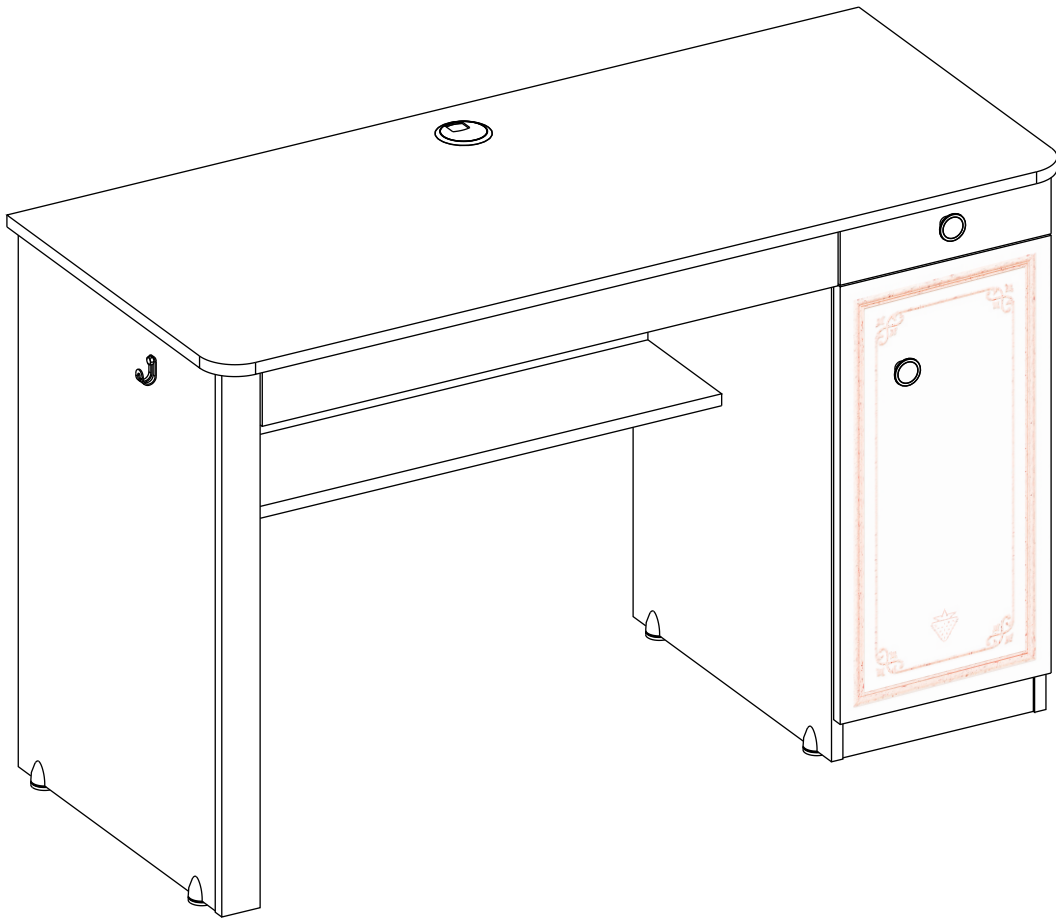
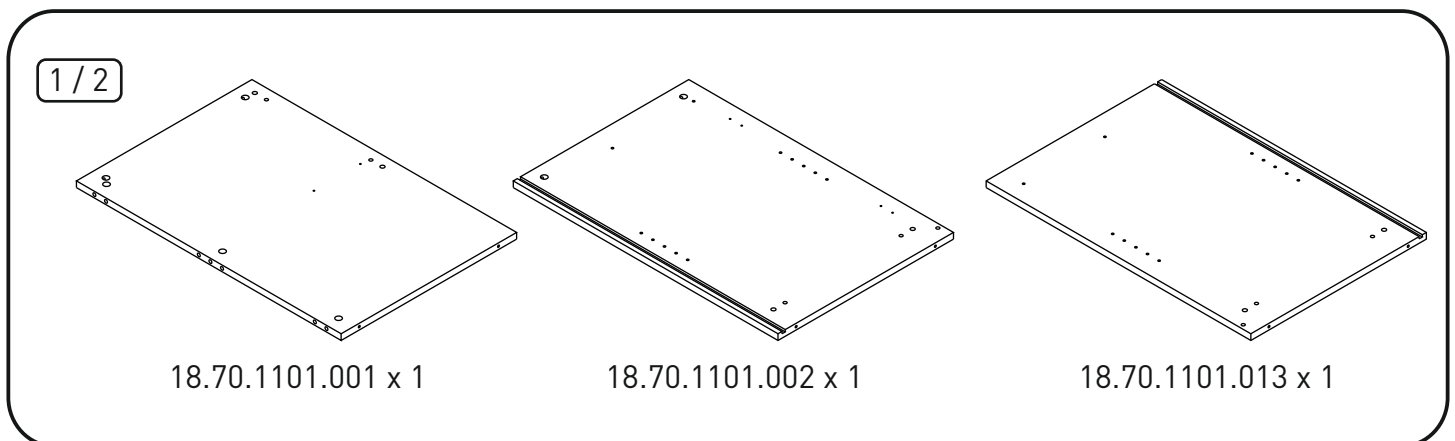
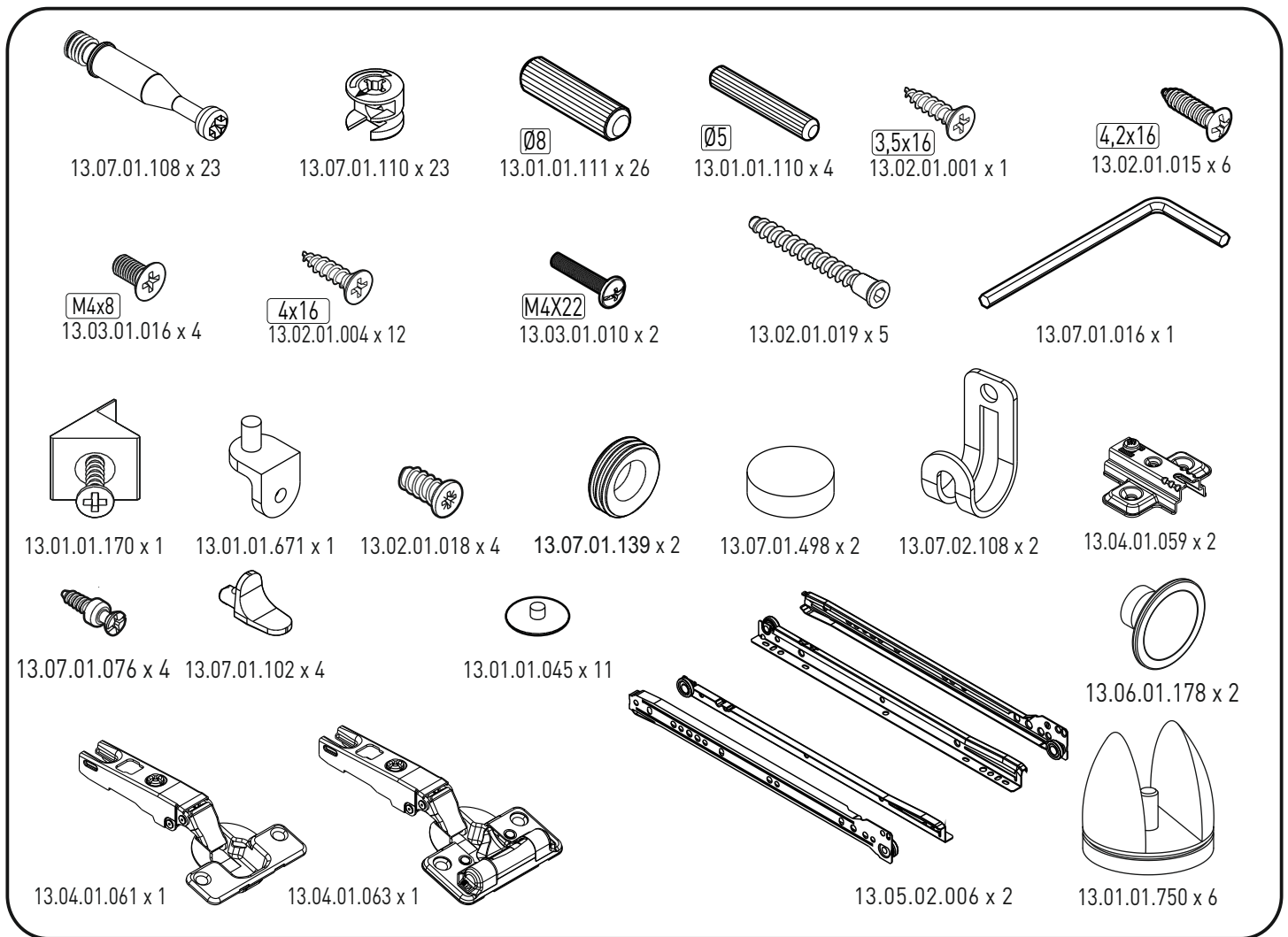
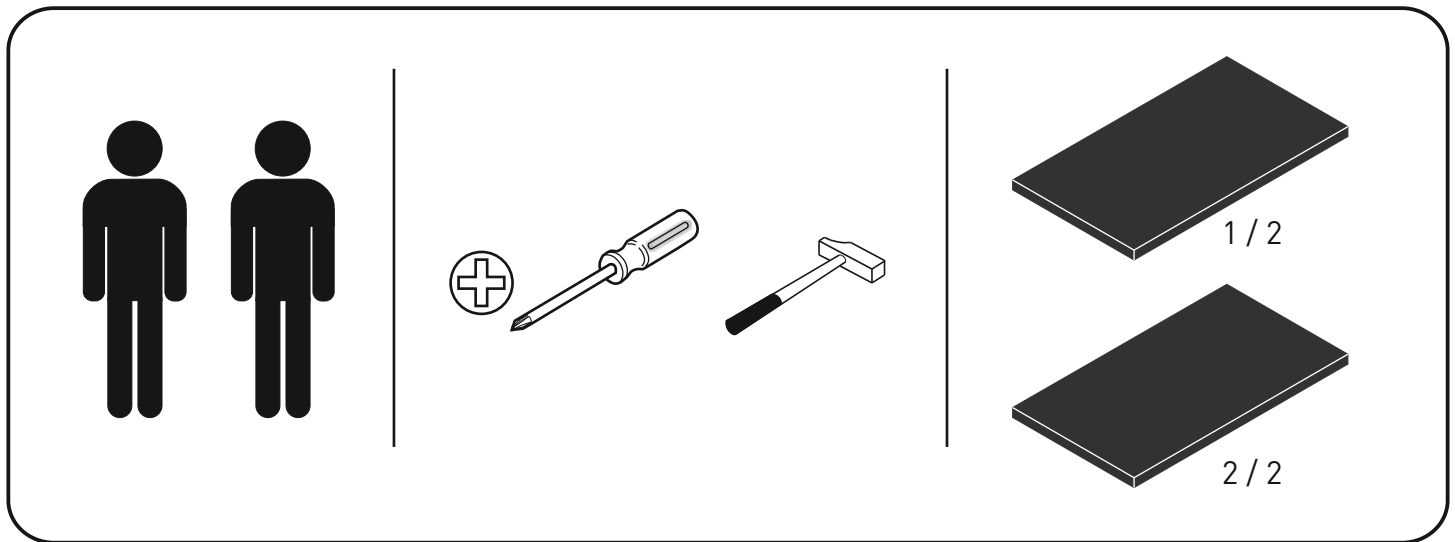
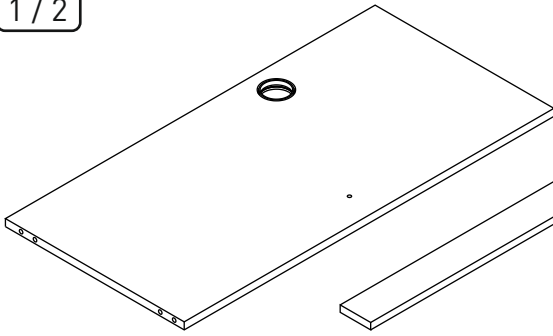


20.70.1101.00

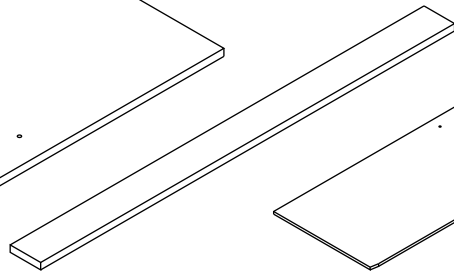




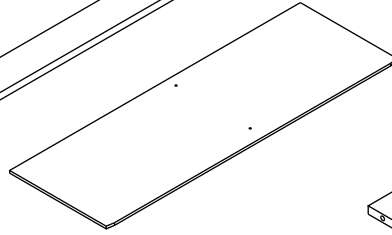
1/2



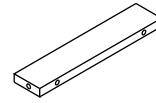
18.70.1101.003 x 1



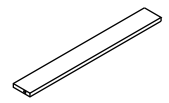
18.70.1101.005 x 1



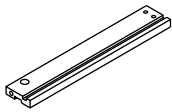
18.70.1101.012 x 1



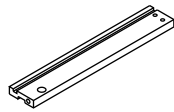
18.70.1101.017 x 1



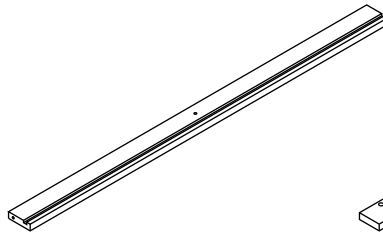
18.70.1101.019 x 1



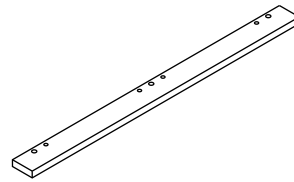
18.70.1101.007 x 1



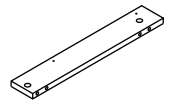
18.70.1101.008 x 1



18.70.1101.009 x 1

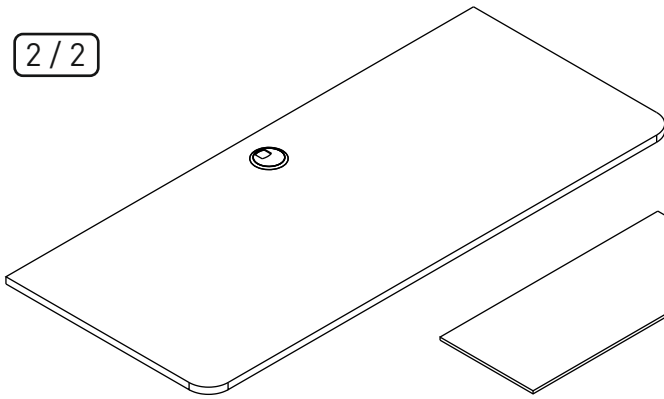


18.70.1101.020 x 1

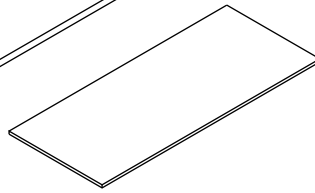


18.70.1101.021 x 1

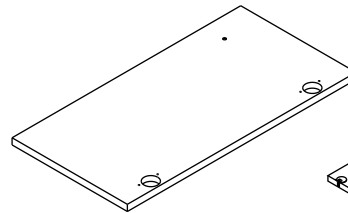
2/2



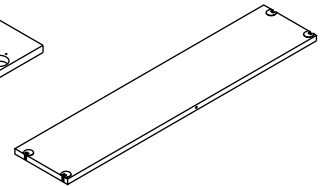
18.70.1101.004 x 1



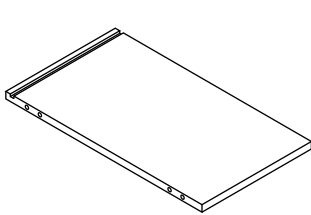
18.70.1101.015 x 1



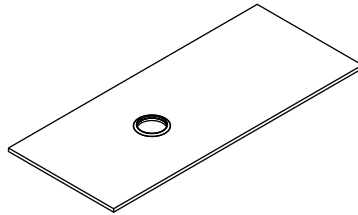
18.70.1101.014 x 1



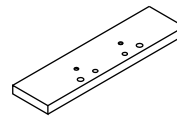
18.70.1101.022 x 1



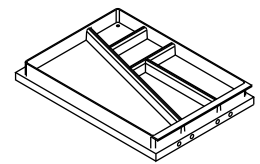
18.70.1101.016 x 1



18.70.1101.018 x 1

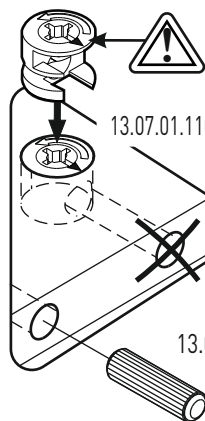


18.70.1101.006 x 1



18.70.1101.023 x 1

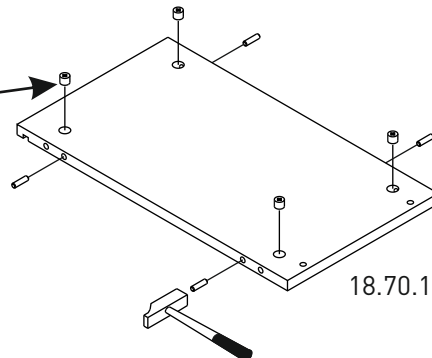
1



13.07.01.110 x 4

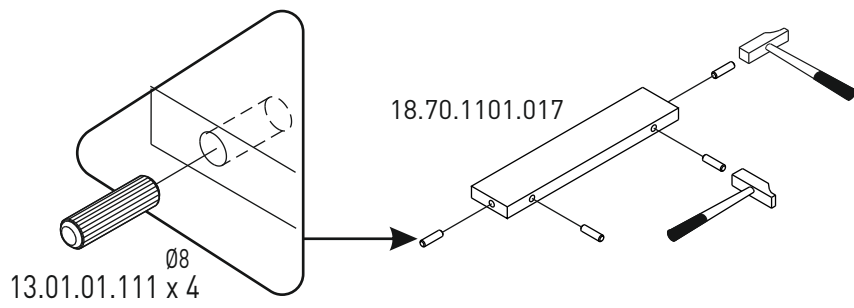
13.01.01.111 x 4

Ø8

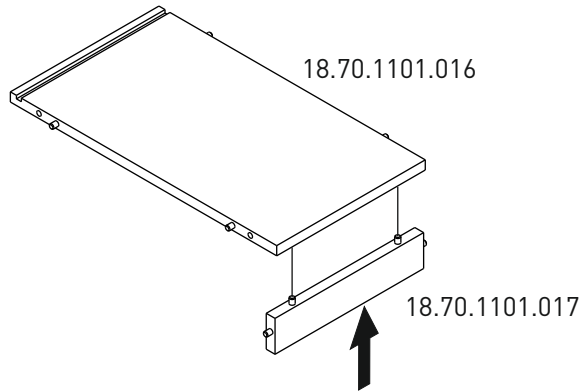


18.70.1101.016

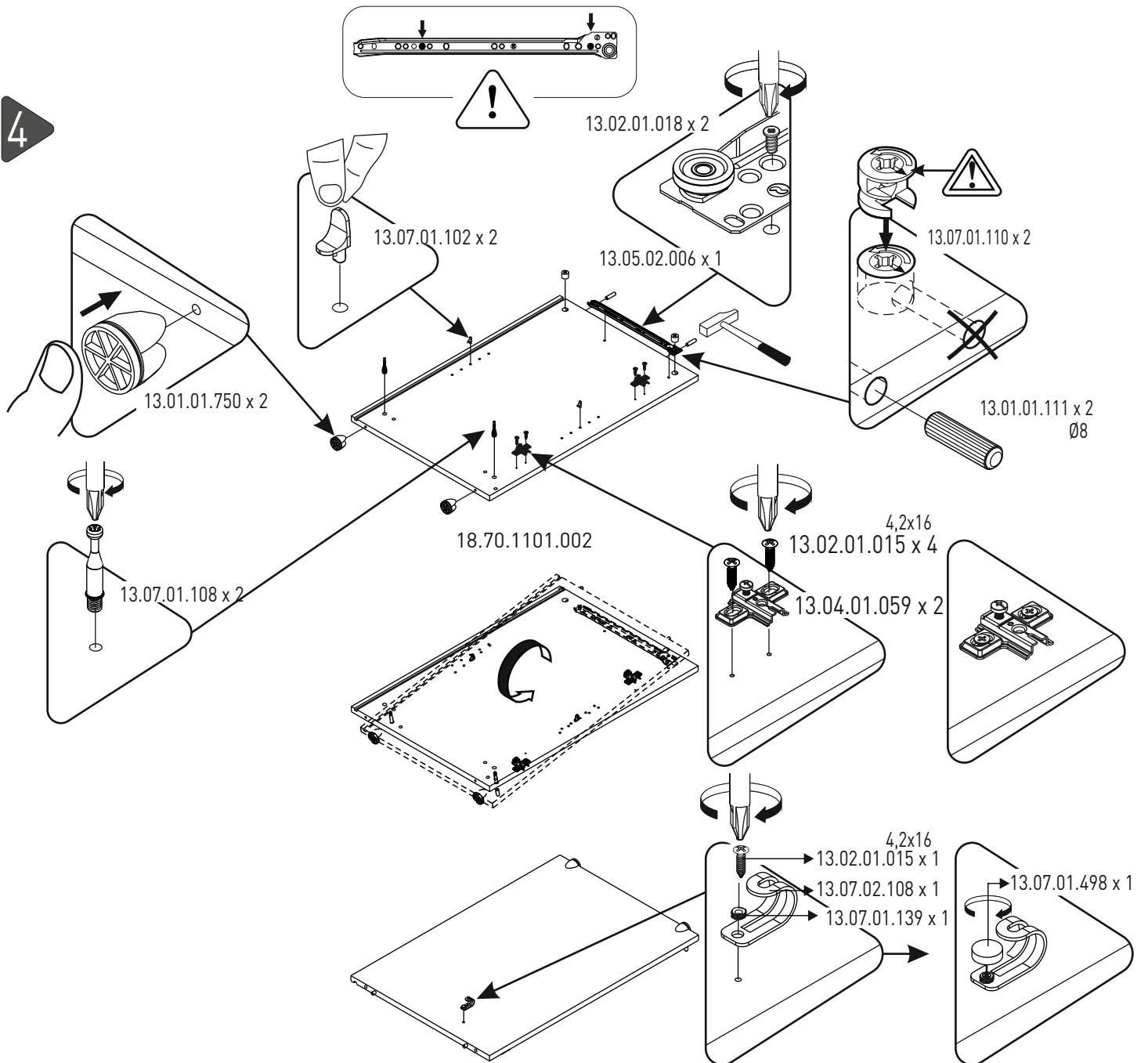
2



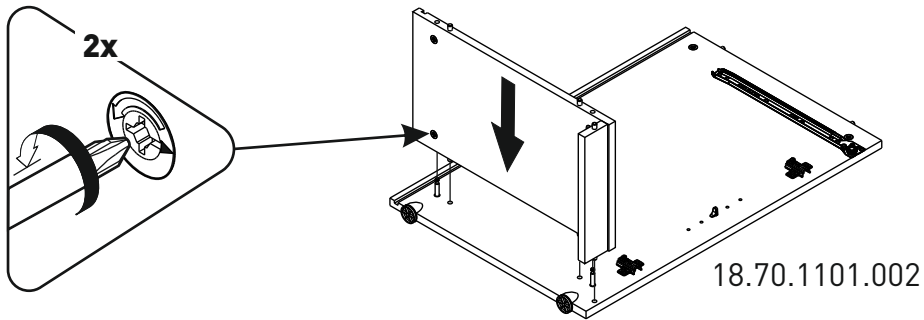
3



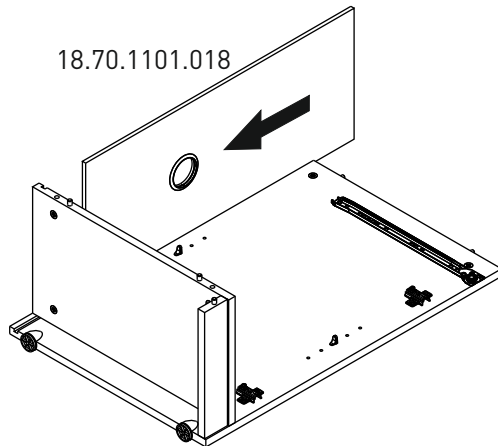
4



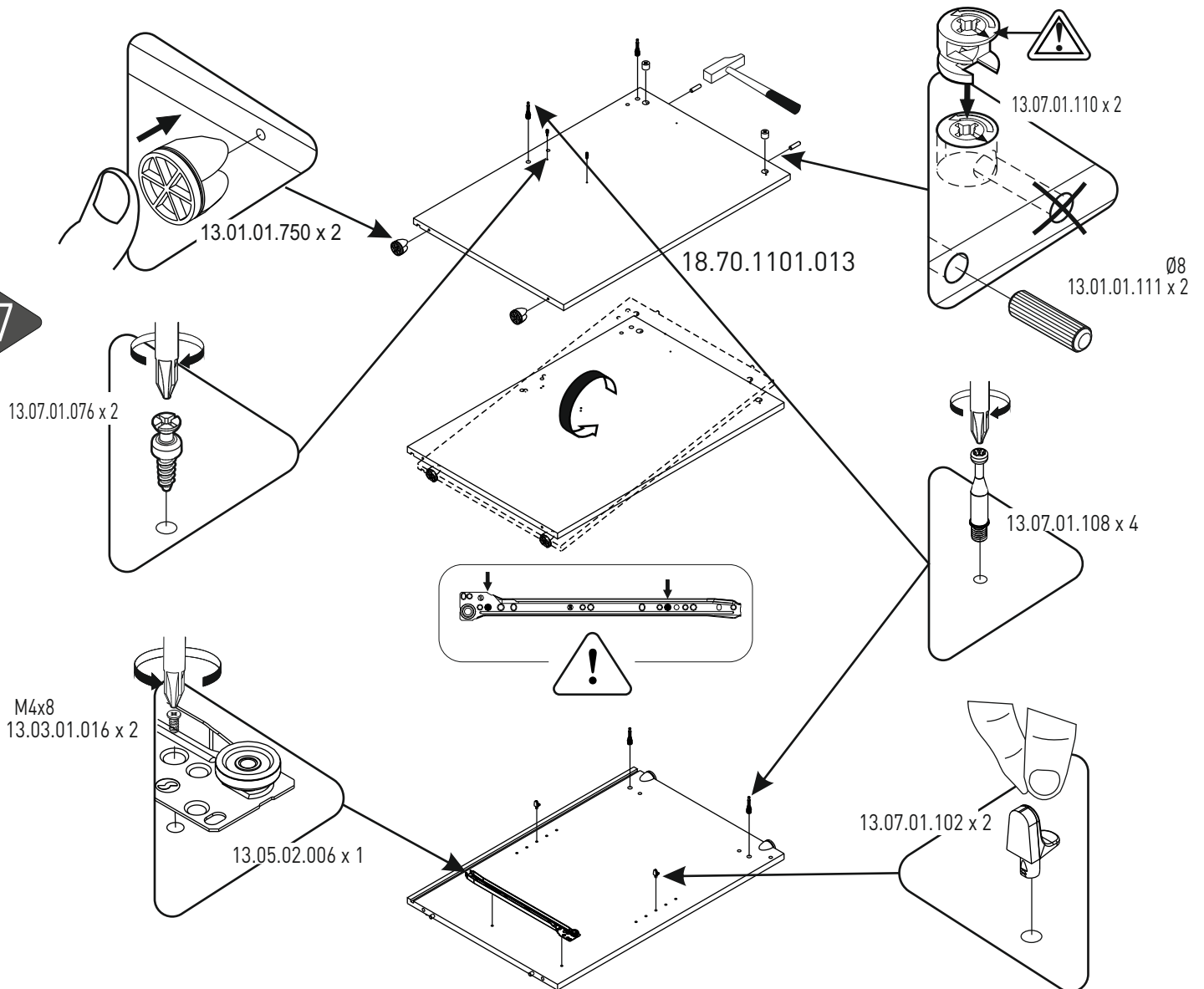
5



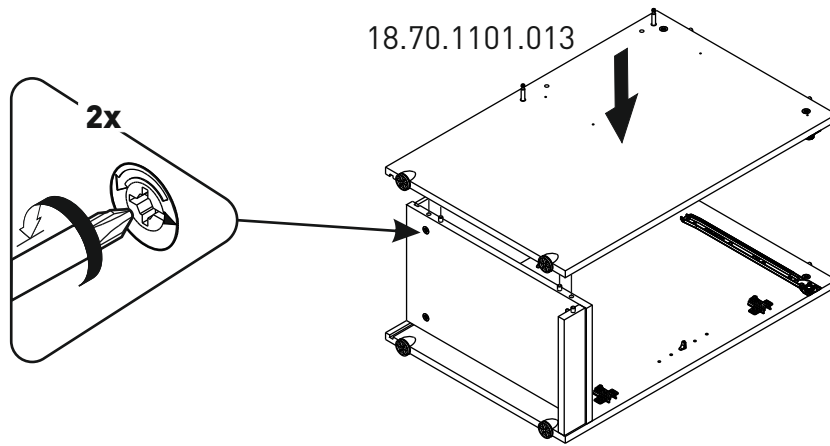
6



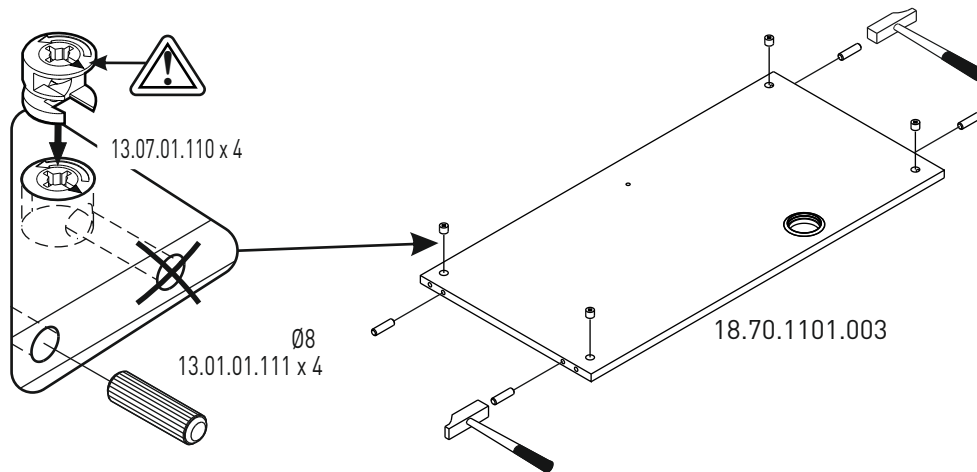
7



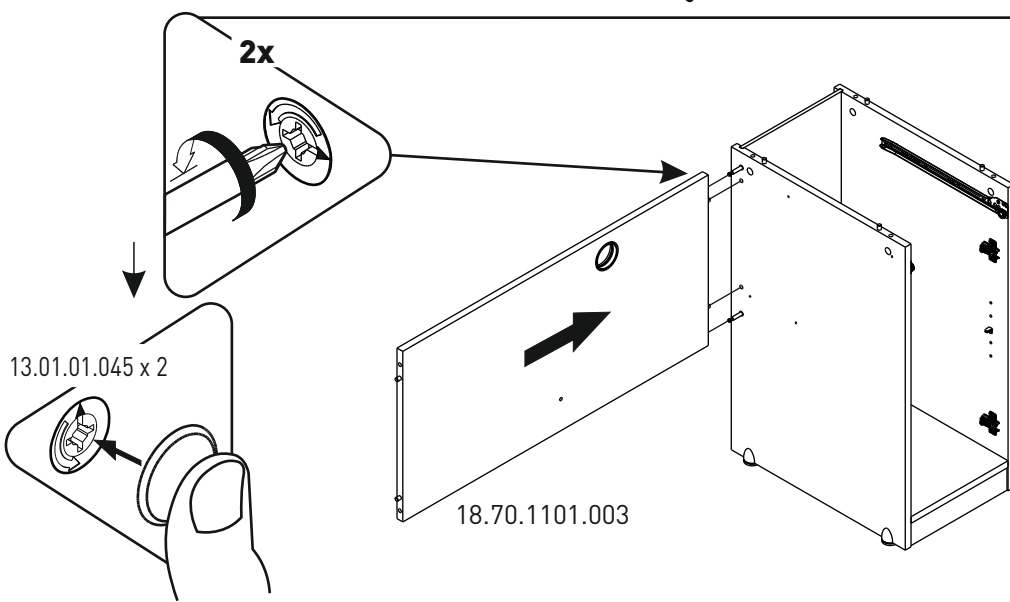
8



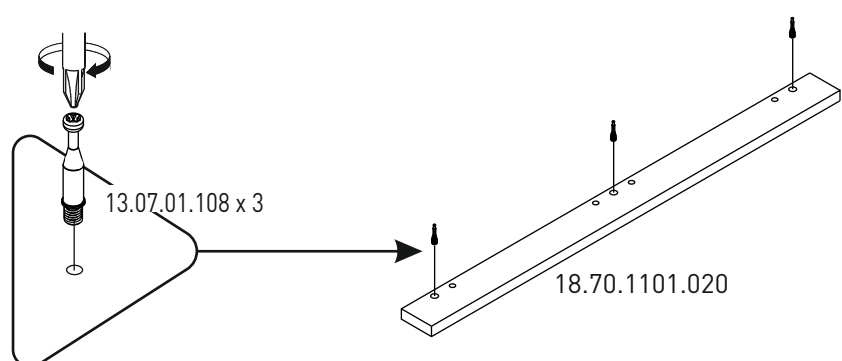
9

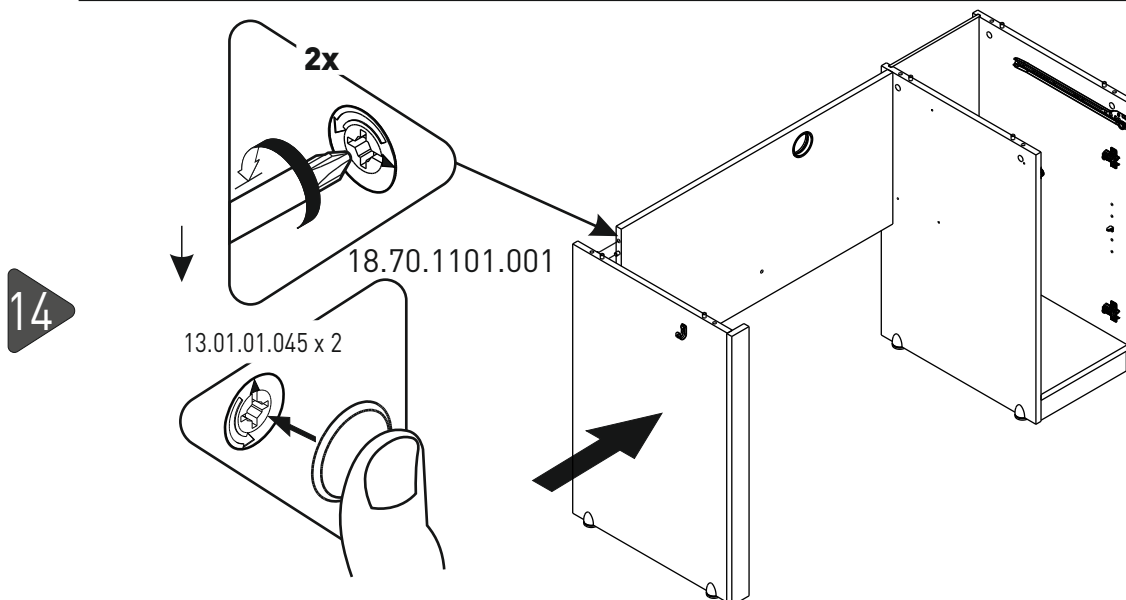
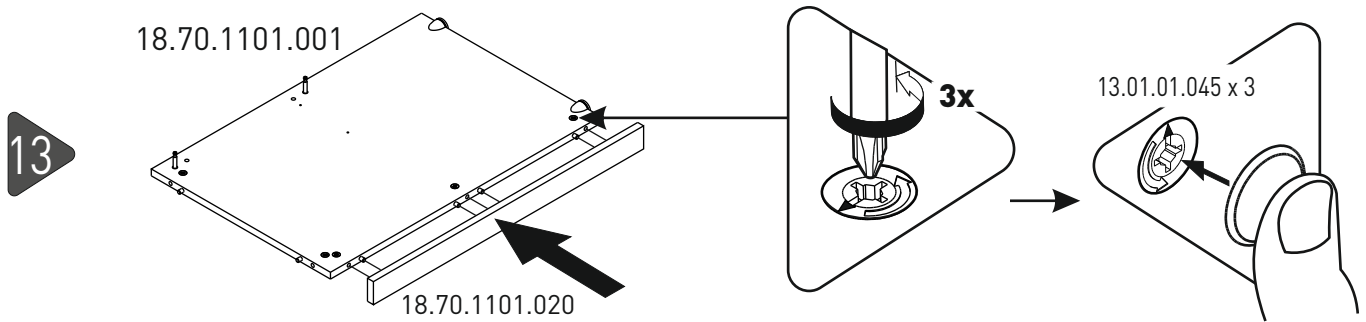
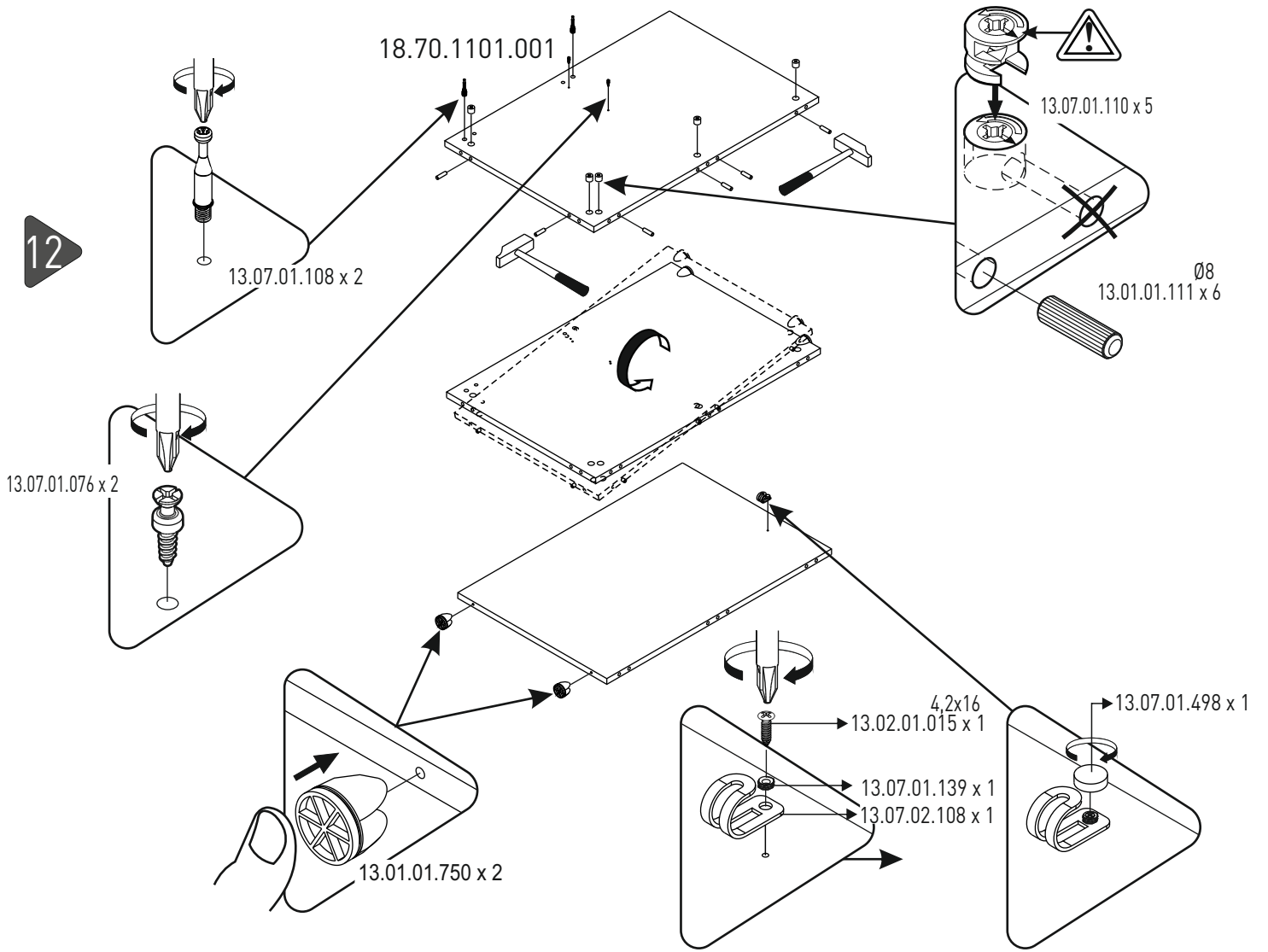


10

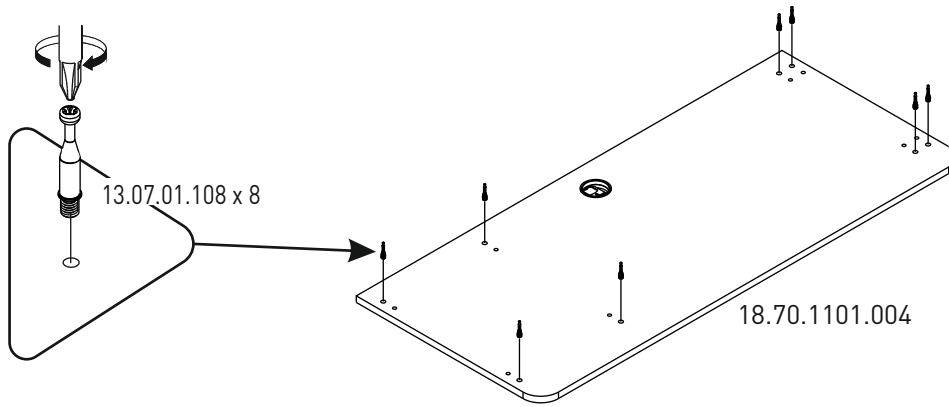


11

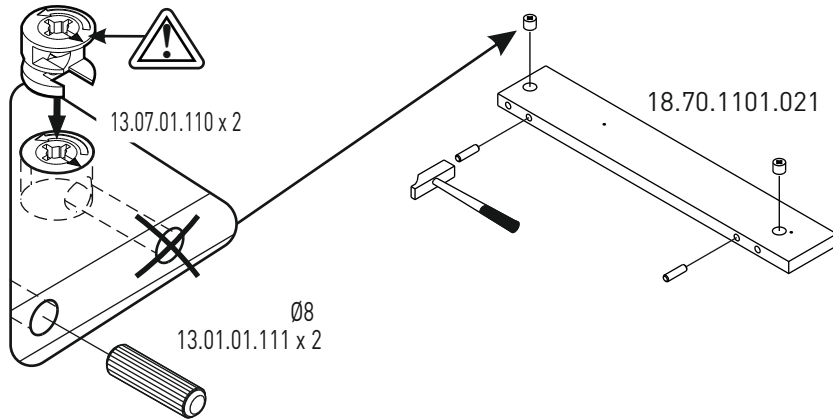




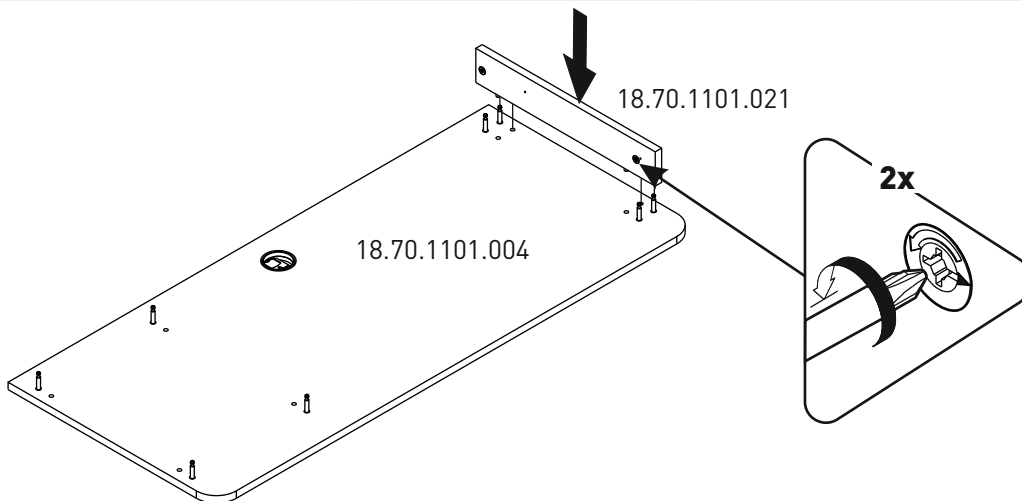
15



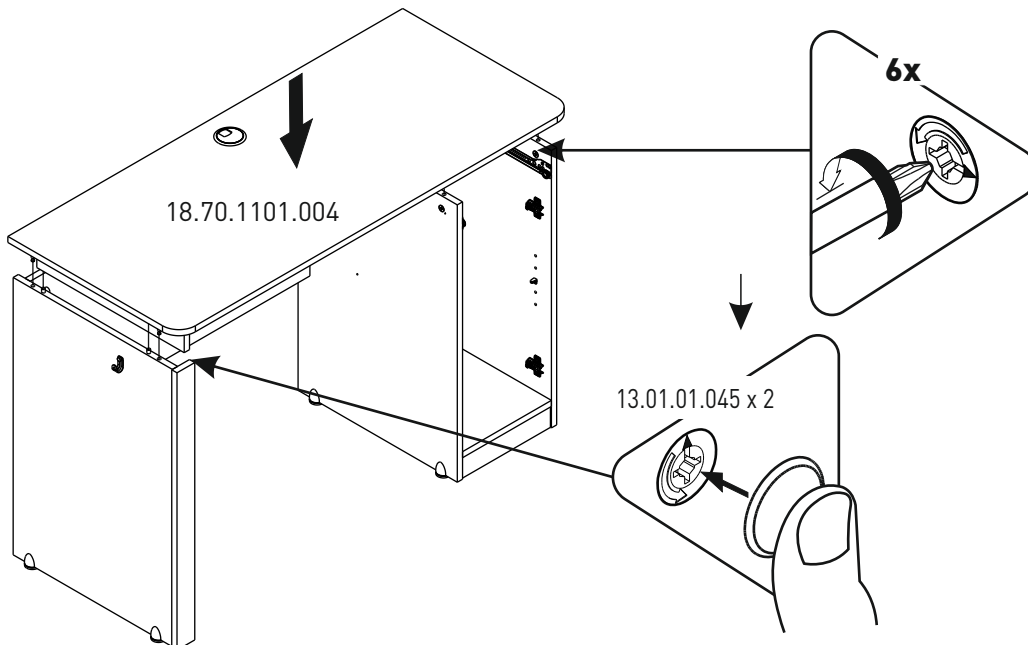
16



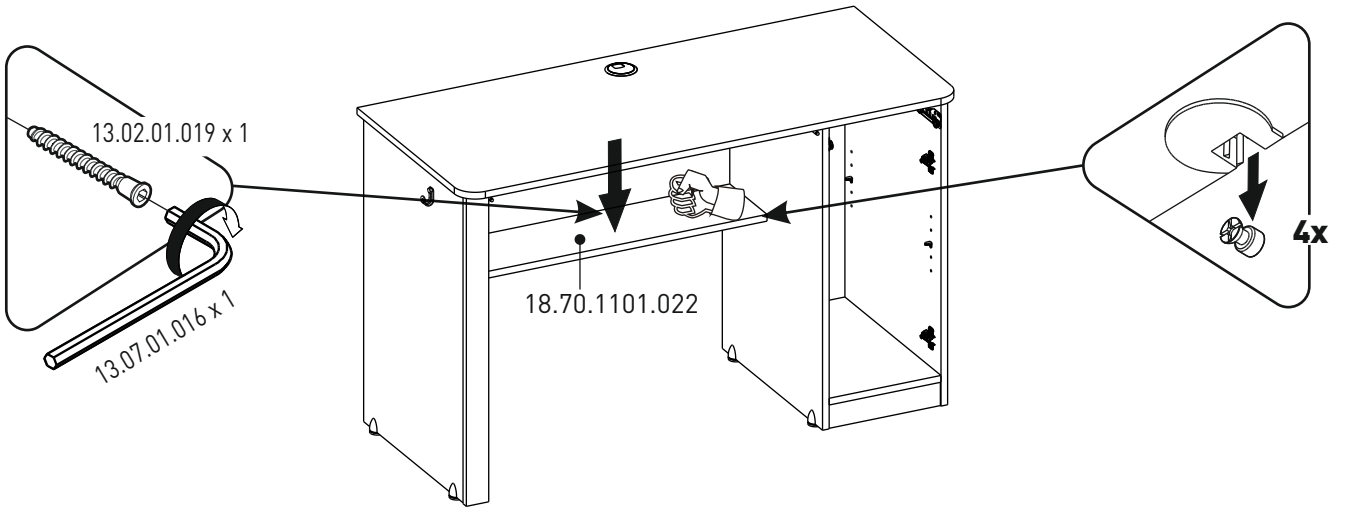
17



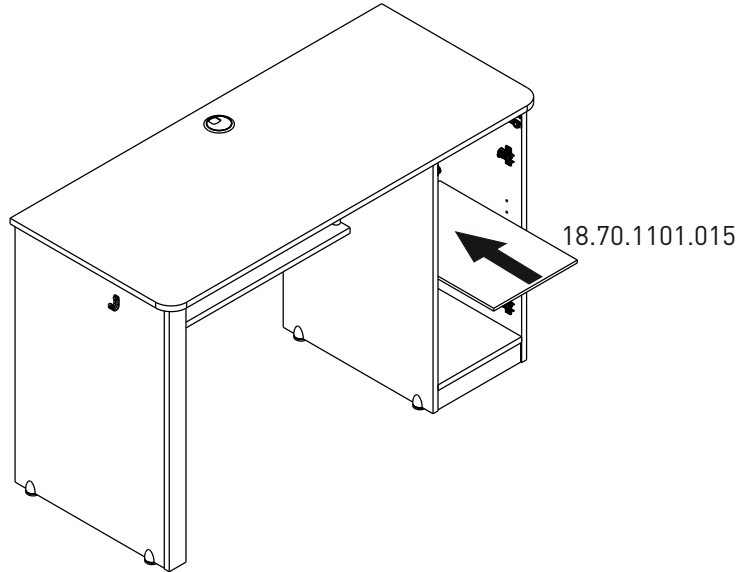
18



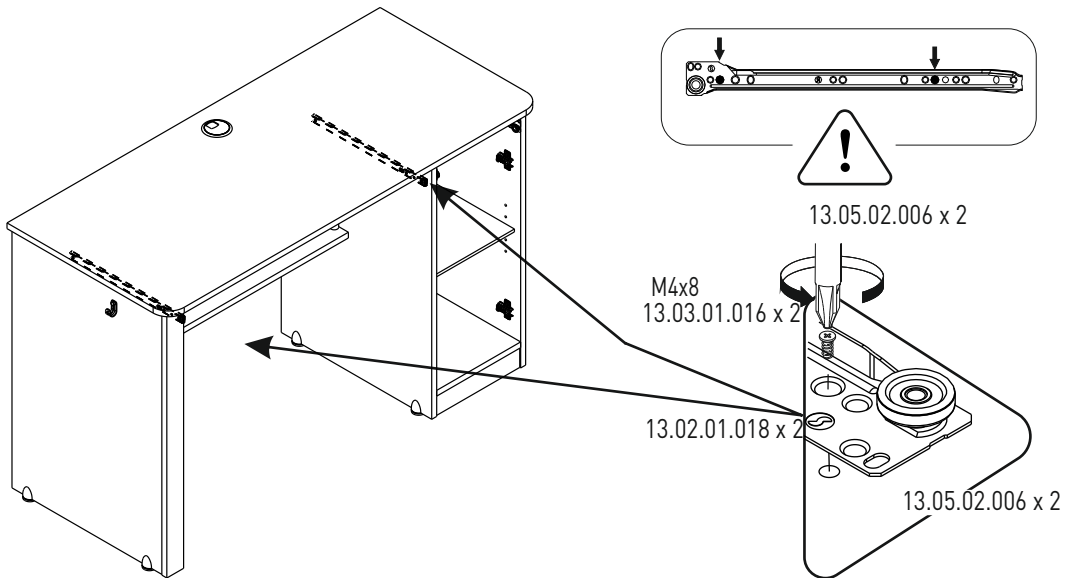
19



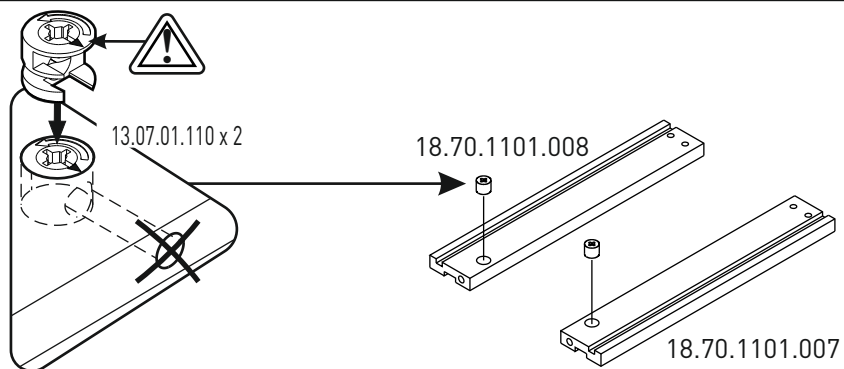
20



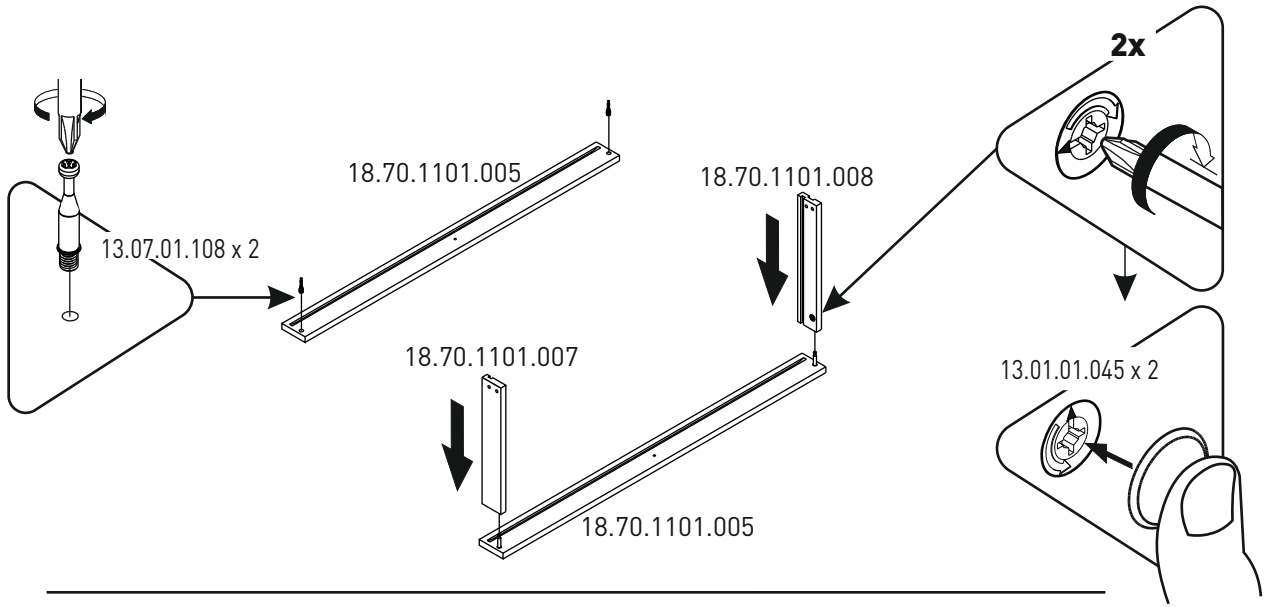
21



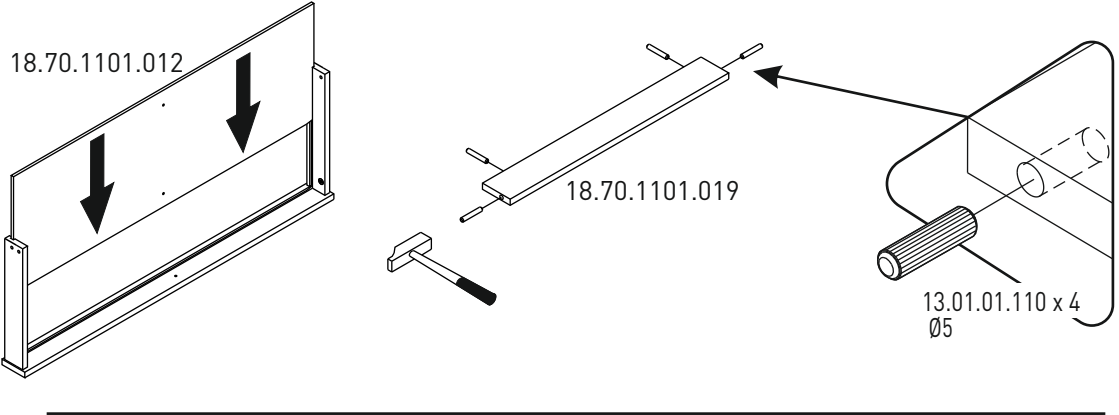
22



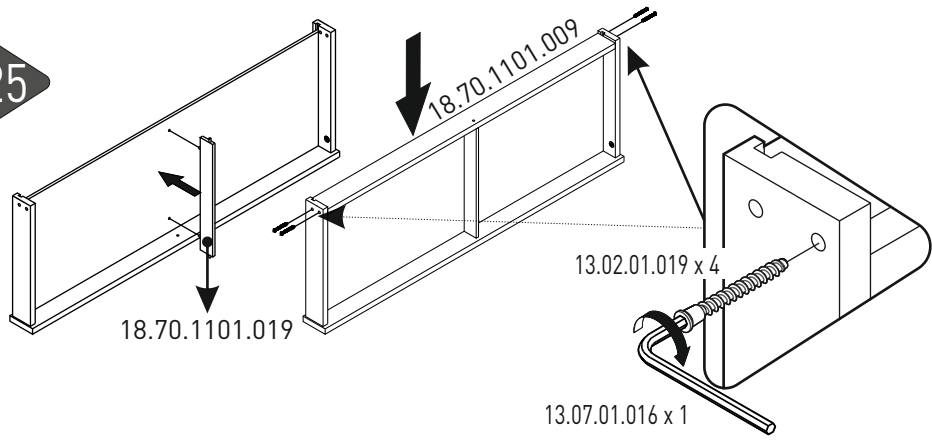
23



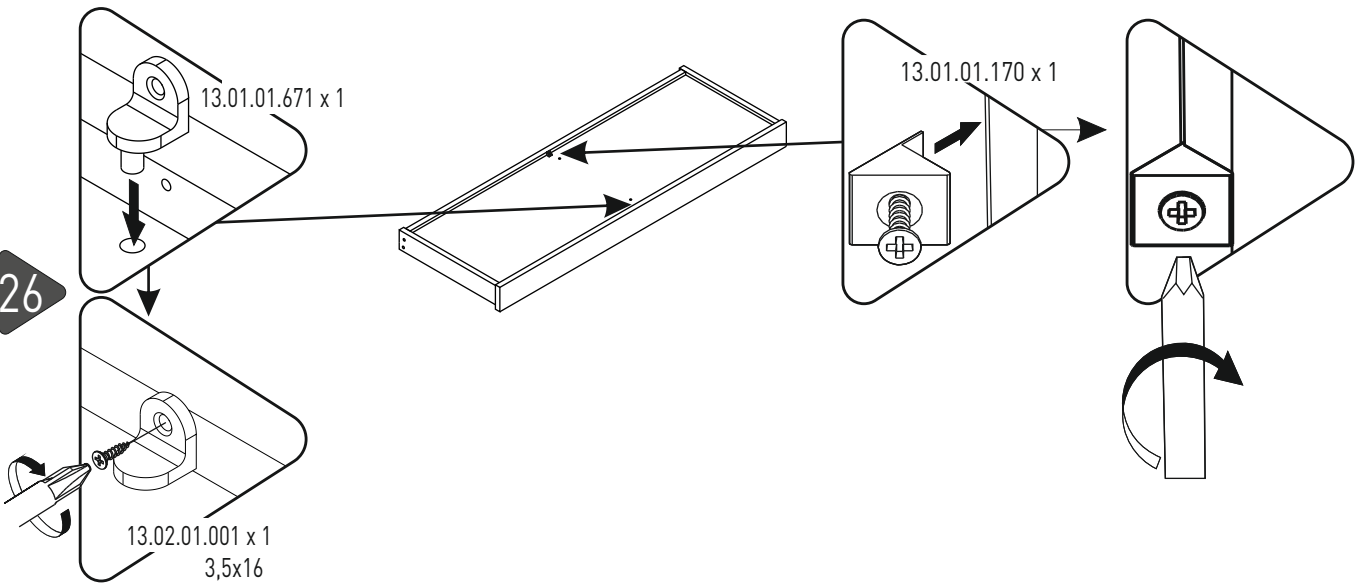
24



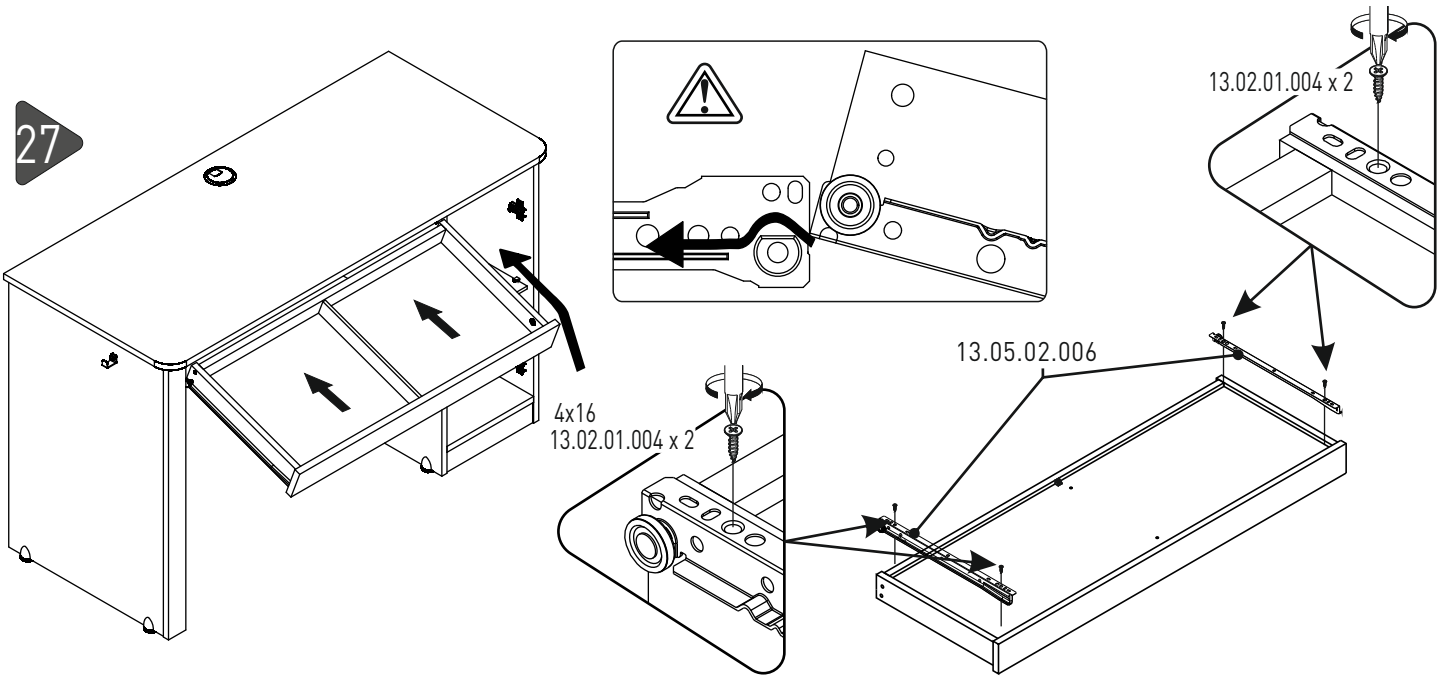
25



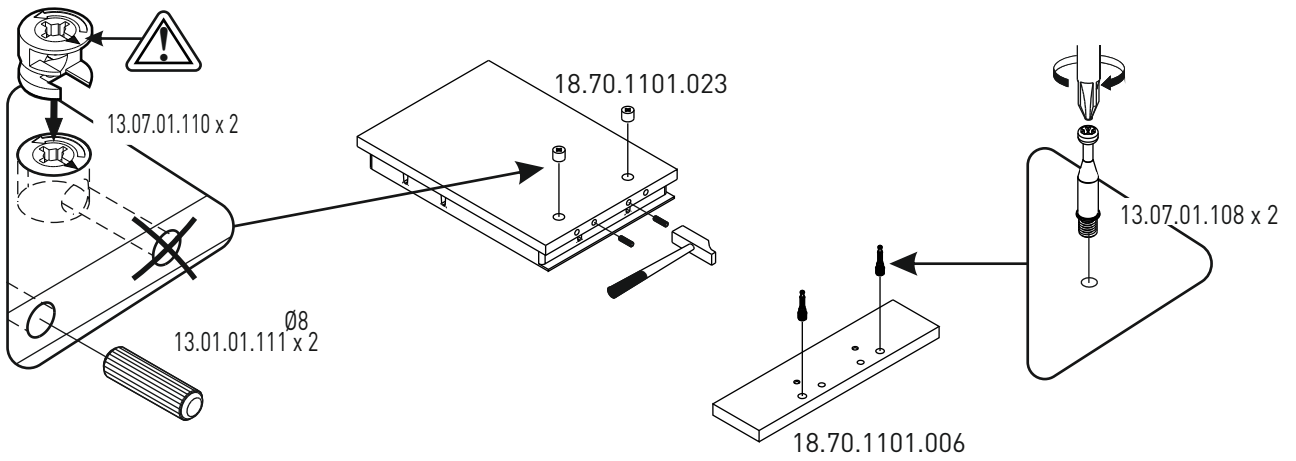
26



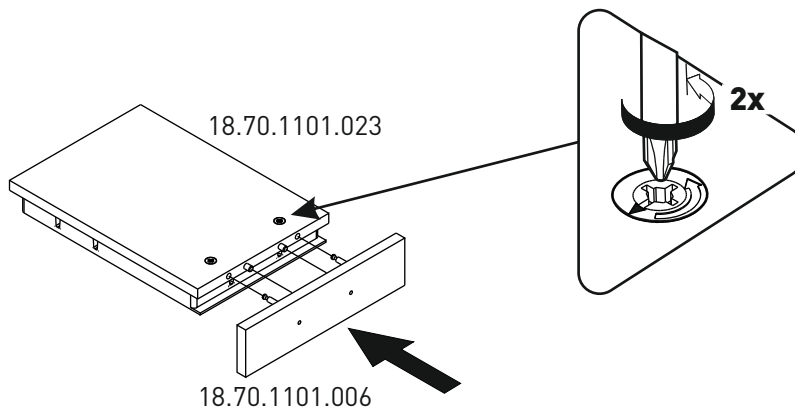
27



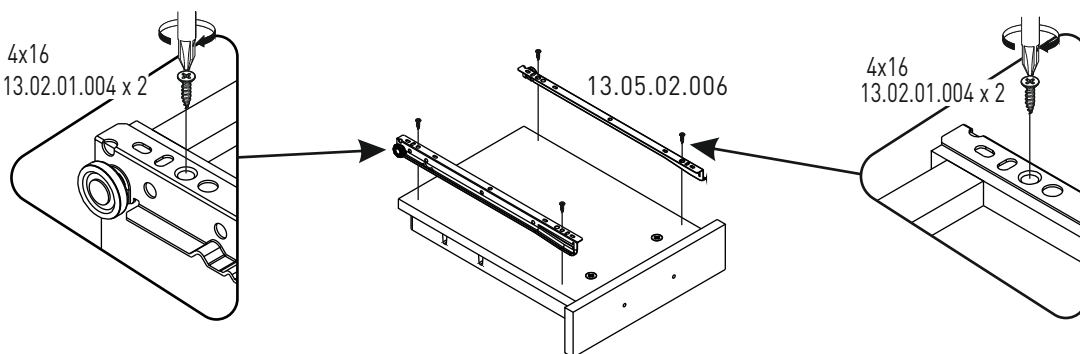
28



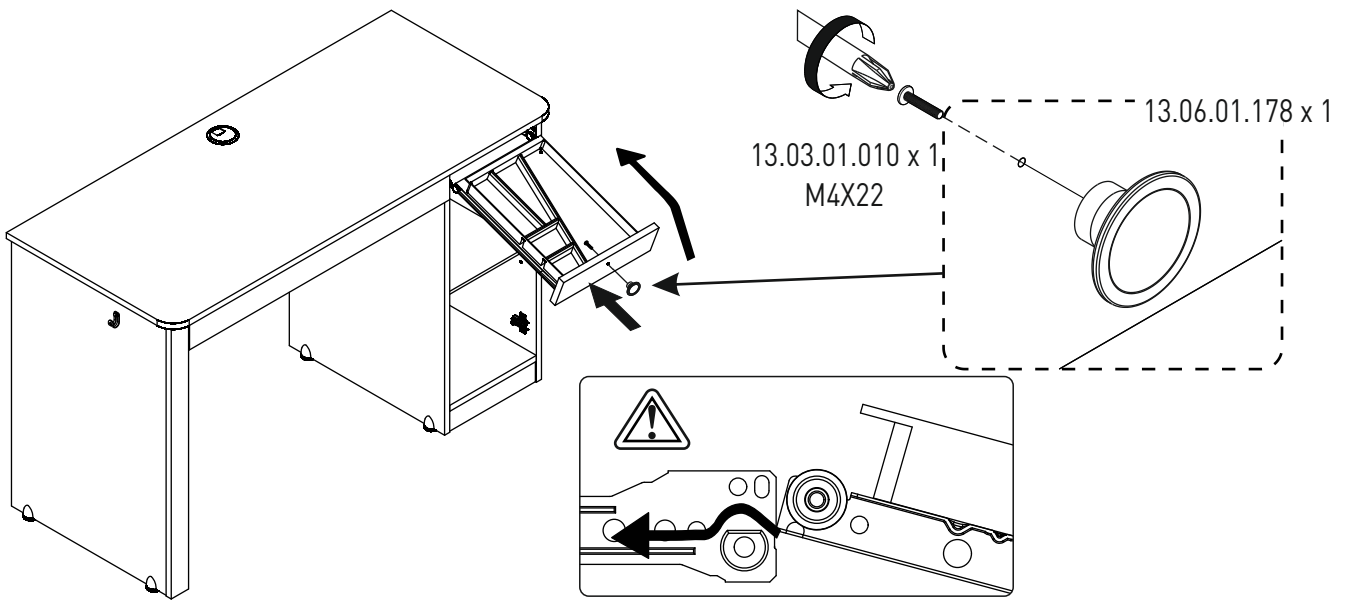
29



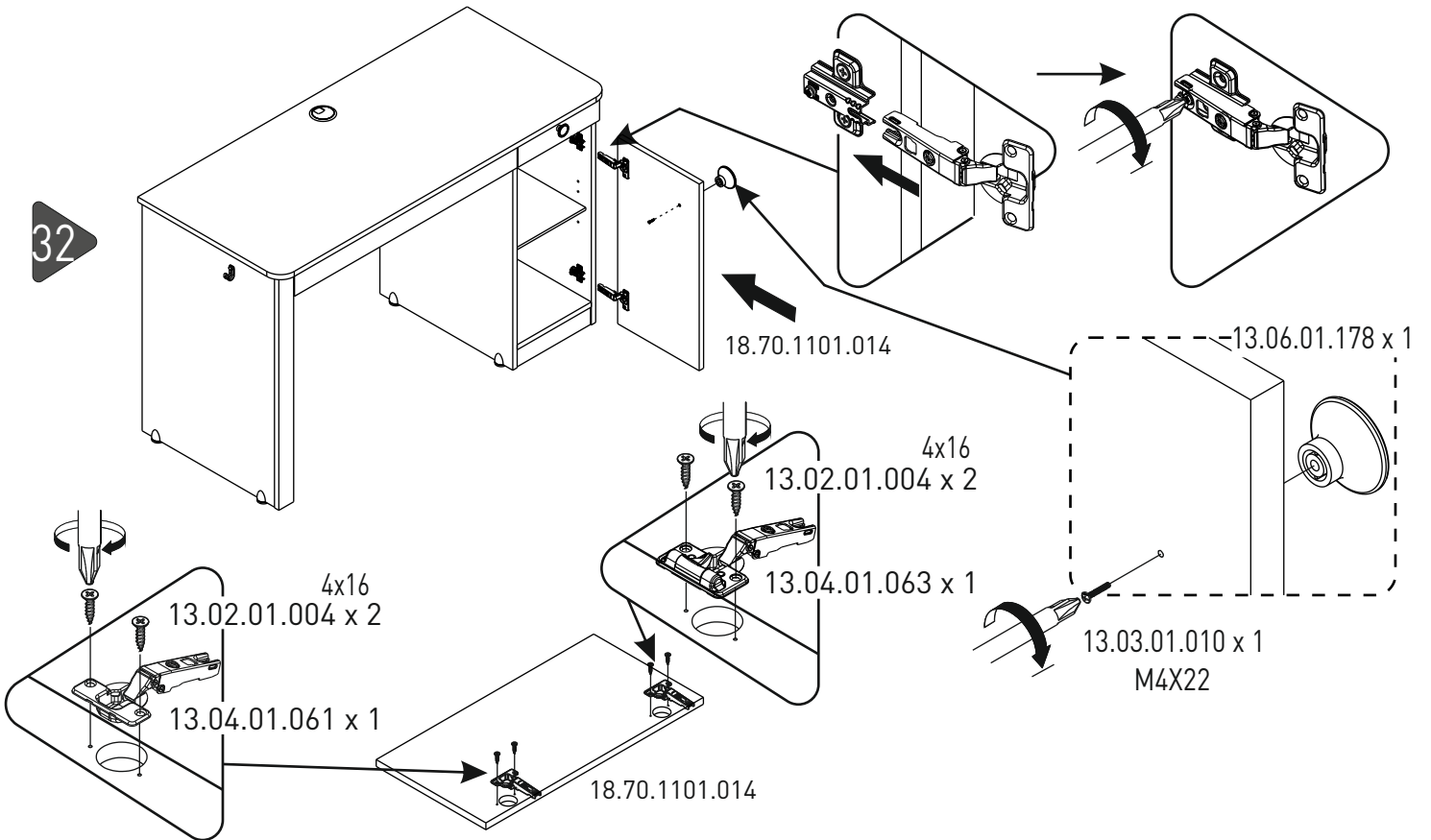
30



31



32



i

