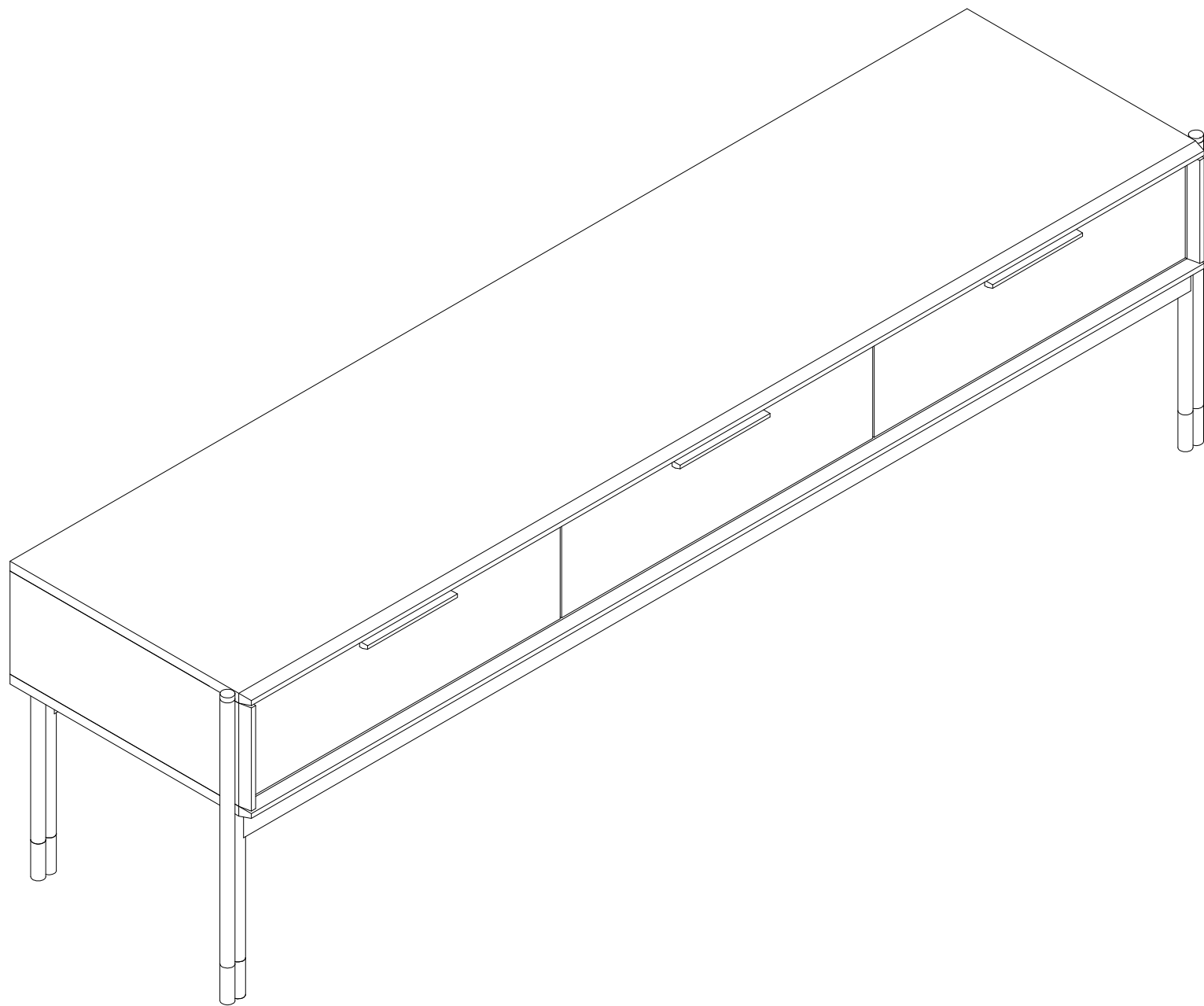
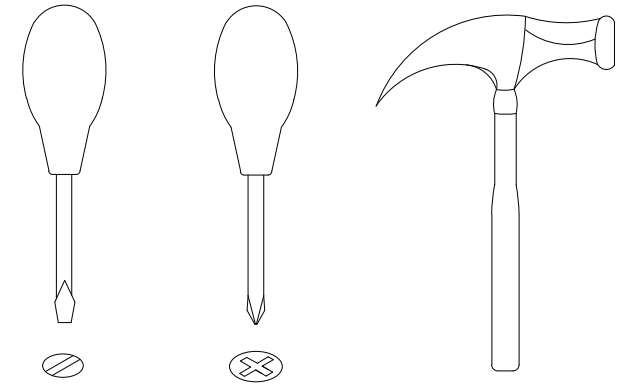
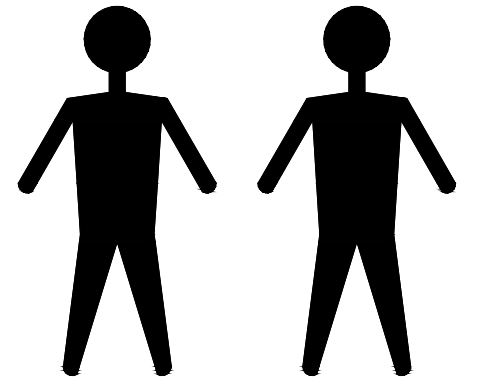


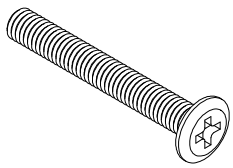
MDI. TV. BS. 13



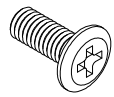
MDI. TV. BS. 13



A x24
Spec: $\phi 14 * \phi 8$



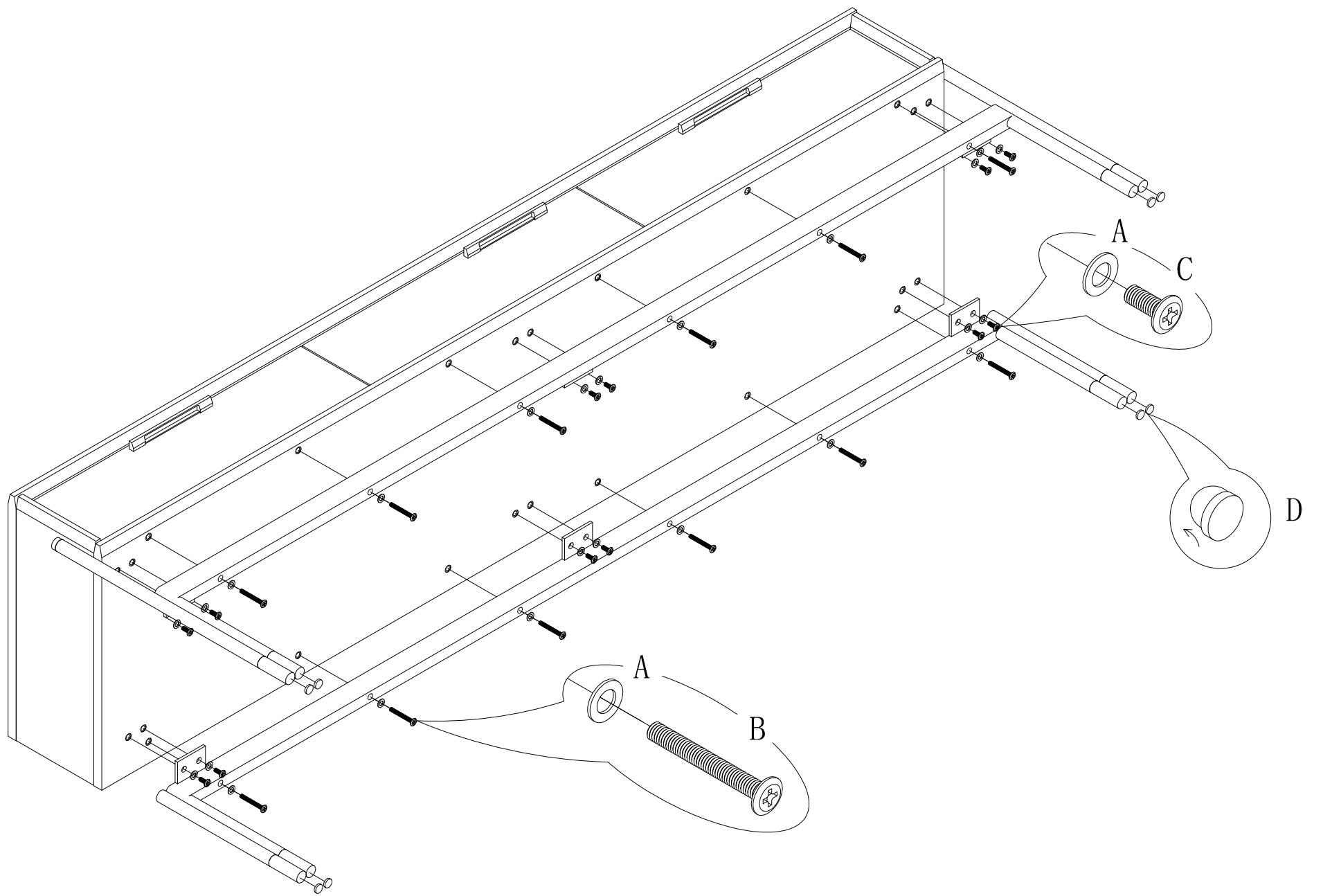
B x12
Spec: M6*50



C x12
Spec: M6*15



D x8
Spec: $\phi 15$



1