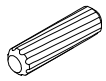
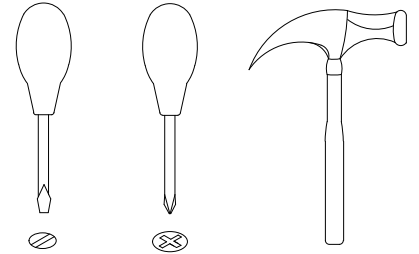
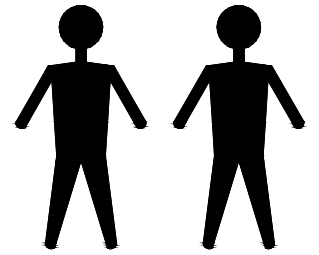
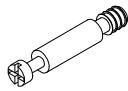


MDI. WR. PN. 29



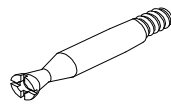
A x56
Spec: $\varnothing 8 \times 30$



B x34
Spec: $\varnothing 7 \times L30$



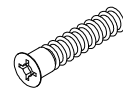
C x34
Spec: $\varnothing 15 \times H12$



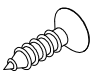
D x12
Spec: $\varnothing 7 \times L48$



E x12
Spec: $\varnothing 15 \times H15$



F x4
Spec: $M7 \times 38$



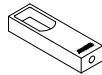
G x30
Spec: $3.8 \times L16$



H x24
Spec: $\varnothing 5 \times L19$



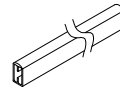
I x24
Spec: $\varnothing 20 \times H12$



J x2
Spec: $L63 \times W20$



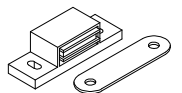
K x2
Spec: $\varnothing 5 \times L30$



L x1
Spec: $L1112$



M x46
Spec:



N x6
Spec:



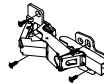
O x12
Spec: $\varnothing 3.5 \times L16$



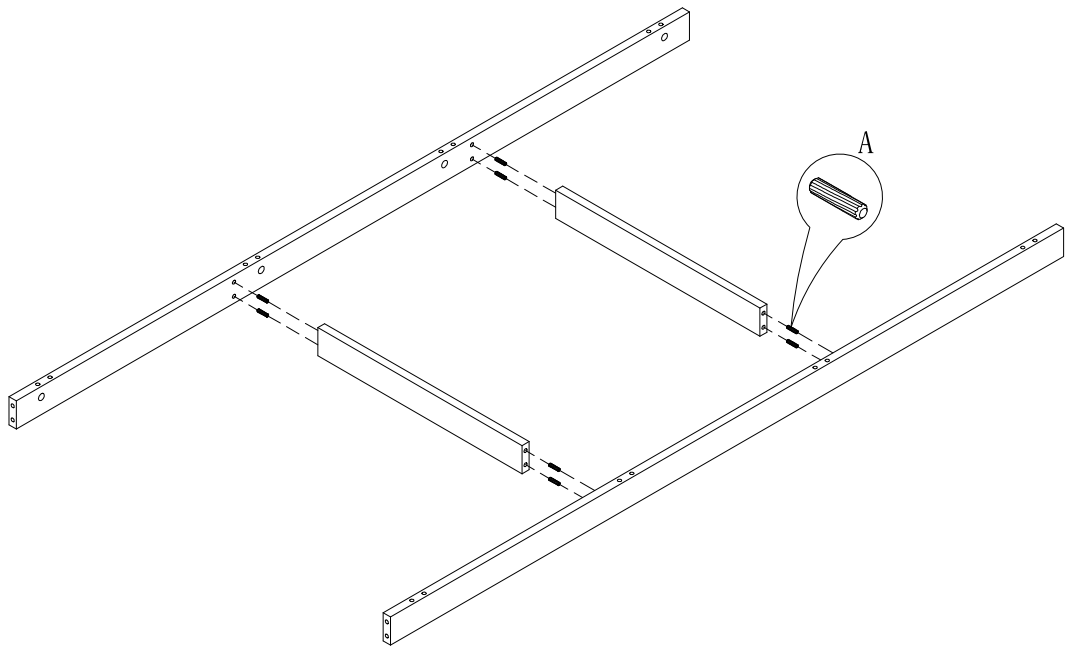
P x12
Spec: $\varnothing 3.5 \times L11$



Q x10
Spec: 088#

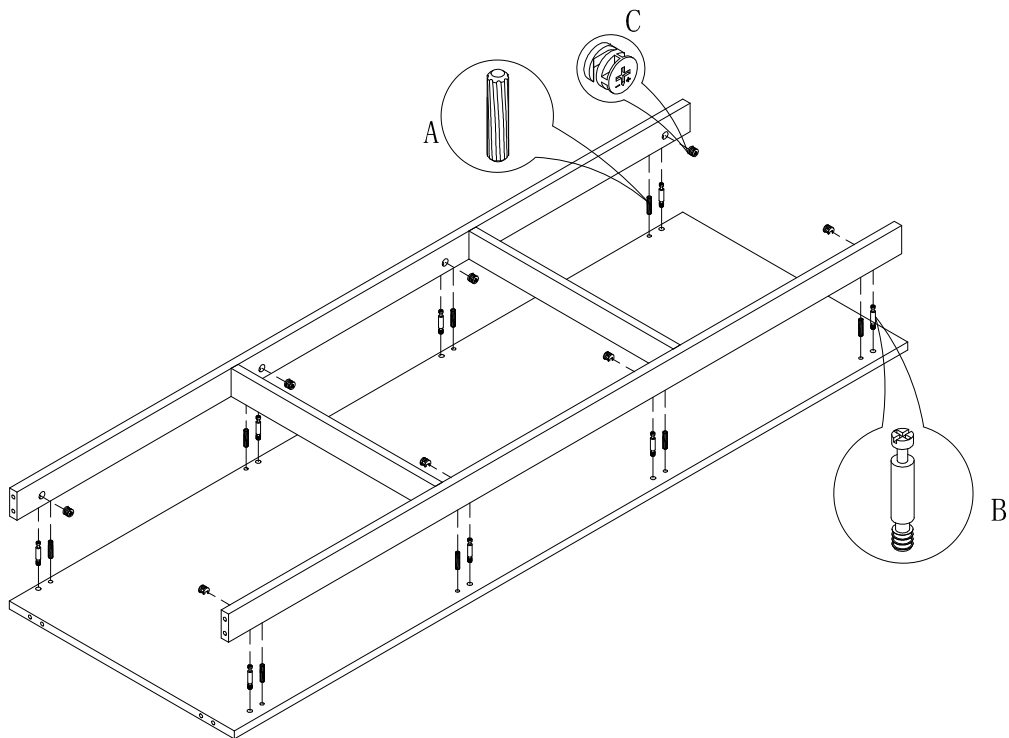


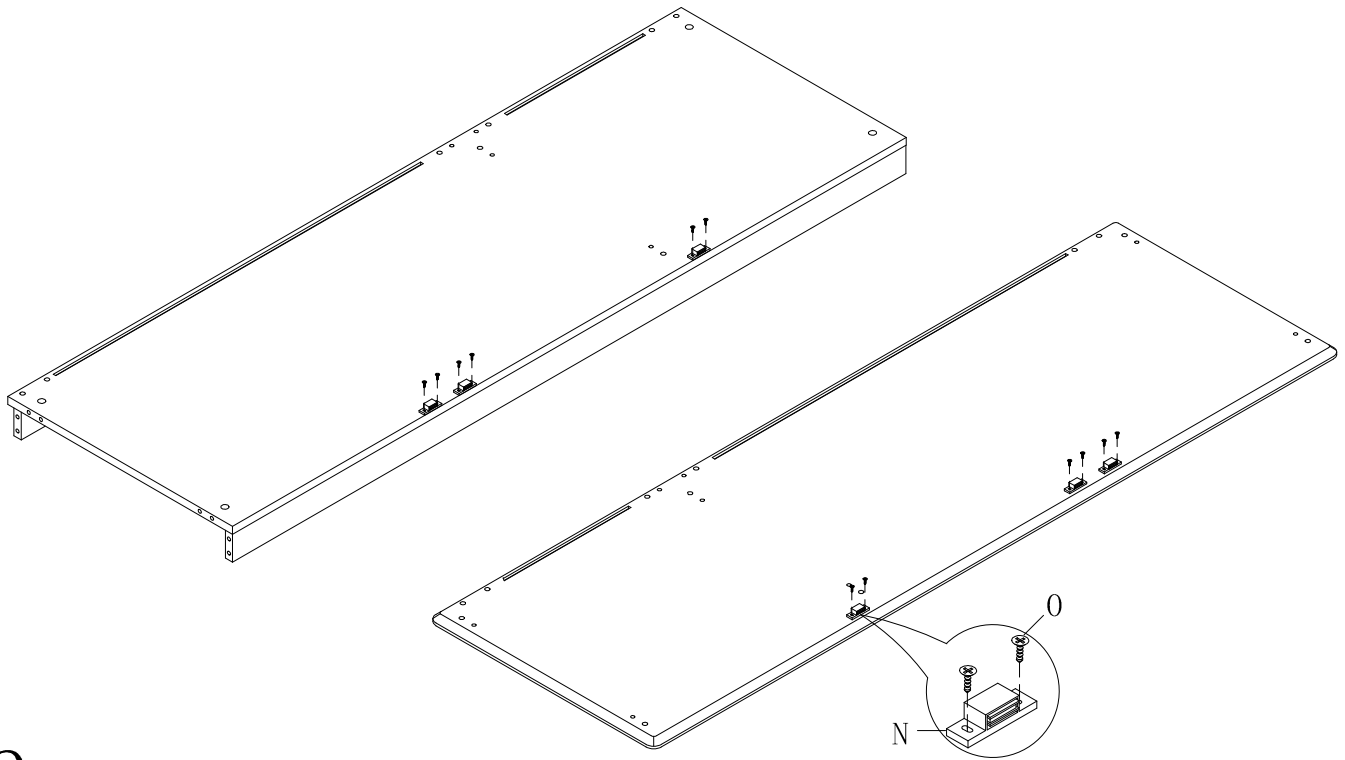
R x5
Spec: 078#



1

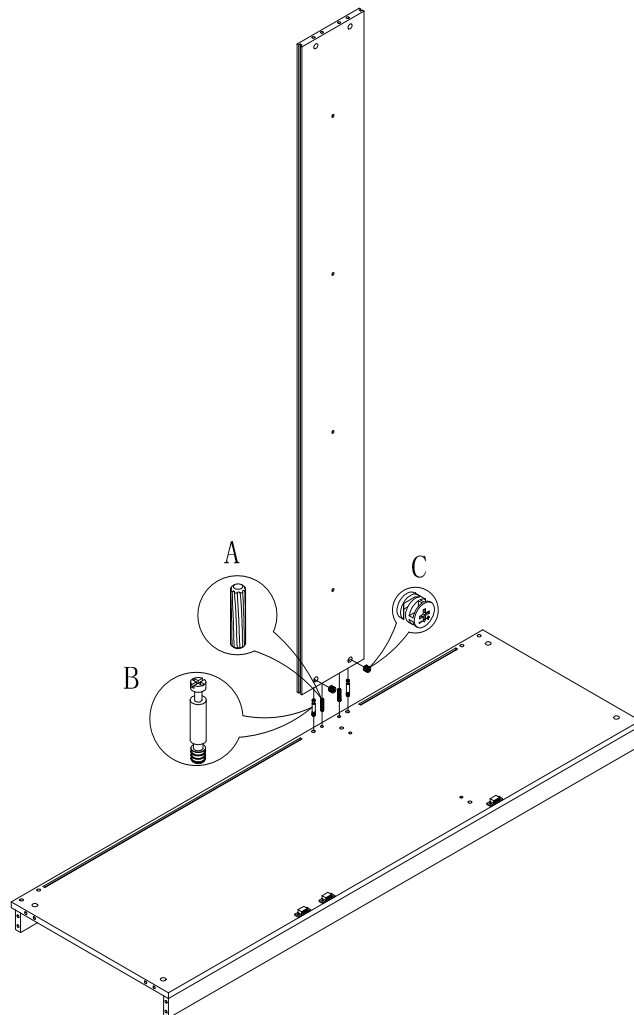
2



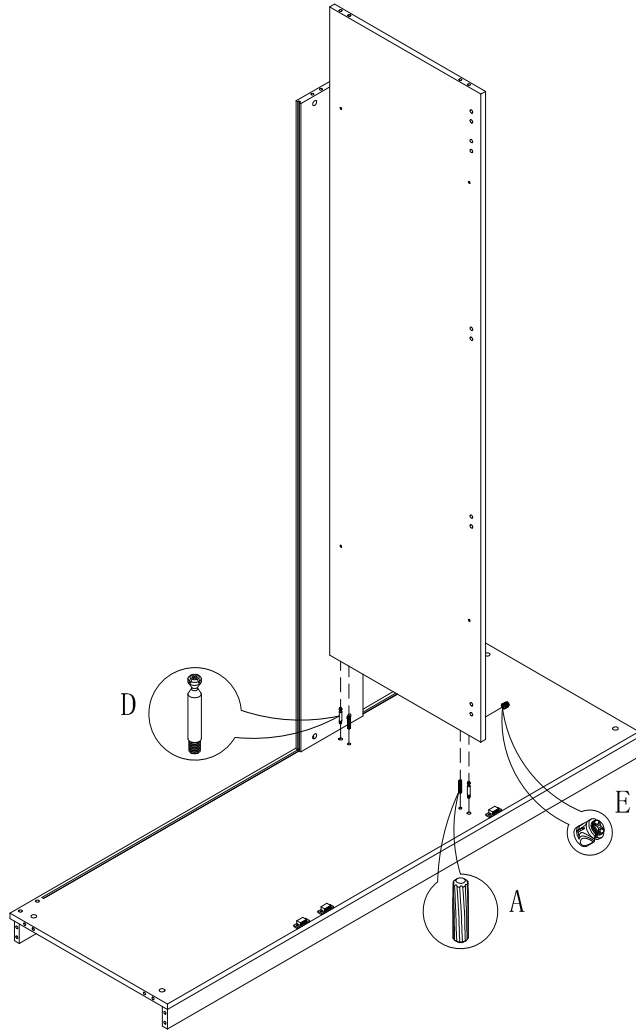


3

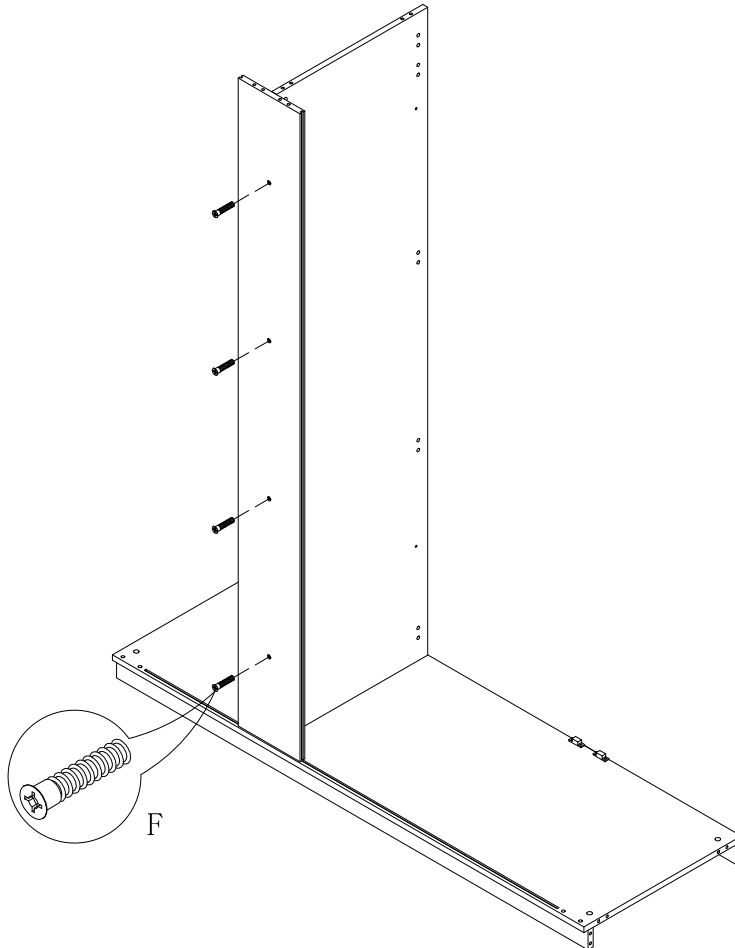
4

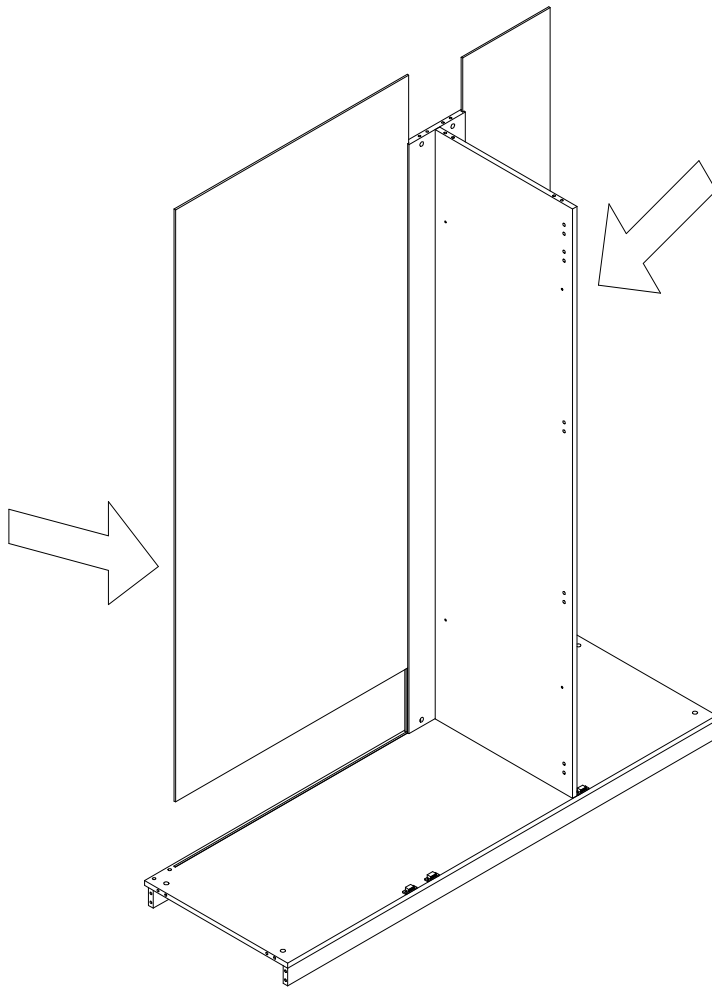


5



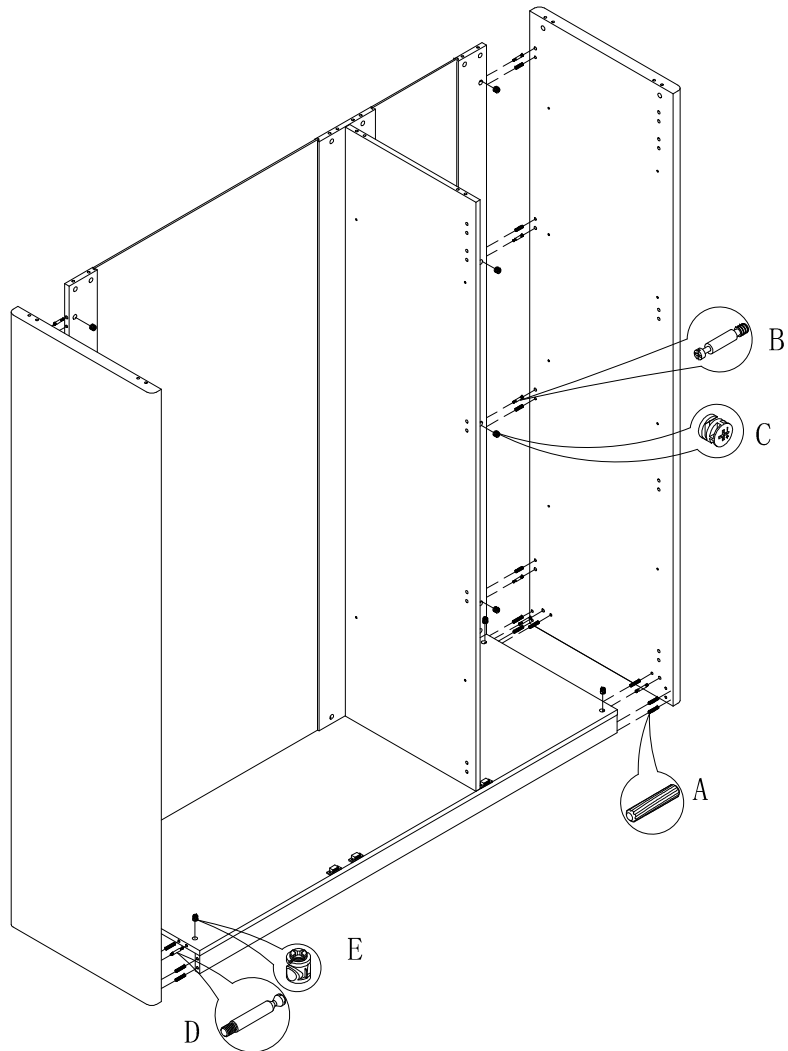
6

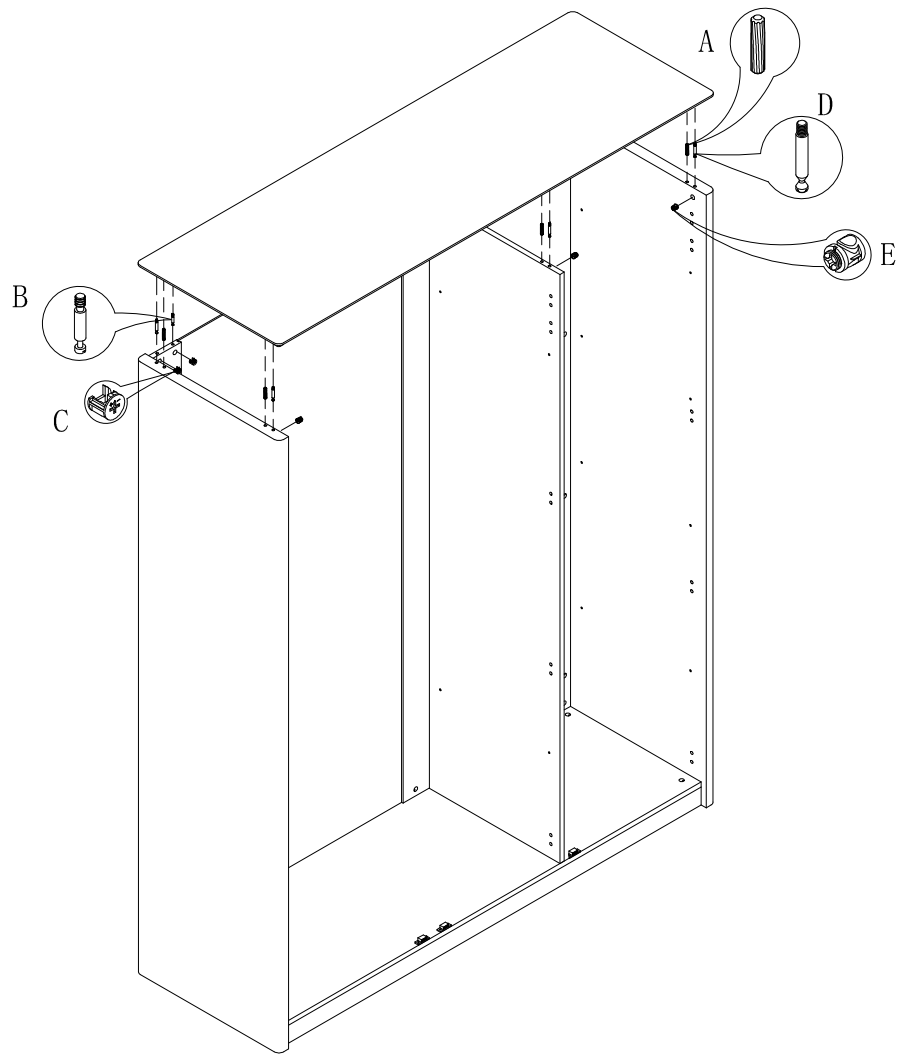




7

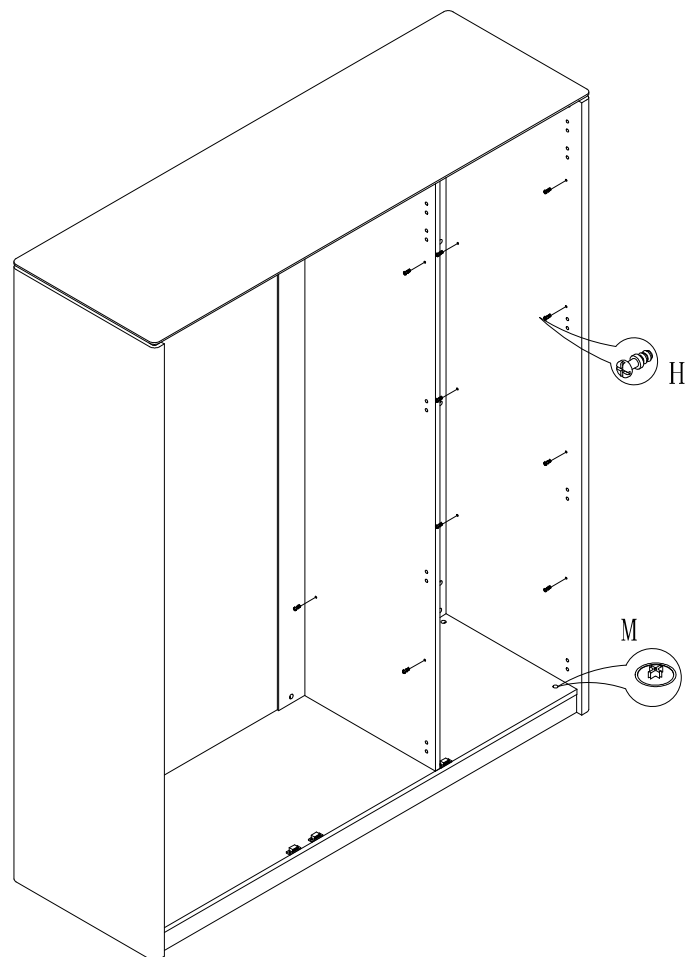
8

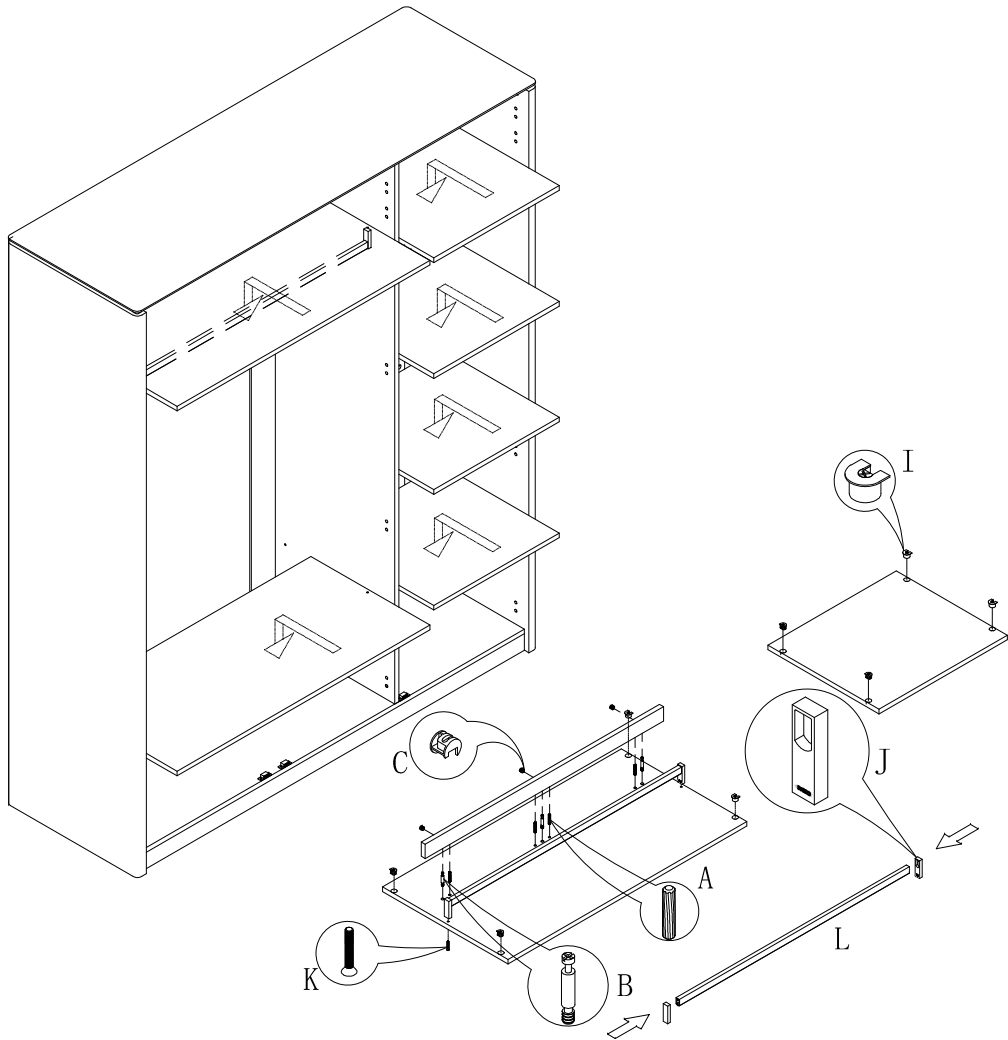




9

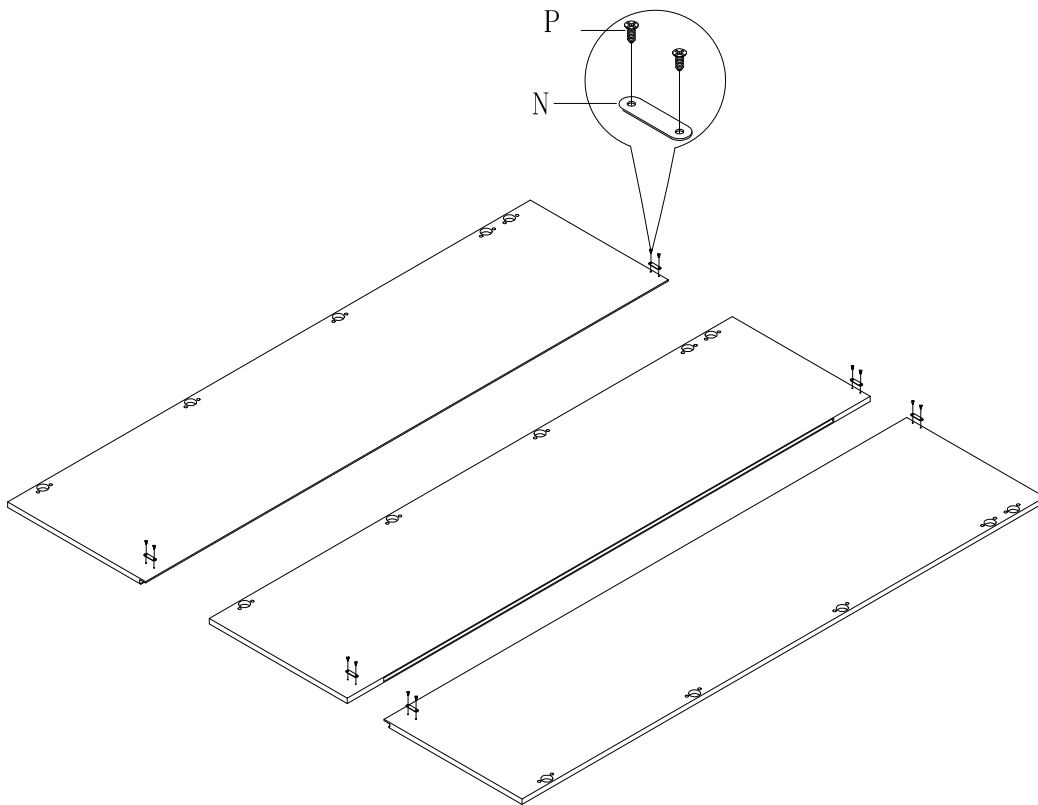
10

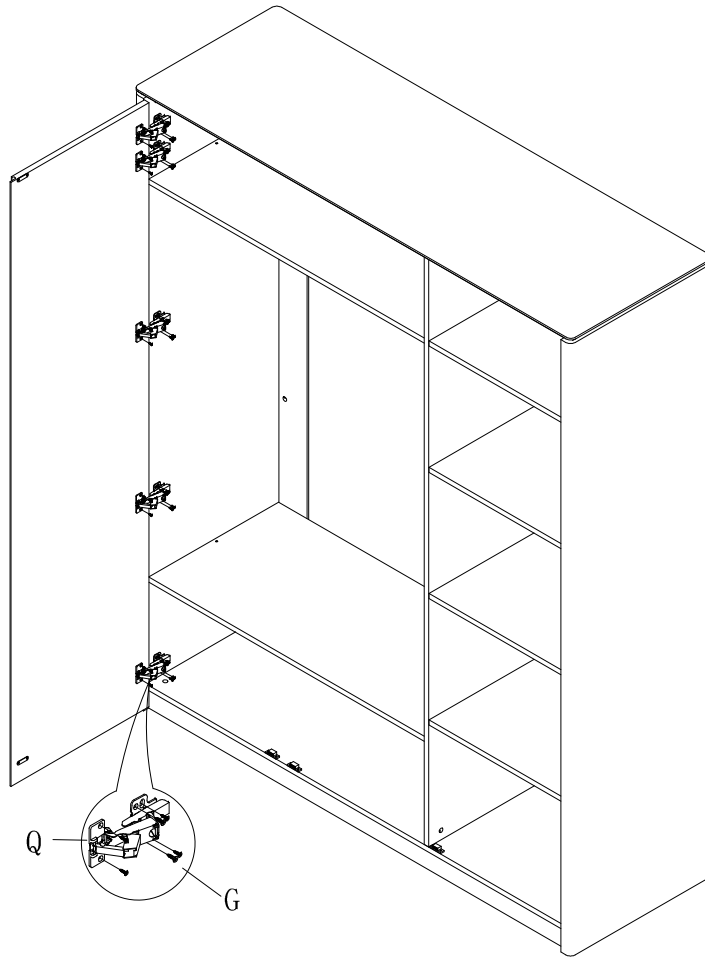




11

12





13

14

